

# NOVIUS Lab Electronic Health Information (EHI) Export

## Overview of the NOVIUS Lab Electronic Health Information Export

The Electronic Health Information Export feature enables an authorized user to perform an export of the Electronic Health Information (EHI) in accordance with the requirements set forth in 170.315(b)(10) of the Office of the National Coordinator (ONC) 2015 Edition Health IT Certification – Cures Update program. An authorized user can export the Electronic Health Information for a single patient or for all patients. This feature can be useful when a patient wants to share their health records with another provider or institution or when performing a data migration to a new system.

The Electronic Health Information export file is a password-protected zip file containing human readable, tab-delimited data files. Each data file corresponds to a specific database entity or table.

Archived patient reports are included in the Electronic Health Information export file for a single patient. Previously archived patient reports are not included in the Electronic Health Information export file for all patients but can be exported through NOVIUS Lab offline archive processing.

### Terms to Know

Term	Definition
Cardinality	Cardinality sets minimum and maximum limits on relationships between tables. This is indicated on the Data Model diagrams by symbols on the relationship lines. See the Data Model section for more information.
Column	Contains the data elements of a table. A column has a datatype and length and may have associated value constraints.
Column Name	Contains the physical name for each column.
Data Relationship	A data relationship is diagrammed as a connecting line between two tables. It defines the cardinality and referential integrity between the two tables. See the Data Model section for more information.
Table Name	Contains the physical name for the table.
Dynamic Table	Table that contains operational data such as patient demographics, orders, and test result information.
Foreign Key	A column (or columns) that indicates a relationship between one table and another table. A column that is a foreign key in one table is a primary key in the related table. See the Foreign Keys section for more information.
Primary Key	A column or a set of columns that uniquely identifies a row of a table. See the

Primary Keys section for more information.

Synonym	A column that exists with several different names in the database. The original name (for example, hosp) typically has additional descriptive words prepended (for example, perf_hosp) to clarify the meaning, especially when the column exists multiple times in the table. For example, the sched_indv_test table contains rqst_hosp, ord_hosp, and perf_hosp. Each is a synonym of hosp, and a foreign key to the hosp table.
System-defined Table	Table that contains system-defined data that is required by NOVIUS Lab. The information in this table cannot be changed.
Table	A table defines a person, place, thing, or concept. This construct is used to define major groupings of related data that may then be associated to other major groupings.
User-defined Table (UDT)	Table that contains user-defined configuration data.
Individual Test	An individual test is a performable single test. It can be contained in a test group or test set. Results can be entered for individual tests only. For example, NA, K, WBC, and GRAM STAIN are commonly defined individual tests.
Test Group	Test group contains two or more related individual tests. For example, LYLES and CBC are commonly defined test groups.
Test Set	Test set contains two or more orderable individual tests, two or more orderable test groups, or a combination of orderable individual tests and orderable test groups.
Specimen	Specimen refers to the substance or material obtained for laboratory testing. A specimen may contain individual orderable tests, collectable test groups, and/or test set components from various orders for a visit with the same scheduled collection date and time, anticipated collection organization, source, and receipt state. Each specimen has a user- or system-assigned specimen identifier.
Sample	Sample refers to the container designed for the collection and transport of specimens. A specimen may contain one or more samples. Each sample has a system-assigned sample identifier.

## Data Types

Data types are used to provide additional information about attributes. The following types are used.

CHAR (character) for attributes that contain alphanumeric data at exactly the specified length.

DATETIME for attributes that contain dates from 1700 forward and times to the nearest second.

INT (integer) for whole numbers from -2,147,483,648 to +2,147,483,647. If a column with a datatype of int contains 0, this indicates a system default value, and the column entry should be considered null (not valued).

SMALLDTIME for attributes that contain dates from 1900 forward and times to the nearest minute.

SMALLINT (small integer) for whole numbers from -32,768 to +32,767. If a column with a datatype of smallint contains 0, this indicates a system default value, and the column entry should be considered null (not valued).

VARCHAR (variable character) is a data type that has a maximum specified length but will conserve space when the value placed in the attribute is less than the specific length.

TEXT for attributes that contain large amount of "free text" entered by the user.

TINYINT (tiny integer) for whole numbers from 0 to 255. If a column with a datatype of tinyint contains 0, this indicates a system default value, and the column entry should be considered null (not valued).

### **Naming Conventions**

Every table and column has a name in the database. Each table name must be unique within the table names in the database, and each column name must be unique within the table.

Each table or column name can be up to 30 characters and components of the name may be separated by underscores (for example, the test table, the test\_no column and the test\_id column).

The last part of a column name can tell you what type of data is stored in the column. Below are some of the naming conventions.

<b>If the Column Ends With</b>	<b>Description</b>
_cd	Code is a system-defined number that has meaning to NOVIUS Lab processing (for example, for ord_sts_cd, "1" = "cancelled" and "2" = "ordered"). If a column name ends with _cd, it is usually a primary key or a foreign key. See the Primary Keys section and the Foreign Keys section for more information.
_desc	Description is a detailed definition of the item.
_id	Identifier is an alphanumeric shorthand representation of an item that the user sees or defines (for example, M=Male, F=Female, and U=Unknown). An identifier is used in most User-defined Tables as the primary key.
_ind or _flag	Indicator can have one of two values (A Boolean Condition) for example, 0=No; 1=Yes.
_mne	Mnemonic is a unique identifier used to reference a particular item. (For example, Sun=Sunday, Mon=Monday). A mnemonic is used as an additional identifier in the status tables where the primary key ends with _cd and is typically the primary key in the system-defined tables.
_name	Name is the long name or the full description of the item.
_itn or _no	Number is a system-assigned number. If a column name ends with _no, it is usually a primary key or a foreign key. See the Primary Keys section and the Foreign Keys section for more information.

### Primary Keys

A primary key uniquely identifies a row in a table. Each table may have one primary key. Many, but not all, primary keys are columns that end with `_id`, `_itn` or `_mne`. For example, `src_id` is a primary key in the `src` table. The `src_id` is a user-assigned value that identifies each source in the `src` table. For example, see the following sample values in the `src` table:

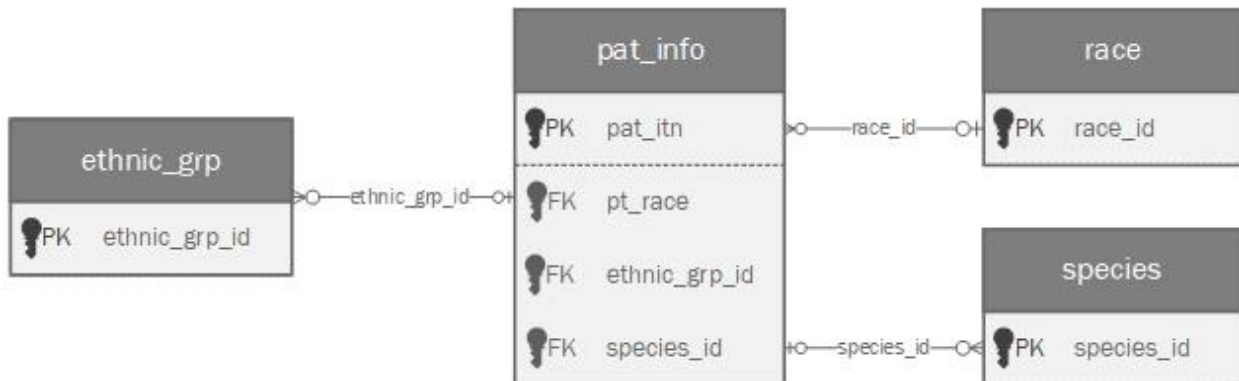
<code>src_id</code>	<code>src_name</code>	<code>avail_mne</code>
ABS	ABSCESS	ACTV
BF	BODY FLUID	ACTV
BLD	BLOOD	ACTV
CSF	CEREBROSPINL FLUID	ACTV
NASAL	NASAL	ACTV
SPUT	SPUTUM	ACTV

The data model diagrams and table listings indicate which column (or columns) is the primary key (PK) in a table.

### Foreign Keys

A foreign key indicates a relationship between two tables. A table that contains a column as a foreign key is linked to the table where that column is a primary key. The foreign key column name or synonym is used as a label for the relationship line between two tables.

A diagram showing the relationships between the four tables follows. In this example, ethnic\_group\_id, race\_id, and species\_id are foreign keys in table pat\_info.



The data model diagrams indicate which column (or columns) is a foreign key (FK) in a table.

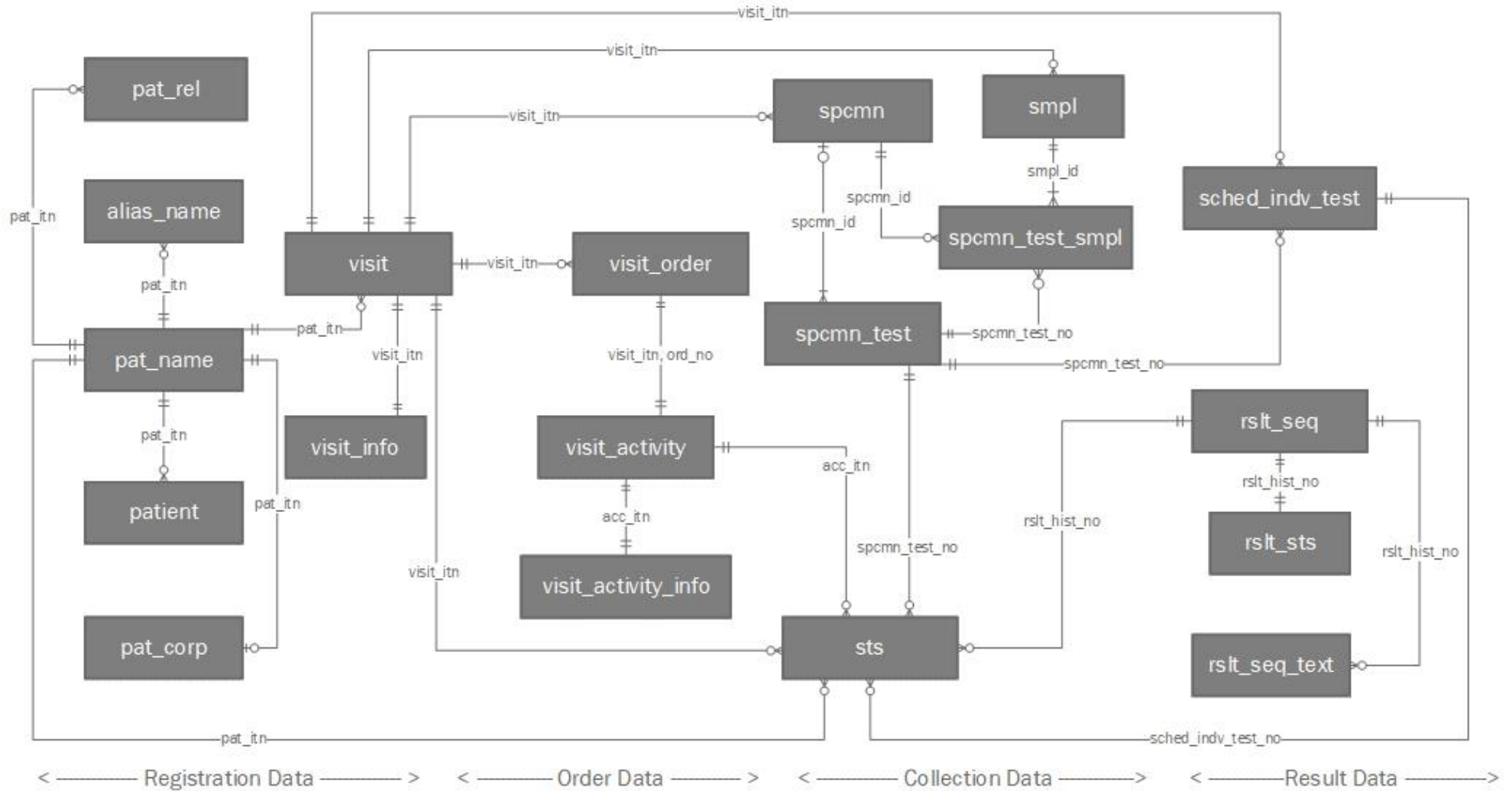
### Data Model

A data model illustrates data entities or tables, their attributes or columns and the relationships between entities. The data model diagrams shows the cardinality and data relationship between entities as a connecting line between two entities. Cardinality tells you the minimum and maximum number of times that an instance of an entity can be associated with instances of the other entity. This is indicated on the data model diagrams by symbols on the relationship lines. Relationships have two indicators. These are shown on both sides of the line. The attribute that connects two entities displays on the relationship line.

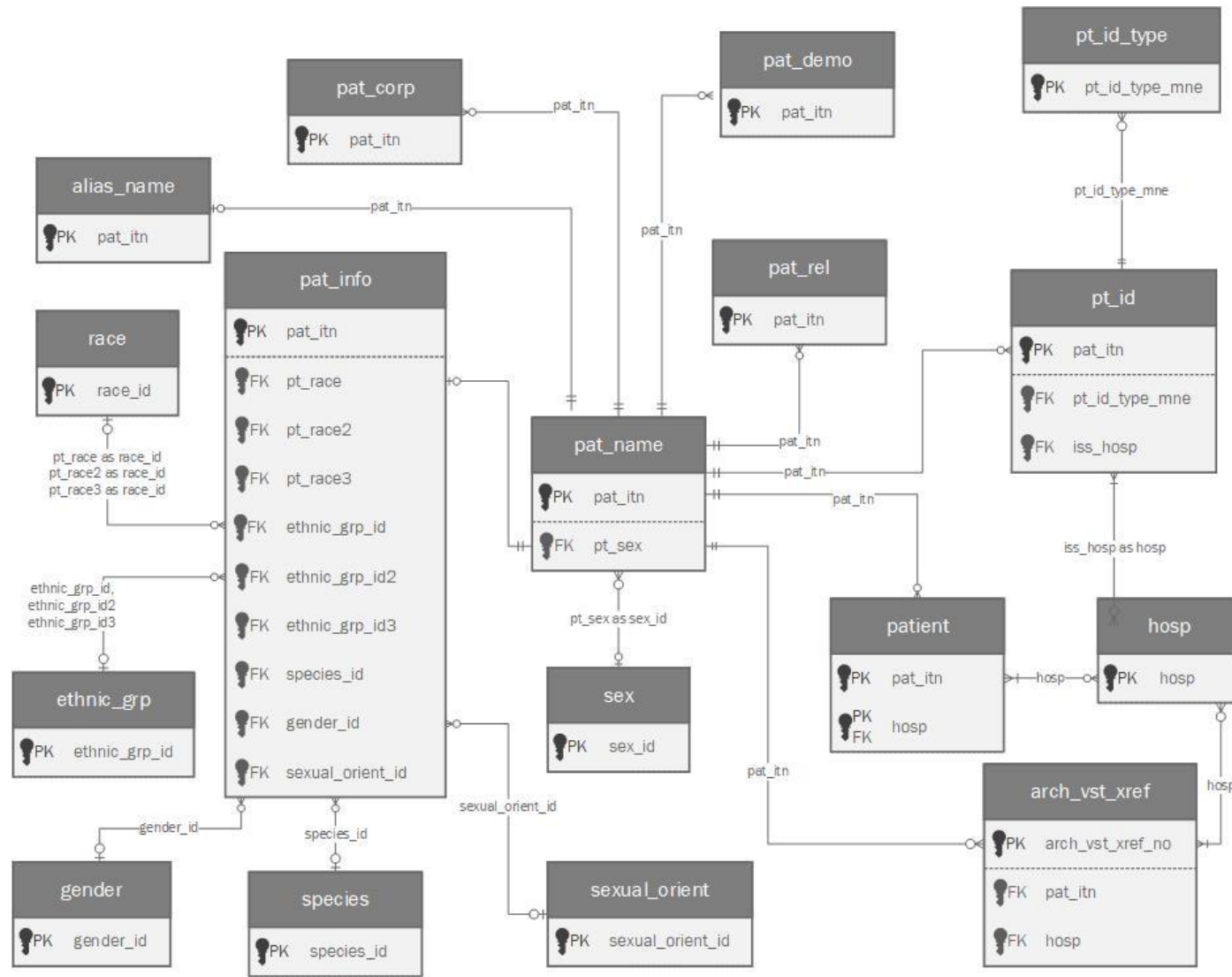
Below are the data relationships and their meaning.

Relationship Indicators	Meaning
—————	One
—————<	Many
—————	One (and only one)
—————○	Zero or one
—————<	One or many
—————○<	Zero or many

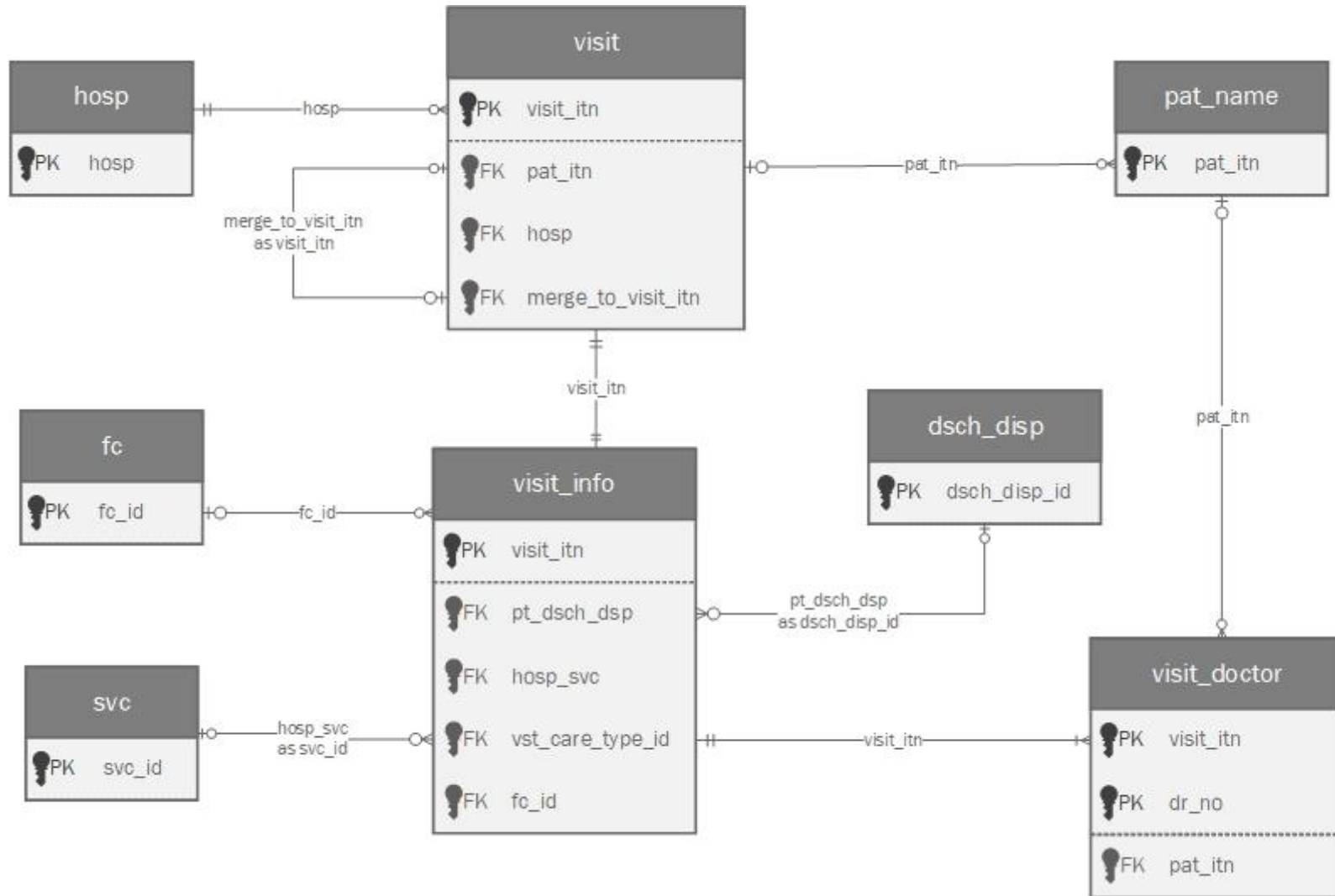
**Overview**



**Patient**

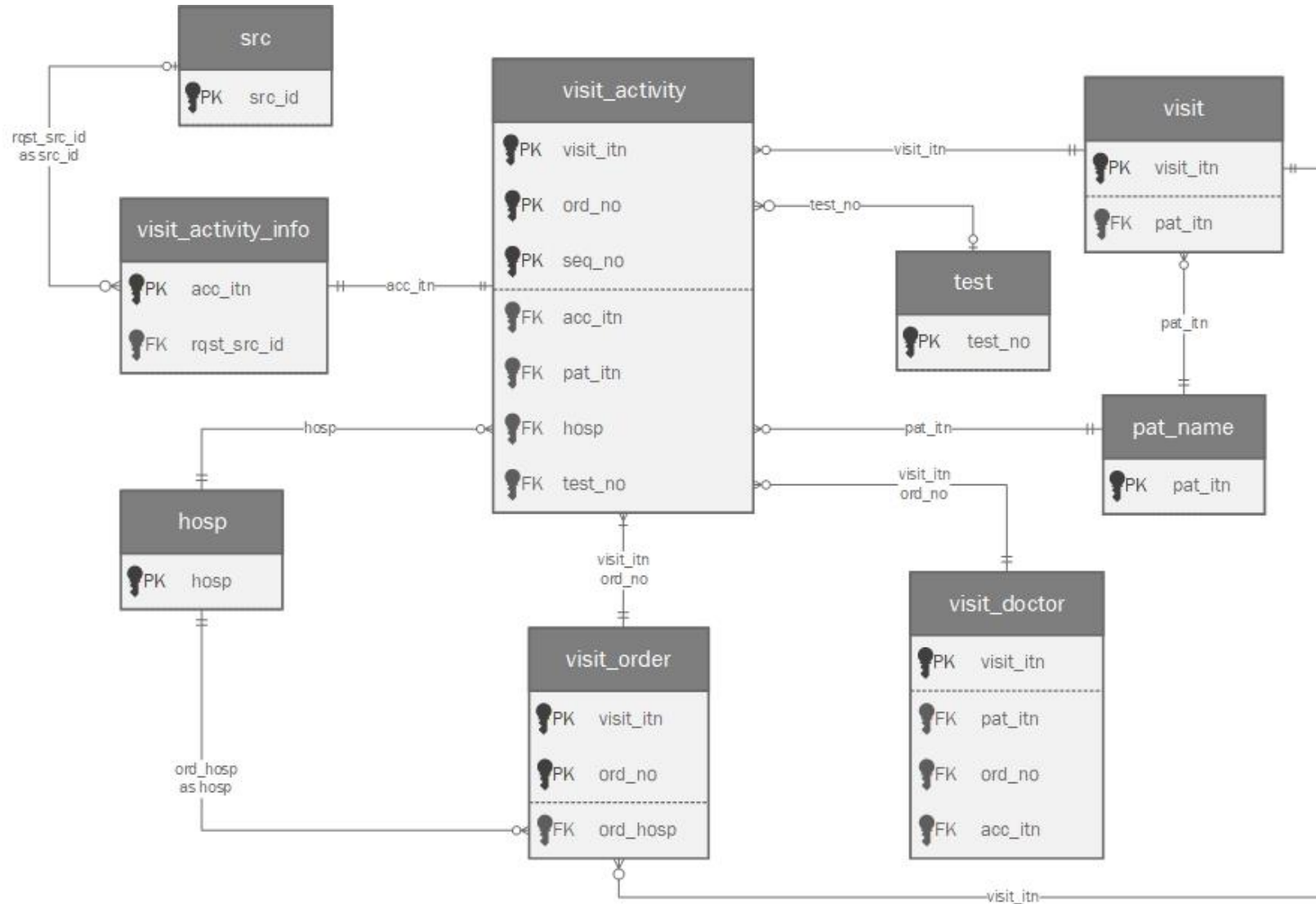


**Visit**

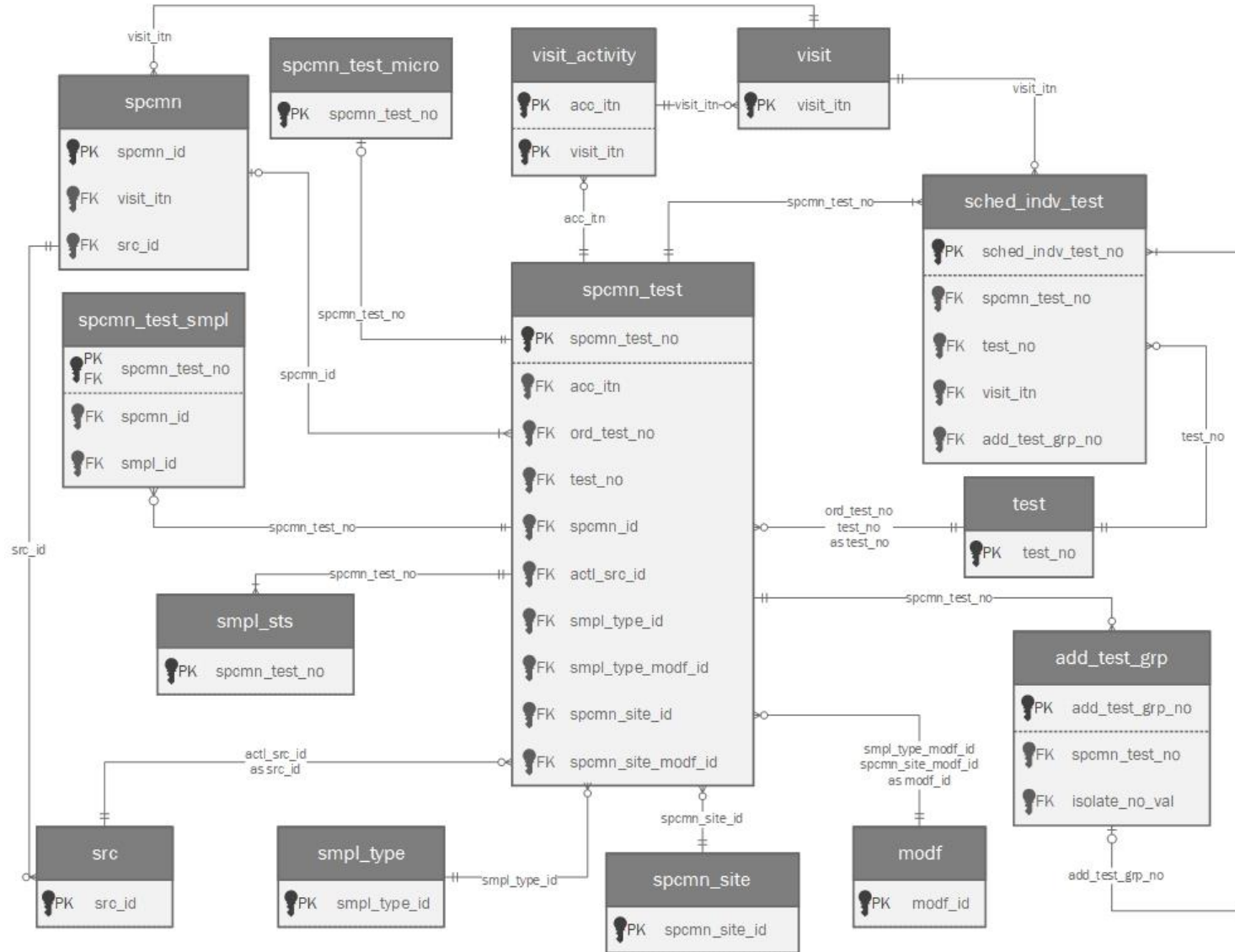




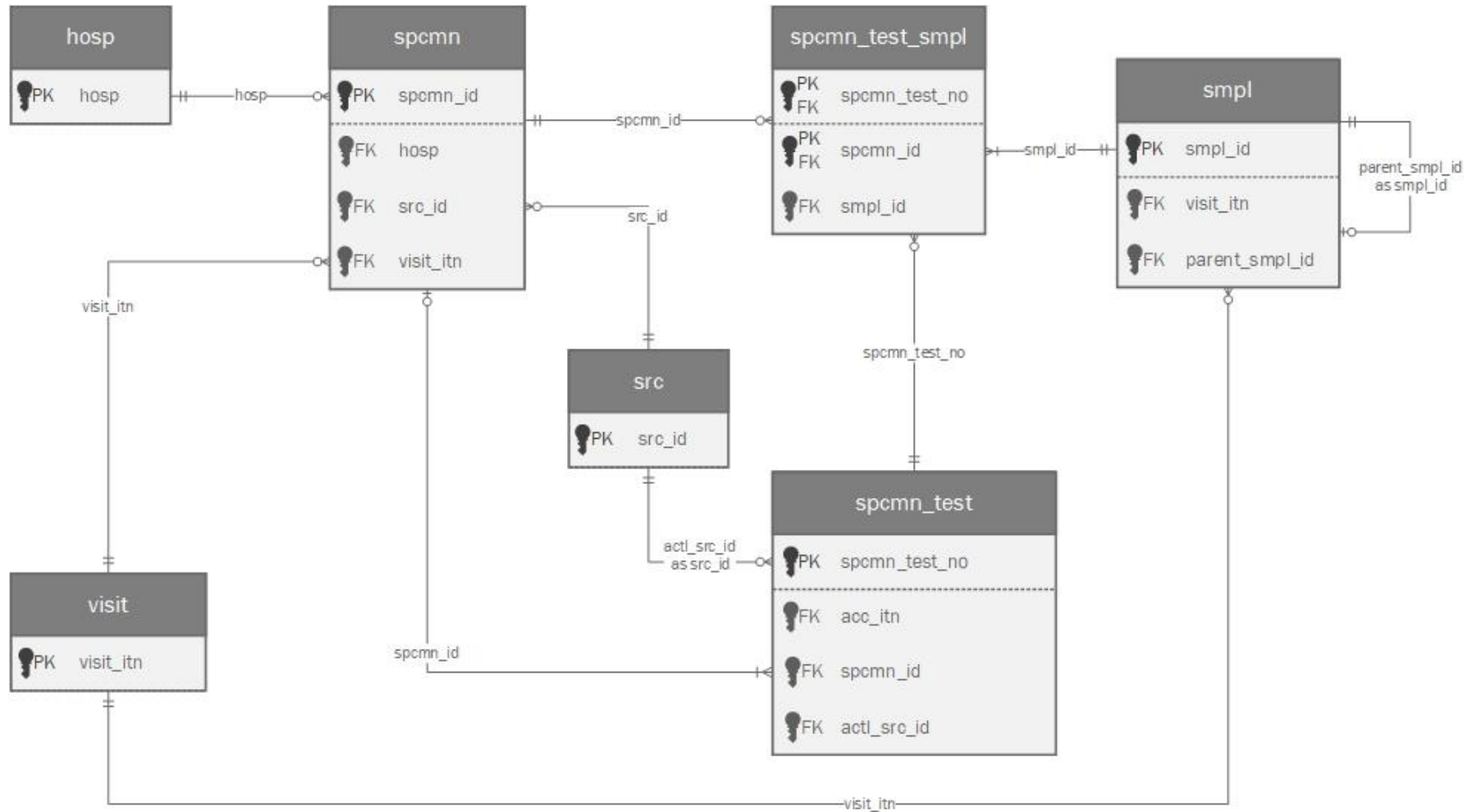
**Visit Order**



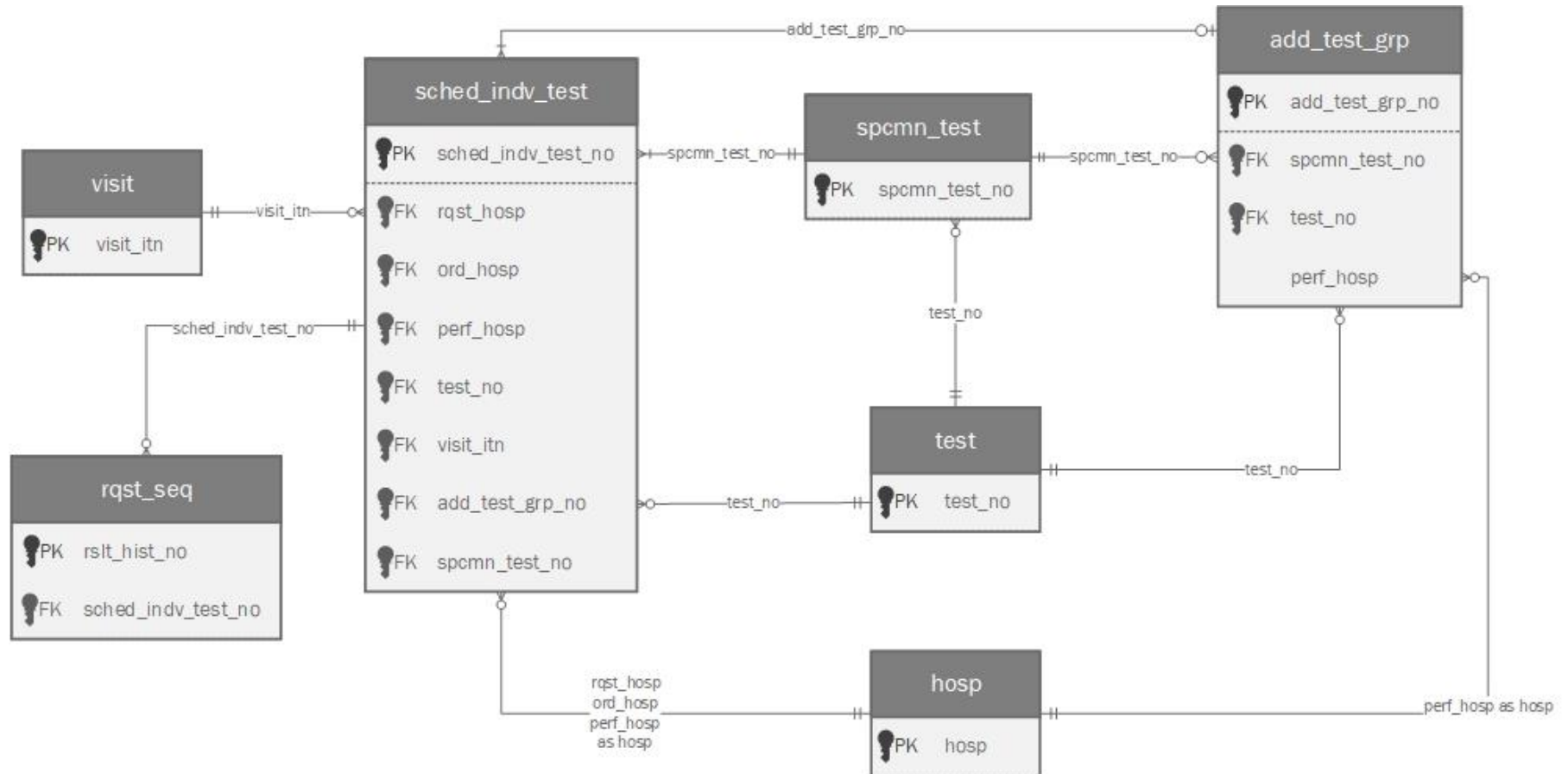
**Specimen Test**



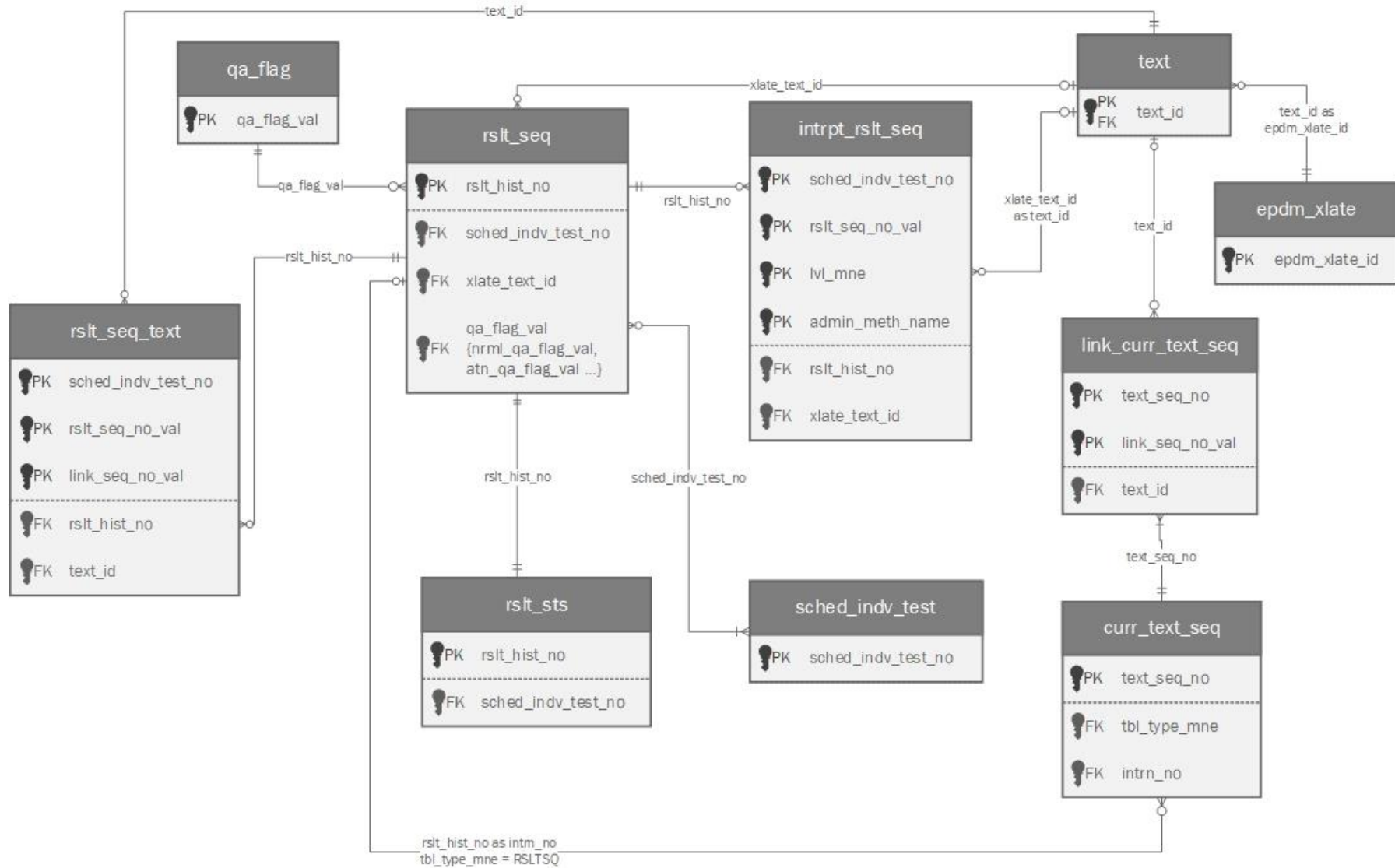
**Specimen and Sample**



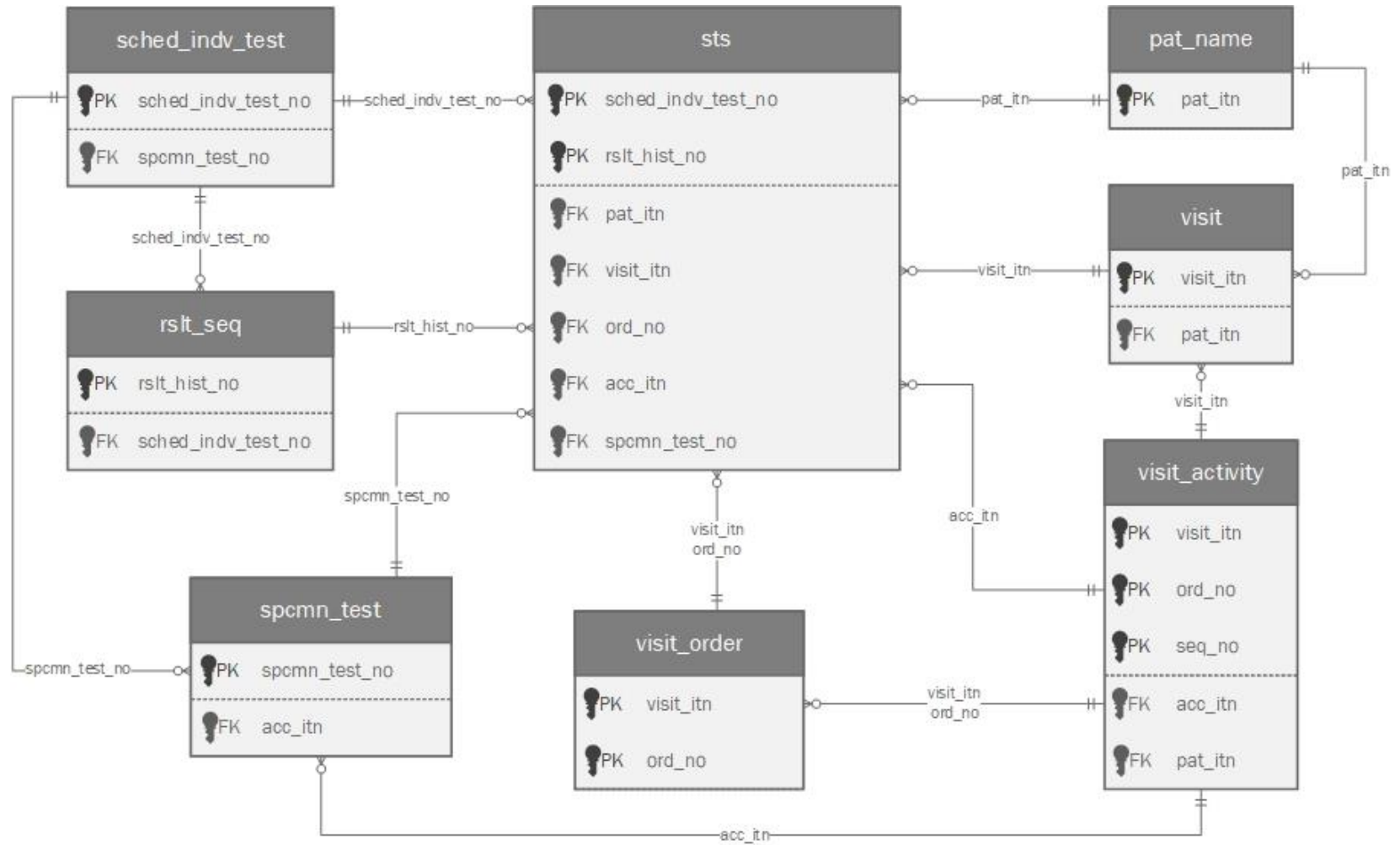
**Individual Test**



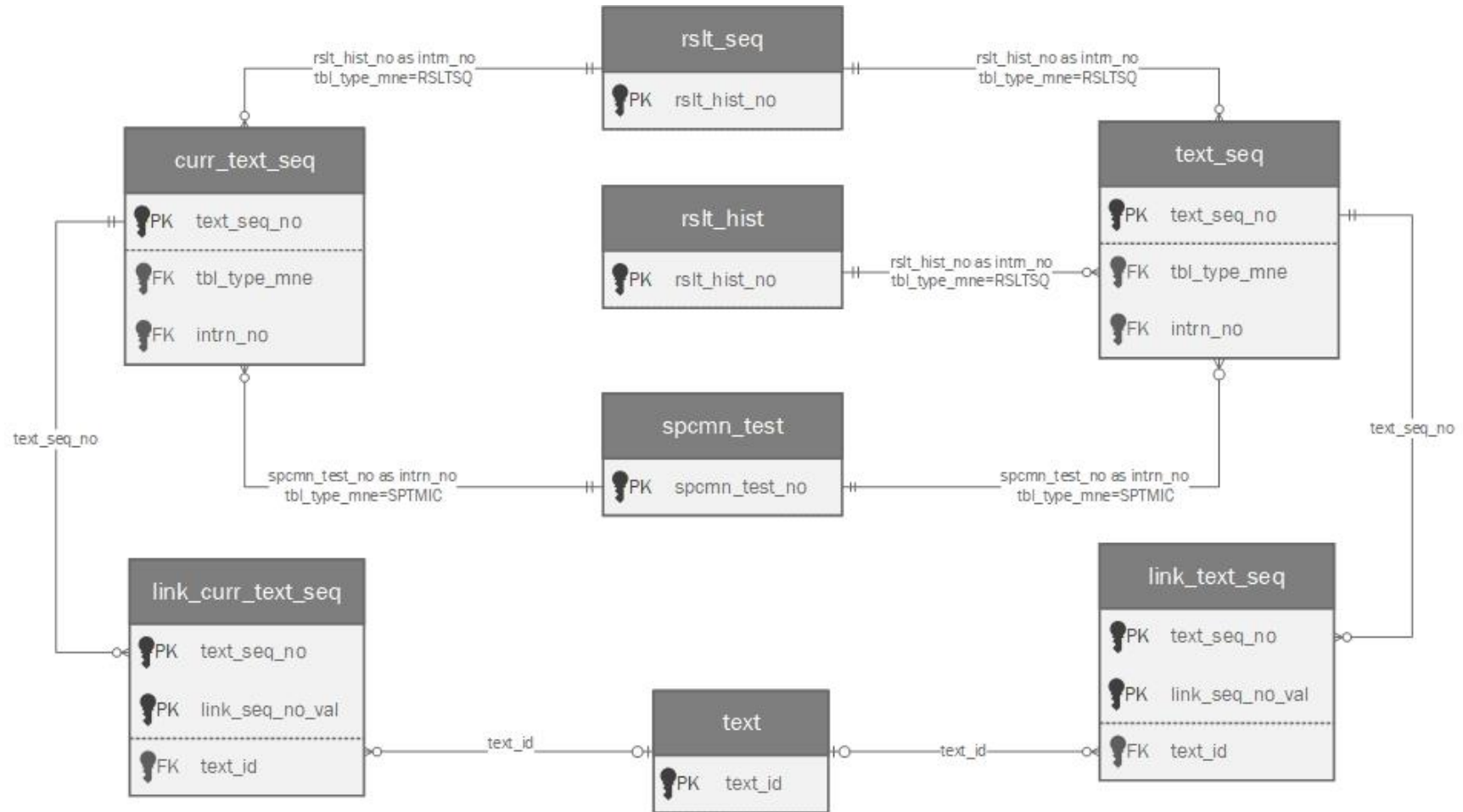
**Result**



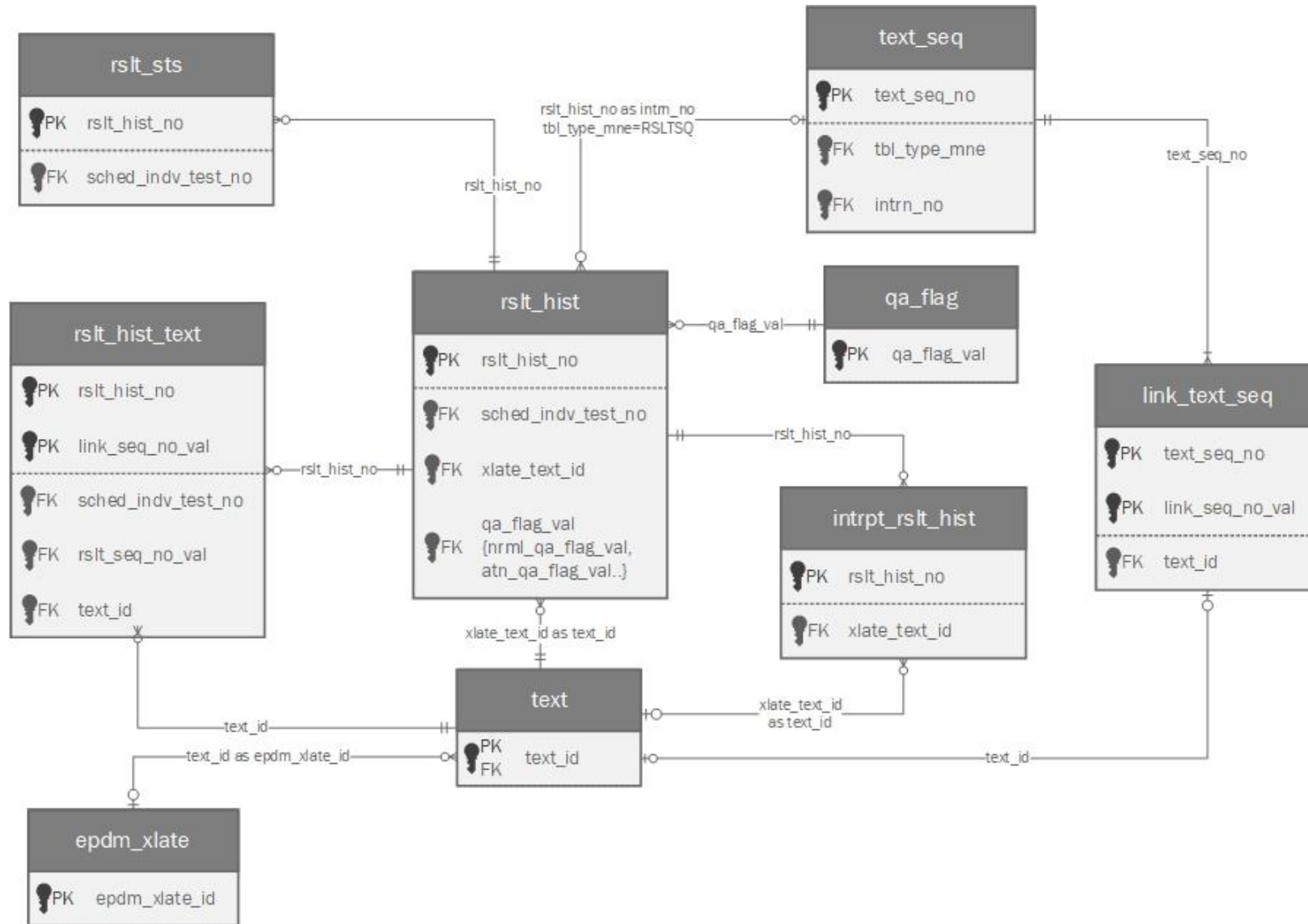
**Status**



**Test Comment**

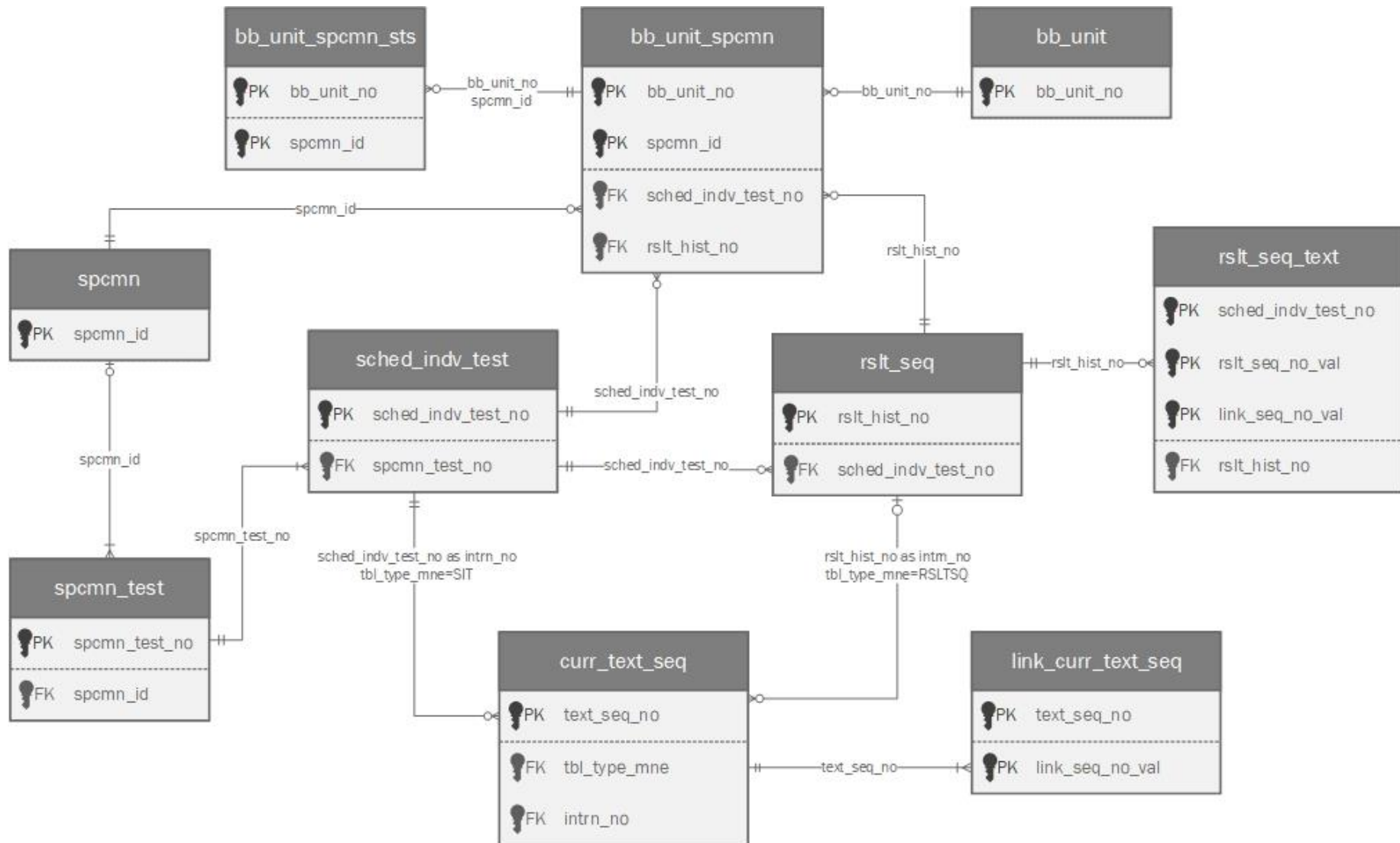


**Changed Result**





**Blood Bank Result**



## Table Listings

This section contains basic information on the tables in the export file. The tables are listed alphabetically and contain the following fields:

<b>Field</b>	<b>Description</b>
Column	Contains the physical name of the column.
D.Type	Contains the datatype of the column. Refer to the list of data types in the Data Types section.
Len	Contains the maximum length of the char and varchar columns. For other datatypes, refer to the list of data types in the Data Types section to determine the maximum length.
PK	Contains an indicator (Y = Yes, N = No) that the associated column is part of the primary key for the table.
OP	Contains an indicator (Y = Yes, N = No) that the associated column is optional (i.e., may be NULL).
Field	Contains the name of the field.
Description	Contains the description of the field.
Notes	Contains additional information such as allowable or default values.

**add\_test\_grp**

Dynamic table that contains additional information for test groups added to a specimen test.

Referenced in Data Model Diagrams(s): Specimen Test, Individual Test

Column	D.Type	Len	PK	OP	Field	Description	Notes
add_test_grp_no	integer		Y	N	Add Test Group Number	System-generated number that uniquely identifies a test group added to a specimen test	
spcmn_test_no	integer		N	N	Specimen Test Number	System-generated number that uniquely identifies the collectable test for a specimen	
isolate_no_val	tinyint		N	Y	Isolate Number Value	System-generated number that identifies the microbiology isolate (organism) that the associated tests are linked to	
test_no	integer		N	N	Test Number	System-generated number that uniquely identifies a laboratory test (set, group, and individual)	
test_id	char	8	N	N	Test Identifier	User-defined identifier of a test (set, group, or individual).	
add_test_dtime	smalltime		N	N	Add Test Date and Time	Date and time the test was added	
user_init	char	6	N	Y	User Initials	User who added the test	
add_sys_id	char	6	N	Y	Add System Identifier	System that added the test	
perf_hosp	char	6	N	Y	Performing Hospital	User-defined identifier of the hospital or institution responsible for results entry	

**alias\_name**

Dynamic table that contains additional name types for a given patient.

Referenced in Data Model Diagrams(s): Overview, Patient

Column	D.Type	Len	PK	OP	Field	Description	Notes
pat_itn	integer		N	N	Patient Internal Number	System-generated number used to uniquely identify a patient	
last_sndx	char	5	N	N	Last Name Soundex	System-calculated soundex value for the last name of the patient	
first_sndx	char	4	N	N	First Name Soundex	System-calculated soundex value for the first name of the patient	
pt_sex	char	1	N	Y	Patient Sex		Not valued
pt_birth_dtime	datetime		N	Y	Patient Birth Date and Time		Not valued
pt_last	char	32	N	N	Patient Last Name	Last or surname of the patient	
pt_first	varchar	32	N	Y	Patient First Name	First or given name of the patient	
pt_middle	varchar	32	N	Y	Patient Middle Name	Middle name of the patient	
pt_title	varchar	16	N	Y	Patient Title	Title of the patient	
pt_prefix	varchar	16	N	Y	Patient Prefix	Name prefix of the patient	
pt_suffix	varchar	16	N	Y	Patient Suffix	Name suffix of the patient	
calc_birthdate_ind	tinyint		N	Y	Calculated Birthdate Indicator		Not valued
pt_death_dtime	smalldtime		N	Y	Patient Death Date and Time		Not valued
pt_prof_suffix	varchar	16	N	Y	Patient Professional Suffix	Professional suffix of the patient	
name_type_mne	char	1	N	Y	Name Type	System-defined value that identifies the type of name	Allowable values are: A - Alias Name L - Legal Name M - Maiden Name N - Nickname S - Pseudo Name U- Unspecified

**arch\_vst\_xref**

Dynamic table that contains archived visit and report information.

Referenced in Data Model Diagrams(s): Patient

Column	D.Type	Len	PK	OP	Field	Description	Notes
arch_vst_xref_no	integer		Y	N	Archive Visit Cross Reference Number	System-generated number used to uniquely identify an archived visit	
pat_itn	integer		N	N	Patient Internal Number	System-generated number used to uniquely identify a patient	
merge_from_pat_itn	integer		N	Y	Merged To Patient Internal Number		Not valued
hosp	char	6	N	N	Hospital	User-defined identifier of the hospital or institution responsible for the care of the patient	
visit_itn	integer		N	N	Visit Internal Number	System-generated number that uniquely identifies a particular visit or health care encounter	Valued to 0 when visit is purged
pt_adm_no	char	12	N	N	Patient Admission Number	System-generated, user-defined, or Hospital Information System-assigned value that identifies a patient care episode	
pt_visit_no	char	12	N	Y	Patient Visit Number	Visit Extension	
prev_pt_adm_no	char	12	N	Y	Previous Patient Admission Number	System-generated, user-defined, or Hospital Information System-assigned value that identifies a patient care episode	
prev_pt_visit_no	char	12	N	Y	Previous Patient Visit Number	Visit Extension	
vst_start_dtime	smallldtime		N	N	Visit Start Date and Time	Date and time the visit became active	
vst_stop_dtime	smallldtime		N	N	Visit Stop Date and Time	Date and time the visit became inactive	

Column	D.Type	Len	PK	OP	Field	Description	Notes
pt_dsch_dtime	smallmtime		N	Y	Patient Discharge Date and Time	Date and time the patient was released from the hospital	
atn_dr_no	char	6	N	Y	Attending Doctor Number	User- or system-defined value that uniquely identifies a doctor or ordering authority	
atn_dr_last	varchar	32	N	Y	Attending Doctor Last Name	Last or surname of the doctor	
atn_dr_first	varchar	32	N	Y	Attending Doctor First Name	First or given name of the doctor	
resp_orgz_id	char	15	N	Y	Responsible Organization Identifier	User-defined value that uniquely identifies the nurse station or organization within the hospital that is responsible for the patient	
pt_acct_id	char	12	N	N	Patient Account Identifier	User or system-assigned identifier of a patient's financial record	
adhoc_dtime	smallmtime		N	N	Adhoc Date and Time	Date and time the visit was archived	
offline_arch_dtime	smallmtime		N	Y	Offline Archive Date and Time	Date and time the visit was sent to another archival system	Default value "Jan 1 1900 12:00AM"
sngl_rpt_doc_itn	integer		N	N	Single Report Document Internal Number	System-generated number that uniquely identifies an archived report	
mstr_log_doc_itn	integer		N	N	Master Log Document Internal Number	System-generated number that uniquely identifies an archived report	Valued to 0 for single patient export
purge_dtime	smallmtime		N	N	Purge Date and Time	Date and time the visit was purged from the active database	Valued when visit is purged

**bb\_unit**

Dynamic table that contains blood product unit information received from an interfaced Blood Bank system.

Referenced in Data Model Diagrams(s): Blood Bank Result

Column	D.Type	Len	PK	OP	Field	Description	Notes
bb_unit_no	integer		Y	N	Blood Bank Unit Number	System-generated number that uniquely identifies the blood product unit	
bb_unit_id	varchar	32	N	N	Blood Bank Unit Identifier	External identifier received from the Blood Bank system for the blood product unit	
blood_prod_desc	varchar	32	N	N	Blood Product Description	Textual description received from the Blood Bank system for the blood product	
unit_type_rh	char	11	N	Y	Unit Type Rh	Contains the concatenated text values received from the Blood Bank system for the blood type of the blood product (A, O, B, AB) and Rh factor (POS or NEG)	
blood_prod_cd	varchar	32	N	Y	Blood Product Code	External value received from the Blood Bank system for the blood product	
bb_lot_id	varchar	32	N	Y	Blood Product Lot Identifier	External identifier received from the Blood Bank system for the lot number of the blood product	
blood_prod_qty	integer		N	Y	Blood Product Quantity	Quantity of blood product	
blood_prod_vol	varchar	16	N	Y	Blood Product Volume	Volume of blood product	
blood_prod_id	varchar	16	N	Y	Blood Product Identifier	External identifier received from the Blood Bank system for the blood product	

**bb\_unit\_spcmn**

Dynamic table that contains the specimen(s) associated with the blood product unit, along with keys to the individual test and result that document a blood product request, crossmatch, and transfusion.

Referenced in Data Model Diagrams(s): Blood Bank Result

Column	D.Type	Len	PK	OP	Field	Description	Notes
bb_unit_no	integer		Y	N	Blood Bank Unit Number	System-generated number that uniquely identifies the blood product unit	
spcmn_id	char	10	Y	N	Specimen Identifier	System-generated or user-assigned identifier for the patient specimen used for antibody screening and compatibility testing	
sched_indv_test_no	integer		N	N	Scheduled Individual Test Number	System-generated number that uniquely identifies an individual test that is scheduled to be performed	
rslt_hist_no	integer		N	N	Result History Number	System-generated number that uniquely identifies a current or past result	
xmatch_rslt_val	varchar	100	N	N	Crossmatch Result Value	Result data sent by the Blood Bank system for the crossmatch request	Default value ""
bb_spcmn_expr_dtime	smalltime		N	Y	Blood Bank Specimen Expiration Date/Time	Expiration date of the patient specimen used for antibody screening and compatibility testing	



**bb\_unit\_spcmn\_sts**

Dynamic table that contains the statuses for a particular Blood Bank product unit and the specimen(s) with which it has been linked.

Referenced in Data Model Diagrams(s): Blood Bank Result

Column	D.Type	Len	PK	OP	Field	Description	Notes
bb_unit_no	integer		Y	N	Blood Bank Unit Number	System-generated number that uniquely identifies the blood product unit	
spcmn_id	char	10	Y	N	Specimen Identifier	System-generated or user-assigned identifier for the patient specimen used for antibody screening and compatibility testing	
unit_sts_desc	char	15	Y	N	Unit Status Description	Text sent by the Blood Bank system that describes the testing or transfusion status of the associated blood product	
unit_sts_dtime	smalltime		Y	N	Unit Status Date and Time	Date and time the unit status was updated	
resp_indv_id	varchar	32	N	N	Responsible Individual Identifier	Value sent by the Blood Bank system that identifies the individual responsible for the change of status	

**curr\_text\_seq**

Dynamic table that contains current comment information, excluding the actual text of the comment. Maintains multiple textual comments on results and microbiology cultures. All other comments are stored in an associated table. For example, specimen comments are stored in the spcmn table.

Referenced in Data Model Diagrams(s): Result, Test Comment, Blood Bank Result

Column	D.Type	Len	PK	OP	Field	Description	Notes
text_seq_no	integer		Y	N	Text Sequence Number	System-generated number that uniquely identifies each textual comment	
tbl_type_mne	char	6	N	N	Table Type Mnemonic	System-defined value that uniquely identifies a database table	Allowable values are: RSLTSQ – rslt_seq SPTMIC – spcmn_test_micro
intrn_no	integer		N	N	Internal Number	Internal number value that uniquely identifies a row in	

Column	D.Type	Len	PK	OP	Field	Description	Notes
						the table specified by the associated tbl_type_mne	
text_seq_no_val	tinyint		N	N	Text Sequence Number Value	Value that maintains the relative sequence of coded texts within a comment	
text_use_type_mne	char	6	N	N	Text Use Type Mnemonic	System-defined value that uniquely identifies a text usage type	Allowable values are: BBUSTS- Blood Bank Unit Status CALLED- Called Result CNGRSL- Changed Result DELCMT- Post Release Deleted Comment FAILED- Call Failed Comment GENCMT- General Purpose ORGCMT- Organism Comment RLCMNT- Reference Lab Result Comment RSLCMT- Result Comment
hist_seq_no_val	tinyint		N	N	History Sequence Number Value	System-generated number that tracks the order in which a result or comment was altered over time	
text_cre_dtime	smallmtime		N	N	Creation Date and Time	Date and time the comment was added	
prt_supp_ind	tinyint		N	N	Print Suppression Indicator	Indicates whether results or comments should be suppressed from printing on a patient report	Allowable values are: 0 - No 1 - Yes
user_init	char	6	N	Y	Create User Initials	User who added the comment	Default value ""
cre_sys_id	char	6	N	Y	Create System Identifier	System that added the comment	
del_dtime	smallmtime		N	Y	Delete Date and Time	Date and time the comment was deleted	
del_user_init	char	6	N	Y	Delete User Initials	User who deleted the comment	Default value ""

Column	D.Type	Len	PK	OP	Field	Description	Notes
del_sys_id	char	6	N	Y	Delete System Identifier	System that deleted the comment	

### **dsch\_disp**

User-defined table that contains the patient dispositions after release from the hospital.

Referenced in Data Model Diagram(s): Visit

Column	D.Type	Len	PK	OP	Field	Description	Notes
dsch_disp_id	char	1	Y	N	Discharge Disposition Identifier	User-defined value that uniquely identifies the patient disposition	
dsch_disp_name	varchar	30	N	N	Discharge Disposition Name	User-defined name of the patient disposition	

### **epdm\_xlate**

User-defined table that contains the epidemiology interpretations used for organism antimicrobial sensitivities. For example, S (Sensitive or Susceptible) and R (Resistant) are commonly defined epidemiology interpretations.

Referenced in Data Model Diagram(s): Result, Changed Result

Column	D.Type	Len	PK	OP	Field	Description	Notes
epdm_xlate_id	char	6	Y	N	Epidemiology Translate Identifier	User-defined value that uniquely identifies the sensitivity or resistance of the isolated organism to an antimicrobial	
epdm_xlate_val	char	3	N	N	Epidemiology Translate Value	User-defined value that prints on patient reports for the epidemiology interpretation	
epdm_xlate_desc	varchar	60	N	Y	Epidemiology Translate Description	User-defined description of the epidemiology interpretation	
avail_mne	char	6	N	N	Availability Mnemonic	System-defined value that uniquely identifies the state of availability for the associated epidemiology interpretation	Allowable values are: ACTV - Active INACTV - Inactive BUILD - Build State

**ethnic\_grp**

User-defined table that contains the values used to identify the ethnic group of a patient.

Referenced in Data Model Diagram(s): Patient

Column	D.Type	Len	PK	OP	Field	Description	Notes
ethnic_grp_id	char	1	Y	N	Ethnic Group Identifier	User-defined value that uniquely identifies an ethnic group	
ethnic_grp_desc	varchar	30	N	N	Ethnic Group Description	User-defined description of an ethnic group	

**fc**

User-defined table that contains the financial classes associated with patient billing. For example, Self-pay and Medicare are commonly defined financial classes.

Referenced in Data Model Diagram(s): Visit

Column	D.Type	Len	PK	OP	Field	Description	Notes
fc_id	char	6	Y	N	Financial Class Identifier	User-defined value that uniquely identifies a financial class	
hosp	char	6	Y	N	Hospital	User-defined identifier of a hospital or other institution	
fc_name	char	30	N	N	Financial Class Name	User-defined name of the financial class	
avail_mne	char	6	N	N	Availability Mnemonic	System-defined value that uniquely identifies the state of availability for the associated financial class	Allowable values are: ACTV - Active INACTV - Inactive BUILD - Build State

**gender**

User-defined table that contains the values used to identify the gender identity of a patient.

Referenced in Data Model Diagram(s): Patient

Column	D.Type	Len	PK	OP	Field	Description	Notes
gender_id	char	6	Y	N	Gender Identity Identifier	User-defined value that uniquely identifies a gender identity	
gender_desc	char	30	N	N	Gender Identity Description	User-defined description of the gender identity	

**hosp**

User-defined table that contains definitions of health care facilities, hospitals, or institutions.

Referenced in Data Model Diagrams(s): Patient, Visit, Visit Order, Specimen Test, Specimen and Sample, Individual Test

Column	D.Type	Len	PK	OP	Field	Description	Notes
hosp	char	6	Y	N	Hospital	User-defined identifier of a hospital or other institution	
hosp_name	varchar	30	N	Y	Hospital Name	Name of the hospital	
addr1	varchar	32	N	Y	Hospital Address	First line of the address for the hospital	
addr2	varchar	32	N	Y	Hospital Address	Second line of the address for the hospital	
city	varchar	32	N	Y	Hospital City	City portion of the address for the hospital	
state	varchar	32	N	Y	Hospital State	State portion of the address for the hospital	
zip	varchar	16	N	Y	Hospital Zip Code	Postal code or zip code portion of the address for the hospital	
country	varchar	16	N	Y	Hospital Country	Country portion of the address for the hospital	
phone	varchar	23	N	Y	Hospital Phone Number	Phone number for the hospital	
loan_days	char	2	N	Y	Loan Days		Not valued
max_dun_level	char	1	N	Y	Maximum Dunning Level		Not valued
dun_days_1	char	2	N	Y	Dun Days		Not valued
dun_days_2	char	2	N	Y	Dun Days		Not valued
dun_days_3	char	2	N	Y	Dun Days		Not valued
dun_days_4	char	2	N	Y	Dun Days		Not valued
access_level	char	1	N	Y	Access Level		Not valued
checkout_days	char	2	N	Y	Checkout Days		Not valued
ob_int_name	varchar	32	N	Y	Outbound Interface Name		Not valued
email	varchar	128	N	Y	Email Address	Email address for the hospital	

Column	D.Type	Len	PK	OP	Field	Description	Notes
instn_abbr_name	char	2	N	Y	Institution Abbreviated Name	User-defined value that is used to represent the hospital on patient reports	
perf_role_ind	tinyint		N	Y	Performer Role Indicator	Indicates whether the hospital performs clinical laboratory testing	Allowable values are: 0 - No 1 - Yes
med_dir_surname	varchar	32	N	Y	Medical Director Last Name	Last or surname of the medical director	
med_dir_given_name	varchar	32	N	Y	Medical Director First Name	First or given name of the medical director	
med_dir_title	varchar	16	N	Y	Medical Director Title	Title of the medical director	
pt_svc_role_ind	tinyint		N	Y	Patient Services Role Indicator	Indicates whether the hospital is responsible for patient care	Allowable values are: 0 - No 1 - Yes
pt_rpt_hdr_instn	char	6	N	Y	Report Header Institution	User-defined value that is used to represent the hospital on patient reports	
avail_mne	char	6	N	Y	Availability Mnemonic	System-defined value that uniquely identifies the state of availability for the associated hospital	Allowable values are: ACTV - Active INACTV - Inactive BUILD - Build State
npi	char	10	N	Y	National Provider Identifier	Identifier assigned by the National Plan and Provider Enumeration System (NPES) for the hospital	
clin_lab_cert_id	varchar	16	N	Y	Clinical Laboratory Certification Identifier	Identifier assigned to a clinical laboratory by an accrediting authority or agency such as College of American Pathologists (CAP) or Clinical Laboratory Improvement Amendments (CLIA)	
iss_auth	varchar	32	N	Y	Issuing Authority	Accrediting authority or agency that issued the Clinical Laboratory Certification Identifier	
state_license_no	varchar	16	N	Y	State License Number	Identifier issued by a state	

Column	D.Type	Len	PK	OP	Field	Description	Notes
iss_state	varchar	32	N	Y	Issuing State	State that issued the State License Number	
med_dir_npi	char	10	N	Y	National Provider Identifier	Identifier assigned by the National Plan and Provider Enumeration System (NPES) for the medical director	
med_dir_dr_no	char	6	N	Y	Medical Director Doctor Number	User or system defined value that uniquely identifies the medical director	Default value ""
county	varchar		N	Y	Hospital County	County the hospital is located in	
addr_type_mne	char	3	N	Y	Address Type	System-defined value that identifies the type of address	Allowable values are: B - Business C - Current or Temporary L - Legal H - Home M - Mailing O - Office P - Permanent
phone_country_cd	varchar	3	N	Y	Hospital Phone Country Code	Country code portion of the phone number for the hospital	
phone_area_cd	varchar	5	N	Y	Hospital Phone Area Code	Area code portion of the phone number for the hospital	
phone_local_val	varchar	9	N	Y	Hospital Phone Local Value	Local portion of the phone number for the hospital	
phone_ext_val	varchar	5	N	Y	Hospital Phone Extension	Extension portion of the phone number for the hospital	
phone_cmnt	varchar	32	N	Y	Hospital Phone Comment	Free text comment related to the phone number for the hospital	

**intrpt\_rslt\_hist**

Dynamic table that contains the previous microbiology interpretive result outcome(s) for a sensitivity test that has been changed post release.

Referenced in Data Model Diagrams(s): Changed Result

Column	D.Type	Len	PK	OP	Field	Description	Notes
rslt_hist_no	integer		Y	N	Result History Number	System-generated number that uniquely identifies a current or past result	
lvl_mne	char	6	Y	N	Level Mnemonic	System-defined value for a level of infection associated with a microbiology culture	Allowable values are: SYS – Systemic URINE – Urine csf – Spinal fluid
admin_meth_name	varchar	40	Y	Y	Administration Method Name	User-defined name of a route of administration for an antimicrobial	
xlate_text_id	char	10	N	Y	Epidemiology Translate Text Identifier	User-defined value that uniquely identifies the sensitivity or resistance of the isolated organism to an antimicrobial	
cost_cd_val	char	10	N	Y	Cost Code Value	User-defined value that indicates the relative cost of therapy with a particular antimicrobial drug	
dsply_seq_val	smallint		N	N	Display Sequence Value		Not valued
prt_supp_ind	tinyint		N	Y	Print Suppression Indicator	Indicates whether result should be suppressed from printing on a patient report	Allowable values are: 0 - No 1 - Yes

**intrpt\_rslt\_seq**

Dynamic table that contains the most current micro-interpretive result outcome(s) for a sensitivity test based on level and (optionally) method of administration.

Referenced in Data Model Diagrams(s): Result, Changed Result

Column	D.Type	Len	PK	OP	Field	Description	Notes
sched_indv_test_no	integer		Y	N	Scheduled Individual Test Number	System-generated number that uniquely identifies an individual test that is scheduled to be performed	



Column	D.Type	Len	PK	OP	Field	Description	Notes
rslt_seq_no_val	tinyint		Y	N	Result Sequence Number Value	System-generated number that uniquely identifies and sequences each result for an individual test.	
lvl_mne	char	6	Y	N	Level Mnemonic	System-defined value for a level of infection associated with a microbiology culture	Allowable values are: SYS – Systemic URINE – Urine csf – Spinal fluid
admin_meth_name	varchar	40	Y	Y	Administration Method Name	User-defined name of a route of administration for an antimicrobial	
rslt_hist_no	integer		N	N	Result History Number	System-generated number that uniquely identifies a current or past result	
xlate_text_id	char	10	N	Y	Epidemiology Translate Text Identifier	User-defined value that uniquely identifies the sensitivity or resistance of the isolated organism to an antimicrobial	
cost_cd_val	char	10	N	Y	Cost Code Value	User-defined value that indicates the relative cost of therapy with a particular antimicrobial drug	
dsply_seq_val	smallint		N	N	Display Sequence Value		Not valued
prt_supp_ind	tinyint		N	Y	Print Suppression Indicator	Indicates whether result should be suppressed from printing on a patient report	Allowable values are: 0 - No 1 - Yes

### **link\_curr\_text\_seq**

Dynamic table that contains the actual text for culture and result comments. All entries in this table relate to entries in the curr\_text\_seq table.

Referenced in Data Model Diagrams(s): Result, Test Comment, Blood Bank Result

Column	D.Type	Len	PK	OP	Field	Description	Notes
text_seq_no	integer		Y	N	Text Sequence Number	System-generated number that uniquely identifies each textual comment	
link_seq_no_val	tinyint		Y	N	Link Sequence Number Value	Indicates the sequence of a text value within a single	

Column	D.Type	Len	PK	OP	Field	Description	Notes
						comment that consists of multiple coded texts	
text_id	char	10	N	Y	Text Identifier	User-defined value which uniquely identifies a coded text value	
free_text_cmnt	varchar	250	N	Y	Free Text Comment	Free text that was entered as a culture or result comment	
free_text_cmnt2	varchar	250	N	Y	Free Text Comment	Free text that was entered as a culture or result comment	
new_line_ind	tinyint		N	N	New Line Indicator	Indicates whether a carriage return is forced between concatenated coded text used as results or comments	Allowable values are: 0 - No 1 - Yes

### link\_text\_seq

Dynamic table that contains comments that have been removed from already released results or comments that are associated with post-release changed results. All entries in this table are related to an entry in text\_seq.

Referenced in Data Model Diagrams(s): Test Comment, Changed Result

Column	D.Type	Len	PK	OP	Field	Description	Notes
text_seq_no	integer		Y	N	Text Sequence Number	System-generated number that uniquely identifies each textual comment	
link_seq_no_val	tinyint		Y	N	Link Sequence Number Value	Indicates the sequence of a text value within a single comment that consists of multiple coded texts	
text_id	char	10	N	Y	Text Identifier	User-defined value which uniquely identifies a coded text value	
free_text_cmnt	varchar	250	N	Y	Free Text Comment	Free text that was entered as a culture or result comment	
free_text_cmnt2	varchar	250	N	Y	Free Text Comment	Free text that was entered as a culture or result comment	
new_line_ind	tinyint		N	N	New Line Indicator	Indicates whether a carriage return is forced between concatenated	Allowable values are: 0 - No 1 - Yes

Column	D.Type	Len	PK	OP	Field	Description	Notes
						coded text used as results or comments	

**modf**

User-defined table that contains qualifiers that further identify the site the specimen or sample was obtained for testing. For example, left, right, lower are commonly defined modifiers.

Referenced in Data Model Diagrams(s): Specimen Test

Column	D.Type	Len	PK	OP	Field	Description	Notes
modf_id	char	6	Y	N	Modifier Identifier	User-defined value that uniquely identifies a modifier	
modf_name	char	30	N	N	Modifier Name	User-defined name of the modifier	
avail_mne	char	6	N	N	Availability Mnemonic	System-defined value that uniquely identifies the state of availability for the associated modifier	Allowable values are: ACTV - Active INACTV - Inactive BUILD - Build State

**pat\_corp**

Dynamic table that contains enterprise or corporate level identifiers for a patient, such as Master Patient Index (MPI) number, Social Security Number, and Laboratory Identifier Value.

Referenced in Data Model Diagrams(s): Overview, Patient

Column	D.Type	Len	PK	OP	Field	Description	Notes
pat_itn	integer		Y	N	Patient Internal Number	System-generated number used to uniquely identify a patient	
corp_id	char	12	N	N	Corporate Identifier	External system-assigned identifier that uniquely identifies a patient at the enterprise level	Identifier is not associated with a particular patient care episode or institution. Default value ""
user_id	char	16	N	Y	User Identifier	User-defined identifier which identifies a patient at the enterprise level	Identifier is not associated with a particular patient care episode or institution
pt_ss_no	char	9	N	Y	Social Security Number	Contains the nine digit Social Security Number for the patient	
lab_id_val	varchar	12	N	Y	Laboratory Identifier Value	Unique patient identifier issued by the Lab system.	Automatically generated for a patient that does not have a

Column	D.Type	Len	PK	OP	Field	Description	Notes
							hospital-issued medical record number
prev_corp_id1	char	12	N	Y	Previous Corporate Identifier	Previous Corporate Identifier for the patient	Previous value of corp_id  A maximum of three previous Corporate Identifiers are maintained.
prev_corp_id2	char	12	N	Y	Previous Corporate Identifier	Previous Corporate Identifier for the patient	Previous value of corp_id1
prev_corp_id3	char	12	N	Y	Previous Corporate Identifier	Previous Corporate Identifier for the patient	Previous value of corp_id2
prev_lab_id_val1	varchar	12	N	Y	Previous Laboratory Identifier	Previous Laboratory Identifier Value for the patient	Previous value of lab_id_val  A maximum of three previous Laboratory Identifier Values are maintained.
prev_lab_id_val2	varchar	12	N	Y	Previous Laboratory Identifier	Previous Laboratory Identifier Value for the patient	Previous value of lab_id_val1
prev_lab_id_val3	varchar	12	N	Y	Previous Laboratory Identifier	Previous Laboratory Identifier Value for the patient	Previous value of lab_id_val2
merge_to_pat_itn	integer		N	Y	Merged To Patient Internal Number		Not valued
prev_ss_no1	char	9	N	Y	Previous Social Security Number	Previous Social Security Number for the patient	Previous value of pt_ss_no  A maximum of three previous Social Security Numbers are maintained.
prev_ss_no2	char	9	N	Y	Previous Social Security Number	Previous Social Security Number for the patient	Previous value of pt_ss_no1
prev_ss_no3	char	9	N	Y	Previous Social Security Number	Previous Social Security Number for the patient	Previous value of pt_ss_no2
prev_user_id1	char	16	N	Y	Previous User Identifier	Previous User Identifier for the patient	Previous value of user_id  A maximum of three previous User

Column	D.Type	Len	PK	OP	Field	Description	Notes
							Identifiers are maintained.
prev_user_id2	char	16	N	Y	Previous User Identifier	Previous User Identifier for the patient	Previous value of user_id1
prev_user_id3	char	16	N	Y	Previous User Identifier	Previous User Identifier for the patient	Previous value of user_id2
mstr_pt_idx	char	16	N	N	Master Patient Index Number	Master Patient Index Number for the patient	Default value ""
prev_mstr_pt_idx1	char	16	N	Y	Previous Master Patient Index Number	Previous Master Patient Index Number for the patient	Previous value of mstr_pt_idx  A maximum of three previous Master Patient Index Numbers are maintained.
prev_mstr_pt_idx2	char	16	N	Y	Previous Master Patient Index Number	Previous Master Patient Index Number for the patient	Previous value of mstr_pt_idx1
prev_mstr_pt_idx3	char	16	N	Y	Previous Master Patient Index Number	Previous Master Patient Index Number for the patient	Previous value of mstr_pt_idx2

### pat\_demo

Dynamic table that contains address and phone information for the patient.

Referenced in Data Model Diagrams(s): Overview, Patient

Column	D.Type	Len	PK	OP	Field	Description	Notes
pat_itn	integer		Y	N	Patient Internal Number	System-generated number used to uniquely identify a patient	
pt_addr1	varchar	32	N	Y	Patient Address	First line of address for the patient	
pt_addr2	varchar	32	N	Y	Patient Address	Second line of address for the patient	
pt_city	varchar	32	N	Y	Patient City	City portion of address for the patient	
pt_state	varchar	32	N	Y	Patient State	State portion of address for the patient	
pt_zip	varchar	16	N	Y	Patient Zip Code	Postal code or zip code portion of address for the patient	

Column	D.Type	Len	PK	OP	Field	Description	Notes
pt_country	varchar	16	N	Y	Patient Country	Country portion of address for the patient	
pt_phone	varchar	23	N	Y	Patient Phone Number	Phone number for the patient	
email	varchar	128	N	Y	Patient Email Address	Email address for the patient	
pt_county	varchar		N	Y	Patient County	County the patient resides in	
addr_type_mne	char	3	N	Y	Address Type	System-defined value that identifies the type of address	Allowable values are: B - Business C - Current or Temporary L - Legal H - Home M - Mailing O - Office P - Permanent

### pat\_info

Dynamic table that contains miscellaneous data about a patient.

Referenced in Data Model Diagram(s): Patient

Column	D.Type	Len	PK	OP	Field	Description	Notes
pat_itn	integer		Y	N	Patient Internal Number	System-generated number used to uniquely identify a patient	
pt_age	char	4	N	Y	Patient Age		Not valued
pt_marital_sts	char	1	N	Y	Patient Marital Status		No valued
pt_race	char	1	N	Y	Patient Race	User-defined value that uniquely identifies the race of the patient	
pt_fc	char	1	N	Y	Patient Financial Class		Not valued
pt_class	char	3	N	Y	Patient Class		Not valued
pt_type	char	3	N	Y	Patient Type		Not valued
diag1	varchar	60	N	Y	Diagnosis		Not valued
diag2	varchar	60	N	Y	Diagnosis		Not valued
comments1	varchar	60	N	Y	Patient Comment	Free text comment related to the patient	

Column	D.Type	Len	PK	OP	Field	Description	Notes
comments2	varchar	60	N	Y	Patient Comment		Not valued
allergy_1	varchar	27	N	Y	Allergy		Not valued
allergy_2	varchar	27	N	Y	Allergy		Not valued
allergic_dye	char	1	N	Y	Allergic to dyes		Not valued
pt_occu	varchar	18	N	Y	Patient Occupation	Job title or occupation of the patient	
pt_work_phone	varchar	23	N	Y	Patient Work Phone Number	Work phone number for the patient	
last_exam_dtime	smallmtime		N	Y	Last Exam Date and Time		Not valued
pt_adm_dtime	smallmtime		N	Y	Patient Admission Date and Time	Date and time the patient was admitted	
user fld1	varchar	16	N	Y	User Field	Additional information entered by the user or sent by the Hospital Information System which is not contained in predefined fields	
user fld2	varchar	16	N	Y	User Field	Additional information entered by the user or sent by the Hospital Information System which is not contained in predefined fields	
user fld3	varchar	16	N	Y	User Field	Additional information entered by the user or sent by the Hospital Information System which is not contained in predefined fields	
user fld4	varchar	16	N	Y	User Field	Additional information entered by the user or sent by the Hospital Information System which is not contained in predefined fields	
diabetic_ind	char	1	N	Y	Diabetic Indicator		Not valued
ethnic_grp_id	char	1	N	Y	Ethnic Group Identifier	User-defined value that uniquely identifies the ethnic group of the patient	

Column	D.Type	Len	PK	OP	Field	Description	Notes
species_id	char	3	N	Y	Species Identifier	User-defined value that uniquely identifies the species of the patient	
pt_phone	varchar	23	N	Y	Patient Phone Number	Phone number for the patient	
pt_phone_country_cd	varchar	3	N	Y	Patient Phone Country Code	Country code portion of the phone number for the patient	
pt_phone_area_cd	varchar	5	N	Y	Patient Phone Area Code	Area code portion of the phone number for the patient	
pt_phone_local_val	varchar	9	N	Y	Patient Phone Local Value	Local portion of the phone number for the patient	
pt_phone_ext_val	varchar	5	N	Y	Patient Phone Extension	Extension portion of the phone number for the patient	
pt_phone_cmnt	varchar	32	N	Y	Patient Phone comment	Free text comment related to the phone number for the patient	
pt_work_phone_country_cd	varchar	3	N	Y	Patient Work Phone Country Code	Country code portion of the phone number for the patient	
pt_work_phone_area_cd	varchar	5	N	Y	Patient Work Phone Area Code	Area code portion of the phone number for the patient	
pt_work_phone_local_val	varchar	9	N	Y	Patient Work Phone Local Value	Local portion of the phone number for the patient	
pt_work_phone_ext_val	varchar	5	N	Y	Patient Work Phone Extension	Extension portion of the phone number for the patient	
pt_work_phone_cmnt	varchar	32	N	Y	Patient Work Phone Comment	Free text comment related to work phone number for the patient	
pt_cellular	varchar	23	N	Y	Patient Cell Phone Number	Cell phone number for the patient	
pt_cellular_country_cd	varchar	3	N	Y	Patient Cell Phone Country Code	Country code portion of the phone number for the patient	



Column	D.Type	Len	PK	OP	Field	Description	Notes
pt_cellular_area_cd	varchar	5	N	Y	Patient Cell Phone Area Code	Area code portion of the phone number for the patient	
pt_cellular_local_val	varchar	9	N	Y	Patient Cell Phone Local Value	Local portion of the phone number for the patient	
pt_cellular_ext_val	varchar	5	N	Y	Patient Cell Phone Extension	Extension portion of the phone number for the patient	
pt_cellular_cmnt	varchar	32	N	Y	Patient Cell Phone Comment	Free text comment related to the cell phone number for the patient	
email	varchar	128	N	Y	Patient Email Address	Email address for the patient	
email_cmnt	varchar	32	N	Y	Patient Email Comment	Free text comment related to the email address for the patient	
mother_birth_last	varchar	32	N	Y	Mother Last Name	Last or surname of mother	
mother_first	varchar	32	N	Y	Mother First Name	First or given name of mother	
mother_middle	varchar	32	N	Y	Mother Middle Name	Middle name of mother	
mother_prefix	varchar	16	N	Y	Mother Name Prefix	Name suffix of mother	
mother_suffix	varchar	16	N	Y	Mother Name Suffix	Name prefix of mother	
mother_prof_suffix	varchar	16	N	Y	Mother Professional Suffix	Professional suffix of mother	
pt_race2	char	1	N	Y	Patient Race	User-defined value that uniquely identifies the race of the patient	
pt_race3	char	1	N	Y	Patient Race	User-defined value that uniquely identifies the race of the patient	
ethnic_grp_id2	char	1	N	Y	Ethnic Group Identifier	User-defined value that uniquely identifies the ethnic group of the patient	
ethnic_grp_id3	char	1	N	Y	Ethnic Group Identifier	User-defined value that uniquely identifies the	

Column	D.Type	Len	PK	OP	Field	Description	Notes
						ethnic group of the patient	
gender_id	char	6	N	Y	Gender Identity Identifier	User-defined value that uniquely identifies the gender identity of the patient	
sexual_orient_id	char	6	N	Y	Sexual Orientation Identifier	User-defined value that uniquely identifies the sexual orientation of the patient	

**pat\_name**

Dynamic table that contains patient information, including the name, gender, and date of birth for a patient.

Referenced in Data Model Diagram(s): Overview, Patient, Visit, Visit Order, Status

Column	D.Type	Len	PK	OP	Field	Description	Notes
pat_itn	integer		Y	N	Patient Internal Number	System-generated number used to uniquely identify a patient	
last_sndx	char	5	N	N	Last Name Soundex	System-calculated soundex value for the last name of the patient	
first_sndx	char	4	N	N	First Name Soundex	System-calculated soundex value for the first name of the patient	
pt_sex	char	1	N	Y	Patient Sex	User-defined value that uniquely identifies the gender of the patient	
pt_birth_dtime	datetime		N	Y	Patient Birth Date and Time	Date and time of birth	
pt_last	char	32	N	N	Patient Last Name	Last or surname of the patient	
pt_first	varchar	32	N	Y	Patient First Name	First or given name of the patient	
pt_middle	varchar	32	N	Y	Patient Middle Name	Middle name of the patient	
pt_title	varchar	16	N	Y	Patient Title	Title of the patient	
pt_prefix	varchar	16	N	Y	Patient Name Prefix	Name suffix of the patient	
pt_suffix	varchar	16	N	Y	Patient Name Suffix	Name prefix of the patient	
calc_birthdate_ind	tinyint		N	Y	Calculated Birthdate Indicator	Indicates whether the associated date of birth was calculated by the	Allowable values are: 0 - No

Column	D.Type	Len	PK	OP	Field	Description	Notes
						system from a user-provided age value	1 - Yes
epdm_data_ind	tinyint		N	Y	Epidemiology Data Indicator	Indicates whether the associated patient or visit is referenced in the epidemiology reporting database	Allowable values are: 0 - No 1 - Yes
cng_no	integer		N	Y	Change Number	System-generated number which is used to manage concurrent database updates	Valued to 1 when the record is initially created, and then incremented with each subsequent change
merge_ind	tinyint		N	Y	Merge Indicator	Indicates whether the associated record has been involved in any merge activity	Allowable values are: 0 - No 1 - Yes
pt_death_dtime	smalldtime		N	Y	Patient Death Date and Time	Date and time of death	
pt_prof_suffix	varchar	16	N	Y	Patient Professional Suffix	Professional suffix of the patient	

### pat\_rel

Dynamic table that contains information about a patient's relatives.

Referenced in Data Model Diagrams(s): Overview, Patient

Column	D.Type	Len	PK	OP	Field	Description	Notes
pat_itn	integer		Y	N	Patient Internal Number	System-generated number used to uniquely identify a patient	
cntc_role_cd	char	6	Y	N	Contact Role Code	System-defined code identifying the role a relation provides to the patient	Allowable values are: EMC - Emergency contact EMP - Employer INS - Insurance Company KIN - Next of Kin OTH - Other UNK - Unknown
rel_cd	char	6	Y	N	Relative Code	System-defined code identifying the type of relationship	Allowable values are: BRO - Brother CGV - Care giver CHD - Child DEP - Handicapped dependent

Column	D.Type	Len	PK	OP	Field	Description	Notes
							DOM - Life partner EDU - Education EMC - Emergency contact EMR - Employer EXF- Extended family FCH - Foster child FND - Friend FTH - Father GCH - Grandchild GRD - Guardian GRP - Grandparent MTH - Mother NCH - Natural child NON - None OAD - Other adult OTH - Other PAR - Parent SCH - Stepchild SEL - Self SIB - Sibling SIS - Sister SPO - Spouse UNK - Unknown WRD - Ward of court
rel_last	varchar	32	N	Y	Relative Last Name	Last or surname of the relative	
rel_first	varchar	32	N	Y	Relative First Name	First or given name of the relative	
rel_middle	varchar	32	N	Y	Relative Middle Name	Middle name of the relative	
rel_title	varchar	16	N	Y	Relative Title	Title of the relative	
rel_prefix	varchar	16	N	Y	Relative Name Prefix	Name suffix of the relative	
rel_suffix	varchar	16	N	Y	Relative Name Suffix	Name prefix of the relative	
rel_prof_suffix	varchar	16	N	Y	Relative Professional Suffix	Professional suffix of the relative	
rel_name_type_mne	char	1	N	Y	Name Type	System-defined value that identifies the type of name	Allowable values are: A - Alias Name L - Legal Name M - Maiden Name N - Nickname S - Pseudo Name U- Unspecified

Column	D.Type	Len	PK	OP	Field	Description	Notes
rel_addr1	varchar	32	N	Y	Relative Address	First line of address for the relative	
rel_addr2	varchar	32	N	Y	Relative Address	Second line of address for the relative	
rel_city	varchar	32	N	Y	Relative City	City portion of address for the relative	
rel_county	varchar		N	Y	Relative County	County the relative resides in	
rel_state	varchar	32	N	Y	Relative State	State portion of address for the relative	
rel_zip	varchar	16	N	Y	Relative Zip Code	Postal code or zip code portion of address for the relative	
rel_country	varchar	16	N	Y	Relative Country	Country portion of address for the relative	
rel_addr_type_mne	char	3	N	Y	Address Type	System-defined value that identifies the type of address	Allowable values are: B - Business C - Current or Temporary L - Legal H - Home M - Mailing O - Office P - Permanent
rel_phone	varchar	23	N	Y	Relative Phone Number	Phone number for the relative	
rel_phone_country_cd	varchar	3	N	Y	Relative Phone Country Code	Country code portion of the phone number for the relative	
rel_phone_area_cd	varchar	5	N	Y	Relative Phone Area Code	Area code portion of the phone number for the relative	
rel_phone_local_val	varchar	9	N	Y	Relative Phone Local Value	Local portion of the phone number for the relative	
rel_phone_ext_val	varchar	5	N	Y	Relative Phone Extension	Extension portion of the phone number for the relative	
rel_phone_cmnt	varchar	32	N	Y	Relative Phone comment	Free text comment related to the phone number for the relative	

Column	D.Type	Len	PK	OP	Field	Description	Notes
rel_work_phone	varchar	23	N	Y	Relative Work Phone Number	Work phone number for the relative	
rel_work_country_cd	varchar	3	N	Y	Relative Work Phone Country Code	Country code portion of the phone number for the relative	
rel_work_area_cd	varchar	5	N	Y	Relative Work Phone Area Code	Area code portion of the phone number for the relative	
rel_work_local_val	varchar	9	N	Y	Relative Work Phone Local Value	Local portion of the phone number for the relative	
rel_work_ext_val	varchar	5	N	Y	Relative Work Phone Extension	Extension portion of the phone number for the relative	
rel_work_phone_cmnt	varchar	32	N	Y	Relative Work Phone comment	Free text comment related to the phone number for the relative	
rel_cellular	varchar	23	N	Y	Relative Cell Phone Number	Cell phone number for the relative	
rel_cellular_country_cd	varchar	3	N	Y	Relative Cell Phone Country Code	Country code portion of the phone number for the relative	
rel_cellular_area_cd	varchar	5	N	Y	Relative Cell Phone Area Code	Area code portion of the phone number for the relative	
rel_cellular_local_val	varchar	9	N	Y	Relative Cell Phone Local Value	Local portion of the phone number for the relative	
rel_cellular_ext_val	varchar	5	N	Y	Relative Cell Phone Extension	Extension portion of the phone number for the relative	
rel_cellular_cmnt	varchar	32	N	Y	Relative Cell Phone Comment	Free text comment related to the cell phone number for the relative	
email	varchar	128	N	Y	Email Address	Email address for the relative	
email_cmnt	varchar	32	N	Y	Email Address Comment	Free text comment related to the email address for the relative	
cntc_id	varchar	15	N	Y	Contact Identifier	Value that uniquely identifies the organization that is responsible for the patient	

Column	D.Type	Len	PK	OP	Field	Description	Notes
cntc_name	varchar	30	N	Y	Contact Name	Name of organization that is responsible for the patient	
cntc_name_type_mne	char	1	N	Y	Name Type	System-defined value that identifies the type of name	Allowable values are: A - Alias Name L - Legal Name M - Maiden Name N - Nickname S - Pseudo Name U- Unspecified
cntc_id_iss_auth	varchar	32	N	Y	Contact Identifier Issuing Authority	Accrediting authority or agency that issued the Contact Identifier	
cntc_id_object_id_val	varchar	199	N	Y	Contact Identifier Object Identifier Value	Object Identifier (OID) of the accrediting authority or agency that issued the Contact Identifier	
cntc_id_object_id_type_mne	varchar	6	N	Y	Contact Identifier Object Identifier Type Mnemonic	Object Identifier Value Type	

### patient

Dynamic table that contains the hospital or institution-specific identifiers for a person who receives services from a health care provider. A maximum of three previous medical record numbers and three user-defined patient identifiers are maintained for a patient.

Referenced in Data Model Diagrams(s): Overview, Patient

Column	D.Type	Len	PK	OP	Field	Description	Notes
pat_itn	integer		Y	N	Patient Internal Number	System-generated number used to uniquely identify a patient	
hosp	char	6	Y	N	Hospital	User-defined identifier of a hospital or other institution who issued the patient identifier	
pt_rad_no	char	12	N	N	Patient Radiology Number		Not valued
pt_med_rec_no	char	12	N	N	Patient Medical Record Number	Hospital Information System-assigned number that uniquely identifies a patient within an institution	Default value ""

Column	D.Type	Len	PK	OP	Field	Description	Notes
user_defined_key	char	12	N	N	User Defined Key	User-defined identifier for the patient	Default value ""
prev_med_rec_no1	char	12	N	Y	Previous Medical Record Number	Previous medical record number for the patient	Previous value of medical record number
prev_med_rec_no2	char	12	N	Y	Previous Medical Record Number	Previous medical record number for the patient	Previous value of prev_med_rec_no1
prev_med_rec_no3	char	12	N	Y	Previous Medical Record Number	Previous medical record number for the patient	Previous value of prev_med_rec_no2
cng_user_init	char	6	N	Y	Change User Initials	User who made the revision	
cng_sys_id	char	6	N	Y	Change System Identifier	System that made the revision	
prev_user_def_key1	char	12	N	Y	Previous User Defined Key	Previous user-defined identifier for the patient	Previous value of user defined key
prev_user_def_key2	char	12	N	Y	Previous User Defined Key	Previous user-defined identifier for the patient	Previous value of prev_user_def_key1
prev_user_def_key3	char	12	N	Y	Previous User Defined Key	Previous user-defined identifier for the patient	Previous value of prev_user_def_key2

### pt\_id

Dynamic table that contains additional user-defined identifiers for a patient. For example, driver's license number is commonly defined user-defined patient type.

Referenced in Data Model Diagrams(s): Patient

Column	D.Type	Len	PK	OP	Field	Description	Notes
pat_itn	integer		Y	N	Patient Internal Number	System-generated number used to uniquely identify a patient	
pt_id_type_mne	char	6	N	N	Patient Identifier Type Mnemonic	User-defined value that uniquely identifies the type of patient identifier value	
iss_hosp	varchar	12	N	N	Issuing Hospital	User-defined identifier of a hospital or other institution that issued the patient identifier	
pt_id_val	char	16	N	N	Patient Identifier Value	User- or system- assigned patient identifier with a	Default value ""



Column	D.Type	Len	PK	OP	Field	Description	Notes
						user-defined patient identifier type mnemonic	

### pt\_id\_type

System and user-defined types of patient identifiers. Each system-defined type corresponds to a specific data item in the tables pat\_corp or patient; user defined types correspond to a specific data item in table pt\_id.

Referenced in Data Model Diagrams(s): Patient

Column	D.Type	Len	PK	OP	Field	Description	Notes
pt_id_type_mne	char	6	Y	N	Patient Identifier Type Mnemonic	System or user-defined value that uniquely identifies a patient identifier type	System values are: CORP - Corporate CRPUSR - Corp User ID LAB - Lab ID MPI - Master Patient Index MRN - Medical Records SSN - Social Security No USER - User ID
pt_id_type_name	varchar	30	N	N	Patient Identifier Type Name	System or user-defined name of the patient identifier type	
unique_ind	tinyint		N	N	Unique Indicator	Indicates whether uniqueness is required	Allowable values are: 0 - No 1 - Yes

### qa\_flag

System and user-defined table that contains the different symbols used to alert care providers of failures in normal value, panic limit, attention limit, technical limit, and/or delta limit checks.

Referenced in Data Model Diagrams(s): Result, Changed Result

Column	D.Type	Len	PK	OP	Field	Description	Notes
qa_flag_mne	char	6	Y	N	Quality Assurance Flag Mnemonic	System-defined value that uniquely identifies a normal value, panic limit, attention limit, delta limit, or technical limit flag	Allowable values are: ATTH - Attention High ATTL - Attention Low ATTT - Attention Text ATTU - Attention - Unable to Determine DTA - Delta Limit Fail DTAU - Delta - Unable to Determine NU - Normal - Unable to Determine NVH - Normal Value High

Column	D.Type	Len	PK	OP	Field	Description	Notes
							NVL - Normal Value Low NVT - Normal Value Text PH - Panic High PL - Panic Low PT - Panic Text PU - Panic - Unable to Determine TH - Technical High TL - Technical Low TU - Technical - Unable to Determine
qa_flag_desc	varchar	60	N	Y	Quality Assurance Flag Description	System-defined description of quality assurance flag	
qa_type_mne	char	6	N	N	Quality Assurance Type Mnemonic	System-defined value that uniquely identifies a type of quality assurance checking	Allowable values are: ATT - Attention Limit DELTA - Delta Limit NORMAL - Normal Value PANIC - Panic Limit TECH - Technical Limit
qa_flag_val	char	3	N	N	Quality Assurance Flag Value	User-defined value used for a test result that fails quality assurance checking for normal limit, attention limit, critical limit, delta limit, or technical limit	
qa_flag_name	varchar	30	N	N	Quality Assurance Flag Name	User-defined name of the quality assurance flag that displays on a patient report	
qa_flag_seq_val	tinyint		N	N	Quality Assurance Flag Sequence Value	User-assigned number that is used to order the display of quality assurance values on a patient report	
row_color_mne	char	7	N	Y	Row Color Mnemonic	System-defined value that uniquely identifies a row color used for display of results in the system	Allowable values are: BLUE BROWN GREEN MAGENTA NONE RED YELLOW

Column	D.Type	Len	PK	OP	Field	Description	Notes
gen_warn_msg_ind	tinyint		N	N	Generate Warning Message Indicator	Indicates whether or not a warning message displays to the user when an entered result fails quality assurance checking	Allowable values are: 0 - No 1 - Yes

**race**

User-defined table that contains the values used to identify the race of a patient.

Referenced in Data Model Diagrams(s): Patient

Column	D.Type	Len	PK	OP	Field	Description	Notes
race_id	char	1	Y	N	Race Identifier	User-defined value that uniquely identifies a race	
race_desc	varchar	30	N	N	Race Description	User-defined description of the race	

**rslt\_hist**

Dynamic table that contains the prior results for a post-release changed individual test result.

Referenced in Data Model Diagrams(s): Test Comment, Changed Result

Column	D.Type	Len	PK	OP	Field	Description	Notes
rslt_hist_no	integer		Y	N	Result History Number	System-generated number that uniquely identifies a current or past result	
hist_seq_no_val	tinyint		N	N	History Sequence Number Value	System-generated number that tracks the order in which a result or comment was altered over time	
sched_indv_test_no	integer		N	N	Scheduled Individual Test Number	System-generated number that uniquely identifies an individual test that is scheduled to be performed	
rslt_seq_no_val	tinyint		N	N	Result Sequence Number Value	System-generated number that uniquely identifies and sequences each result for an individual test.	
prt_supp_ind	tinyint		N	N	Print Suppression Indicator	Indicates whether results or comments should be suppressed from printing on a patient report	Allowable values are: 0 - No 1 - Yes

Column	D.Type	Len	PK	OP	Field	Description	Notes
rslt_type_mne	char	6	N	Y	Result Type Mnemonic	System-defined value that uniquely identifies a type of result	Allowable values are: CODE - Coded Text Result DATETM- Date and Time Result EXPRDT- Specimen Expiration Date/Time FREE - Free Text Result LOT - Blood Product Lot Number MIC - MIC Ratio Result NUM - Numeric Result ORG - Organism PRCD - Blood Product Code PRDDSC- Blood Product Description PRDID - Blood Product ID QTY - Quantity RH - Rh Factor STATUS- Blood Unit Status Description TYPE - Blood Type UNIT - Blood Product Unit ID VOL - Volume XMATCH- Crossmatch Result
rslt_use_type_mne	char	6	N	N	Result Use Type Mnemonic	System-defined value that uniquely identifies the intended use of the associated lab test result	Allowable values are: MAIN – Main Result Value REP – Repeat Result Value SEC – Secondary Result Value
curr_rslt_sts_mne	char	6	N	N	Current Result Status Mnemonic	System-defined value that uniquely identifies a result status	Allowable values are: CAN - Cancelled COMP - Completed DIS - Discontinued ENT - Entered PEND - Pending

Column	D.Type	Len	PK	OP	Field	Description	Notes
							REL - Released REV - Reviewed
rslt_sts_dtime	smallmtime		N	N	Result Status Date Time	Date and time the result status was updated	
num_rslt_val	varchar	16	N	Y	Numeric Result Value	Actual numeric result for an individual test	
spcl_char_val	char	2	N	Y	Special Character Value	Special character (<, >, <=, >=) used for numeric results	
gen_cmnt_mne	char	1	N	N	General Comment Mnemonic	System-assigned value indicating whether the associated result contains a general comment	Valued to C if the associated result contains a general comment.  Default value ""
call_cmnt_mne	char	1	N	N	Call Comment Mnemonic	System-assigned value indicating whether the associated result contains a call comment	Valued to T if the associated result contains a call comment.  Default value ""
cng_rslt_cmnt_mne	char	1	N	N	Changed Result Comment Mnemonic	System-assigned value indicating whether the associated result contains a post-release change comment	Valued to Z if the associated result contains a post_release change comment.  Default value ""
del_cmnt_mne	char	1	N	N	Deleted Comment Mnemonic	System-assigned value indicating whether a comment was deleted from the associated result	Valued to K if a comment was deleted from the associated result.  Default value ""
meth_id	char	6	N	Y	Method Identifier	User-defined value that uniquely identifies a method of performing a clinical laboratory test	
uom_id	char	5	N	Y	Unit of Measure Identifier	User-defined value that uniquely identifies a unit of measure for a test.	
uom_name	varchar	30	N	Y	Unit of Measure Name	Actual unit of measure that is displayed for a test	
sys_id	char	6	N	Y	System Identifier	System that performed the result	

Column	D.Type	Len	PK	OP	Field	Description	Notes
rslt_val_acq_dtime	datetime		N	Y	Result Value Acquisition Date and Time	Date and time the result was received by the Lab system from an interfaced foreign system or instrument	
cup_no_val	char	6	N	Y	Cup Number Value	Location of sample on an interfaced clinical lab analyzer	
tray_no_val	char	10	N	Y	Tray Number Value	Location of sample on an interfaced clinical lab analyzer	
xlate_text_id	char	10	N	Y	Sensitivity Translate Text Identifier	User-defined value that uniquely identifies the sensitivity or resistance of the isolated organism to an antimicrobial	
cost_cd_val	char	10	N	Y	Cost Code Value	User-defined value indicating the relative cost of therapy with a particular antimicrobial drug	
spcl_id	char	6	N	Y	Specialty Identifier	User-defined value used for grouping tests based on an area of knowledge or study in the laboratory	
clin_signf_mne	char	6	N	Y	Clinical Significance Mnemonic	System-defined values used to specify clinical significance of a microbiology culture	Allowable values are: NOTDET – Significance Not Determined NSG – Not Significant SIG – Significant
signf_dtime	smallmtime		N	Y	Clinical Significance Date and Time	Date and Time the clinical significance of a microbiology culture was determined	
signf_user_init	char	6	N	Y	Clinical Significance User Initials	User who determined clinical significance of a microbiology culture	
qa_eval_dtime	smallmtime		N	Y	Quality Assurance Evaluation Date and Time	Date and time the quality assurance checking for the associated result were evaluated	
qa_sys_id	char	6	N	Y	Quality Assurance System Identifier	System that performed quality assurance checking for the test result	

Column	D.Type	Len	PK	OP	Field	Description	Notes
nrml_qa_text	varchar	250	N	Y	Normal Quality Assurance Text	User-defined text that represents the normal limit qa value or range	
nrml_qa_flag_val	char	3	N	Y	Normal Quality Assurance Flag	User-defined value used for a test result that failed quality assurance checking for normal limit	
atn_qa_text	varchar	250	N	Y	Attention Quality Assurance Text	User-defined text that represents the attention limit qa value or range	
atn_qa_flag_val	char	3	N	Y	Attention Quality Assurance Flag	User-defined value used for a test result that failed quality assurance checking for attention limit	
crit_qa_text	varchar	250	N	Y	Critical Quality Assurance Text	User-defined text that represents the critical qa value or range	
crit_qa_flag_val	char	3	N	Y	Critical Quality Assurance Flag	User-defined value used for a test result that failed quality assurance checking for critical limit	
tech_qa_text	varchar	250	N	Y	Technical Limit Quality Assurance Text	User-defined text that represents the technical qa value or range	
tech_qa_flag_val	char	3	N	Y	Technical Quality Assurance Flag	User-defined value used for a test result that failed quality assurance checking for technical limit	
delta_qa_text	varchar	250	N	Y	Delta Quality Assurance Text	User-defined text that represents the delta qa value or range	
delta_qa_flag_val	char	3	N	Y	Delta Quality Assurance Flag	User-defined value used for a test result that failed quality assurance checking for delta limit	
prev_rslt_val_text	varchar	100	N	Y	Previous Result Value Text	Text that represents the most recent previously released result	
delta_lim_calc_val	varchar	16	N	Y	Delta Limit Calculation Value	Result of a delta limit calculation	
rpt_extrn_ind	tinyint		N	N	Report Externally Indicator		Not valued

Column	D.Type	Len	PK	OP	Field	Description	Notes
stat_incl_ind	tinyint		N	N	Statistic Include Indicator	Indicates whether or not the organism result should be included in statistics for epidemiology reports.	Allowable values are: 0 - No 1 - Yes
cng_no	integer		N	N	Change Number	System-generated number which is used to manage concurrent database updates	Valued to 1 when the record is initially created, and then incremented with each subsequent change
frgn_obsv_id_val	varchar	20	N	Y	Foreign Observation Identifier Value	External identifier received from the interfaced clinical lab analyzer that uniquely identifies the result	
instr_flag_val	varchar	30	N	Y	Instrument Flag Value	List of concatenated error flags received for the result from an interfaced clinical lab analyzer	
clin_std_mne	char	6	N	Y	Clinical Standards Mnemonic	Method used for antimicrobial susceptibility testing	Allowable values are: MIC - MIC Interpretative Standard ZONE - Zone Diameter Interpretative Standard

### **rslt\_hist\_text**

Dynamic table that contains the text (and sequencing if multiple texts in a post-release changed result. The table is a copy of rslt\_seq\_text.

Referenced in Data Model Diagram(s): Changed Result

Column	D.Type	Len	PK	OP	Field	Description	Notes
rslt_hist_no	integer		Y	N	Result History Number	System-generated number that uniquely identifies a current or past result	
link_seq_no_val	tinyint		Y	N	Link Sequence Number Value	Indicates the sequence of a text value within a single comment that consists of multiple coded texts	
sched_indv_test_no	integer		N	N	Scheduled Individual Test Number	System-generated number that uniquely identifies an individual test that is scheduled to be performed	
rslt_seq_no_val	tinyint		N	N	Result Sequence Number Value	System-generated number that uniquely identifies and sequences	



Column	D.Type	Len	PK	OP	Field	Description	Notes
						each result for an individual test.	
org_no	integer		N	N	Organism Number	System-generated number that uniquely identifies an individual microbiology organism or organism group	Default value 0
text_id	char	10	N	Y	Text Identifier	User-defined value which uniquely identifies a coded text value	
short_text_val	varchar	80	N	Y	Short Text Value	Text for the coded text value	Contains entire text for coded text less than 80 characters, and the first 80 characters if text exceeds 80 characters
truncate_ind	tinyint		N	N	Truncate Indicator	Indicates whether the short text value contains the entire coded text value	Allowable values are: 0 - No 1 - Yes
full_text	text		N	Y	Full Text	Complete text for the coded text value	
new_line_ind	tinyint		N	N	New Line Indicator	Indicates whether a carriage return is forced between concatenated coded text used as results or comments	Allowable values are: 0 - No 1 - Yes

### rslt\_seq

Dynamic table that contains the most current outcome(s) for an individual test. A test may be released with a rslt\_use\_type\_mne of MAIN and (for Micro / Blood Bank) one or more SEC results, but any REP results must be reviewed and deleted before a result can be released for the test. REP results are only created through an instrument interface if the MAIN result has not yet been released.

Referenced in Data Model Diagrams(s): Overview, Individual Test, Result, Status, Test Comment, Blood Bank Result

Column	D.Type	Len	PK	OP	Field	Description	Notes
rslt_hist_no	integer		Y	N	Result History Number	System-generated number that uniquely identifies a current or past result	
hist_seq_no_val	tinyint		N	N	History Sequence Number Value	System-generated number that tracks the order in which a result or	

Column	D.Type	Len	PK	OP	Field	Description	Notes
						comment was altered over time	
sched_indv_test_no	integer		N	N	Scheduled Individual Test Number	System-generated number that uniquely identifies an individual test that is scheduled to be performed	
rslt_seq_no_val	tinyint		N	N	Result Sequence Number Value	System-generated number that uniquely identifies and sequences each result for an individual test.	
prt_supp_ind	tinyint		N	N	Print Suppression Indicator	Indicates whether results or comments should be suppressed from printing on a patient report	Allowable values are: 0 - No 1 - Yes
rslt_type_mne	char	6	N	Y	Result Type Mnemonic	System-defined value that uniquely identifies a type of result	Allowable values are: CODE - Coded Text Result DATETM- Date and Time Result EXPRDT - Specimen Expiration Date/Time FREE - Free Text Result LOT - Blood Product Lot Number MIC - MIC Ratio Result NUM - Numeric Result ORG - Organism PRDCD - Blood Product Code PRDDSC- Blood Product Description PRDID - Blood Product ID QTY - Quantity RH - Rh Factor STATUS- Blood Unit Status Description TYPE - Blood Type UNIT - Blood Product Unit ID VOL - Volume

Column	D.Type	Len	PK	OP	Field	Description	Notes
							XMATCH- Crossmatch Result
rslt_use_type_mne	char	6	N	N	Result Use Type Mnemonic	System-defined value that uniquely identifies the intended use of the associated lab test result	Allowable values are: MAIN – Main Result Value REP – Repeat Result Value SEC – Secondary Result Value
curr_rslt_sts_mne	char	6	N	N	Current Result Status Mnemonic	System-defined value that uniquely identifies a result status	Allowable values are: CAN - Cancelled COMP - Completed DIS - Discontinued ENT - Entered PEND - Pending REL - Released REV - Reviewed
rslt_sts_dtime	smallmtime		N	N	Result Status Date Time	Date and time the result status was updated	
num_rslt_val	varchar	16	N	Y	Numeric Result Value	Actual numeric result of an individual test	
spcl_char_val	char	2	N	Y	Special Character Value	Special character (<, >, <=, >=) used for numeric results	
gen_cmnt_mne	char	1	N	N	General Comment Mnemonic	System-assigned value indicating whether the associated result contains a general comment	Valued to C if the associated result contains a general comment. Default value ""
call_cmnt_mne	char	1	N	N	Call Comment Mnemonic	System-assigned value indicating whether the associated result contains a call comment	Valued to T if the associated result contains a call comment. Default value ""
cng_rslt_cmnt_mne	char	1	N	N	Changed Result Comment Mnemonic	System-assigned value indicating whether the associated result contains a post-release change comment	Valued to Z if the associated result contains a post release change comment. Default value ""
del_cmnt_mne	char	1	N	N	Deleted Comment Mnemonic	System-assigned value indicating whether a	Valued to K if a comment was deleted

Column	D.Type	Len	PK	OP	Field	Description	Notes
						comment was deleted from the associated result	from the associated result.  Default value ""
meth_id	char	6	N	Y	Method Identifier	User-defined value that uniquely identifies a method of performing a clinical laboratory test	
uom_id	char	5	N	Y	Unit of Measure Identifier	User-defined value that uniquely identifies a unit of measure for a test.	
uom_name	varchar	30	N	Y	Unit of Measure Name	Actual unit of measure that is displayed for a test	
sys_id	char	6	N	Y	System Identifier	System that performed the result	
rslt_val_acq_dtime	datetime		N	Y	Result Value Acquisition Date and Time	Date and time the result was received by the Lab system from an interfaced foreign system or instrument	
cup_no_val	char	6	N	Y	Cup Number Value	Location of sample on an interfaced clinical lab analyzer	
tray_no_val	char	10	N	Y	Tray Number Value	Location of sample on an interfaced clinical lab analyzer	
xlate_text_id	char	10	N	Y	Sensitivity Translate Text Identifier	User-defined value that uniquely identifies the sensitivity or resistance of the isolated organism to an antimicrobial	
cost_cd_val	char	10	N	Y	Cost Code Value	User-defined value that indicates the relative cost of therapy with a particular antimicrobial drug	
spcl_id	char	6	N	Y	Specialty Identifier	User-defined value used for grouping tests based on an area of knowledge or study in the laboratory	
clin_signf_mne	char	6	N	Y	Clinical Significance Mnemonic	System-defined value used to specify clinical significance of a microbiology culture	Allowable values are:  NOTDET - Significance Not Determined NSG - Not Significant

Column	D.Type	Len	PK	OP	Field	Description	Notes
							SIG - Significant
signf_dtime	smallmtime		N	Y	Clinical Significance Date and Time	Date and time the clinical significance of a microbiology culture was determined	
signf_user_init	char	6	N	Y	Clinical Significance User Initials	User who determined clinical significance of a microbiology culture	
qa_eval_dtime	smallmtime		N	Y	Quality Assurance Evaluation Date and Time	Date and time the quality assurance checking for the associated result were evaluated	
qa_sys_id	char	6	N	Y	Quality Assurance System Identifier	System that performed quality assurance checking for the test result	
nrm_l_qa_text	varchar	250	N	Y	Normal Quality Assurance Text	User-defined text that represents the normal limit qa value or range	
nrm_l_qa_flag_val	char	3	N	Y	Normal Quality Assurance Flag	User-defined value used for a test result that failed quality assurance checking for normal limit	
atn_qa_text	varchar	250	N	Y	Attention Quality Assurance Text	User-defined text that represents the attention limit qa value or range	
atn_qa_flag_val	char	3	N	Y	Attention Quality Assurance Flag	User-defined value used for a test result that failed quality assurance checking for attention limit	
crit_qa_text	varchar	250	N	Y	Critical Quality Assurance Text	User-defined text that represents the critical qa value or range	
crit_qa_flag_val	char	3	N	Y	Critical Quality Assurance Flag	User-defined value used for a test result that failed quality assurance checking for critical limit	
tech_qa_text	varchar	250	N	Y	Technical Limit Quality Assurance Text	User-defined text that represents the technical qa value or range	
tech_qa_flag_val	char	3	N	Y	Technical Quality Assurance Flag	User-defined value used for a test result that failed quality assurance checking for technical limit	

Column	D.Type	Len	PK	OP	Field	Description	Notes
delta_qa_text	varchar	250	N	Y	Delta Quality Assurance Text	User-defined text that represents the delta qa value or range	
delta_qa_flag_val	char	3	N	Y	Delta Quality Assurance Flag	User-defined value used for a test result that failed quality assurance checking for delta limit	
prev_rslt_val_text	varchar	100	N	Y	Previous Result Value Text	Text that represents the most recent previously released result	
delta_lim_calc_val	varchar	16	N	Y	Delta Limit Calculation Value	Result of a delta limit calculation	
rpt_extrn_ind	tinyint		N	N	Report Externally Indicator		Not valued
stat_incl_ind	tinyint		N	N	Statistic Include Indicator	Indicates whether or not the organism result should be included in statistics for epidemiology reports.	Allowable values are: 0 - No 1 - Yes
cng_no	integer		N	N	Change Number	System-generated number which is used to manage concurrent database updates	Valued to 1 when the record is initially created, and then incremented with each subsequent change
frgn_obsv_id_val	varchar	20	N	Y	Foreign Observation Identifier Value	External identifier received from the Blood Bank system that uniquely identifies the result	
instr_flag_val	varchar	30	N	Y	Instrument Flag Value	List of concatenated error flags received for the result from an interfaced clinical lab analyzer	
clin_std_mne	char	6	N	Y	Clinical Standards Mnemonic	Method used for antimicrobial susceptibility testing	Allowable values are: MIC - MIC Interpretative Standard ZONE - Zone Diameter Interpretative Standard

**rslt\_seq\_text**

Dynamic table that contains the text recorded as current outcomes for individual tests.

Referenced in Data Model Diagram(s): Overview, Result, Blood Bank Result

Column	D.Type	Len	PK	OP	Field	Description	Notes
sched_indv_test_no	integer		Y	N	Scheduled Individual Test Number	System-generated number that uniquely identifies an individual test that is scheduled to be performed	
rslt_seq_no_val	tinyint		Y	N	Result Sequence Number Value	System-generated number that uniquely identifies and sequences each result for an individual test.	
link_seq_no_val	tinyint		Y	N	Link Sequence Number Value	Indicates the sequence of a text value within a single comment that consists of multiple coded texts	
rslt_hist_no	integer		N	N	Result History Number	System-generated number that uniquely identifies a current or past result	
org_no	integer		N	N	Organism Number	System-generated number that uniquely identifies an individual microbiology organism or organism group	Default value 0
text_id	char	10	N	Y	Text Identifier	User-defined value which uniquely identifies a coded text value	
short_text_val	varchar	80	N	Y	Short Text Value	Text for the coded text value	Contains entire text for coded text less than 80 characters, and the first 80 characters if text exceeds 80 characters
truncate_ind	tinyint		N	N	Truncate Indicator	Indicates whether the short text value contains the entire coded text value	Allowable values are: 0 - No 1 - Yes
full_text	text		N	Y	Full Text	Complete text for the coded text value	
new_line_ind	tinyint		N	N	New Line Indicator	Indicates whether a carriage return is forced between concatenated	Allowable values are: 0 - No

Column	D.Type	Len	PK	OP	Field	Description	Notes
						coded text used as results or comments	1 - Yes

**rslt\_sts**

Dynamic table that contains the status information for each test result. A result status of "pending" is indicated by the lack of a row in this table for the Scheduled Individual Test Number (sched\_indv\_test\_no).

Referenced in Data Model Diagram(s): Overview, Result, Changed Result

Column	D.Type	Len	PK	OP	Field	Description	Notes
rslt_hist_no	integer		Y	N	Result History Number	System-generated number that uniquely identifies a current or past result	Default value 0
sched_indv_test_no	integer		N	N	Scheduled Individual Test Number	System-generated number that uniquely identifies an individual test that is scheduled to be performed	
rslt_seq_no_val	tinyint		N	N	Result Sequence Number Value	System-generated number that uniquely identifies and sequences each result for an individual test.	
rslt_ent_dtime	smallmtime		N	N	Result Enter Date and Time	Date and time the result was entered	Default value "Jan 1, 1900 12:00AM"
ent_user_init	char	6	N	N	Enter User Initials	User who entered the result	Default value ""
ent_sys_id	char	6	N	N	Enter System Identifier	System that entered the result	Default value ""
rslt_rls_dtime	smallmtime		N	N	Result Release Date and Time	Date and time the result was released	Default value "Jan 1, 1900 12:00AM"
rls_user_init	char	6	N	N	Release User Initials	User who released the result	Default value ""
rls_sys_id	char	6	N	N	Release System Identifier	System that released the result	Default value ""
rslt_rvw_dtime	smallmtime		N	N	Result Review Date and Time	Date and time the result was reviewed	Default value "Jan 1, 1900 12:00AM"
rvw_user_init	char	6	N	N	Review User Initials	User who reviewed the result	Default value ""
rvw_sys_id	char	6	N	N	Review System Identifier	System that reviewed the result	Default value ""



Column	D.Type	Len	PK	OP	Field	Description	Notes
rslt_cng_dtime	smallmtime		N	Y	Result Change Date and Time	Date and time the result was changed	
cng_user_init	char	6	N	Y	Change User Initials	User who made the revision	Valued if cng_sys_id is not valued
cng_sys_id	char	6	N	Y	Change System Identifier	System that made the revision	Valued if cng_user_init is not valued
rslt_cncl_dtime	smallmtime		N	Y	Result Cancel Date and Time	Date and time the test was canceled	
cncl_user_init	char	6	N	Y	Cancel User Initials	User who canceled the test	
cncl_sys_id	char	6	N	Y	Cancel System Identifier	System that canceled the test	
rslt_discont_dtime	smallmtime		N	Y	Result Discontinue Date and Time	Date and time the test was discontinued	
discont_user_init	char	6	N	Y	Discontinue User Initials	User who discontinued the test	
discont_sys_id	char	6	N	Y	Discontinue System Identifier	System that discontinued the test	

### **sched\_indv\_test**

Dynamic table that contains all individual tests that are scheduled to be or have already been performed. Every test result is related to exactly one Scheduled Individual Test. Every Ordered Test is related to one or more Scheduled Individual Tests.

Referenced in Data Model Diagrams(s): Overview, Specimen Test, Individual Test, Result, Status, Blood Bank Result

Column	D.Type	Len	PK	OP	Field	Description	Notes
sched_indv_test_no	integer		Y	N	Scheduled Individual Test Number	System-generated number that uniquely identifies an individual test that is scheduled to be performed	
rqst_hosp	char	6	N	N	Requesting Hospital	User-defined identifier of the hospital or institution responsible for the care of the patient	
ord_hosp	char	6	N	N	Ordering Hospital	User-defined identifier of the hospital or institution where the order originated	
perf_hosp	char	6	N	N	Performing Hospital	User-defined identifier of the hospital or institution responsible for results entry	Default value ""

Column	D.Type	Len	PK	OP	Field	Description	Notes
wklst_id	char	10	N	Y	Worklist Identifier	User-defined identifier of a worklist used to manage workflow in the laboratory	
test_no	integer		N	N	Test Number	System-generated number that uniquely identifies a laboratory test	
test_id	char	8	N	N	Test Identifier	User-defined identifier of an individual test	
sched_sts_mne	char	6	N	Y	Schedule Status Mnemonic		Not valued
sched_sts_dtime	smallmtime		N	Y	Schedule Status Date and Time		Not valued
ord_sts_mne	char	6	N	N	Order Status Mnemonic	System-defined value that uniquely identifies the various phases of an order	Allowable values are: CAN - Cancelled ORD - Ordered
ord_sts_dtime	smallmtime		N	N	Order Status Date and Time	Date and time the order status was updated	
cncl_user_init	char	6	N	Y	Cancel User Initials	User who canceled the test	
cncl_sys_id	char	6	N	Y	Cancel System Identifier	System that canceled the test	
cncl_cmnt_text	varchar	250	N	Y	Cancel Comment Text	Reason the associated test was canceled	
spcmn_test_no	integer		N	N	Specimen Test Number	System-generated number that uniquely identifies the collectable test for a specimen	
visit_itn	integer		N	N	Visit Internal Number	System-generated number that uniquely identifies a particular visit or health care encounter	
coll_dtime	smallmtime		N	N	Collection Date and Time	Date and time the order is/was collected	Valued to scheduled collection data and time if sample is not collected
calc_cmpnt_ind	tinyint		N	N	Calculation Component Indicator	Indicates whether the result value of the test is used in the calculation of another test result	Allowable values are: 0 - No 1 - Yes
call_req_ind	tinyint		N	N	Call Requested Indicator	Indicates whether the result value of the test should be called to health care providers	Allowable values are: 0 - No 1 - Yes

Column	D.Type	Len	PK	OP	Field	Description	Notes
isolate_no_val	tinyint		N	N	Isolate Number Value	System-generated number that identifies the microbiology isolate (organism) that the associated test is linked to	Default value 0
add_test_dtime	smalltime		N	Y	Add Test Date and Time	Date and time the test was added	
add_test_grp_no	integer		N	N	Add Test Group Number	System-generated number that uniquely identifies a test group that is added to a specimen test	Default value 0
add_user_init	char	6	N	Y	Add User Initials	User who added the test	
add_sys_id	char	6	N	Y	Add System Identifier	System that added the test	
add_rsn_descp	varchar	40	N	Y	Add Reason Description	System-defined reason for adding a test or procedure	
spcl_id	char	6	N	Y	Specialty Identifier	User-defined value used for grouping tests based on an area of knowledge or study in the laboratory	
prcs_auto_ent_ind	tinyint		N	N	Process Auto Entry Text Indicator	Indicates whether the associated test has auto entry text rules defined	Allowable values are: 0 - No 1 - Yes
auto_ent_cmpnt_ind	tinyint		N	N	Auto Entry Component Indicator	Indicates whether the result value of the associated test is used as a component in auto entry text rules for another test	Allowable values are: 0 - No 1 - Yes
text_ind	tinyint		N	N	Text Indicator		Not supported Valued to 0-No
reflex_cmpnt_ind	tinyint		N	N	Reflex Component Indicator	Indicates whether the result value of the associated test is used as a component in reflex test rules for another test	
child_seq_no_val	tinyint		N	N	Child Sequence Number Value	User-assigned number which sets the relative position of a test within a list of components for a group or set test	

Column	D.Type	Len	PK	OP	Field	Description	Notes
bb_type_mne	char	4	N	Y	Blood Bank Mnemonic	System-defined value that uniquely identifies a specific type of blood bank test	Allowable values are: ABID - Antibody Identification AGID - Antigen Identification CRDT - Cord Blood Test PROD - Product Request TEST - Blood Bank Test
alert_monitor_ind	tinyint		N	Y	Alert Monitor Indicator	Indicates whether the test is eligible for Alert Monitor processing	Allowable values are: 0 - No 1 - Yes
flag_cmpnt_ind	tinyint		N	N	Flag Component Indicator	Indicates whether the result value of the associated test is used as a component in result flag rules for another test	Allowable values are: 0 - No 1 - Yes
car_cmpnt_ind	tinyint		N	N	Conditional Antimicrobial Component Indicator	Indicates whether the result value of the associated test is used as a component in conditional antimicrobial rules for another test	Allowable values are: 0 - No 1 - Yes
prcs_car_ind	tinyint		N	N	Process Conditional Antimicrobial Processing Indicator	Indicates whether the associated test has conditional antimicrobial rules defined	Allowable values are: 0 - No 1 - Yes

### sex

User-defined table that contains the values used to identify the gender of a patient.

Referenced in Data Model Diagram(s): Patient

Column	D.Type	Len	PK	OP	Field	Description	Notes
sex_id	char	1	Y	N	Sex Identifier	User-defined value that uniquely identifies the gender	
sex_desc	varchar	30	N	N	Sex Description	User-defined description of the gender	

**sexual\_orient**

User-defined table that contains the values used to identify the sexual orientation of a patient.

Referenced in Data Model Diagram(s): Patient

Column	D.Type	Len	PK	OP	Field	Description	Notes
sexual_orient_id	char	6	Y	N	Sexual Orientation Identifier	User-defined value that uniquely identifies a sexual orientation	
sexual_orient_desc	char	30	N	N	Sexual Orientation Name	User-defined description of the sexual orientation	

**smpl**

Dynamic table that contains container and label processing data for specimens.

Referenced in Data Model Diagram(s): Specimen and Sample

Column	D.Type	Len	PK	OP	Field	Description	Notes
smpl_id	char	10	Y	N	Sample Identifier	System-generated value that uniquely identifies a sample for laboratory analysis	
cntnr_id	char	6	N	N	Container Identifier	User-defined value that uniquely identifies an individual container used to collect a sample for laboratory testing	
prt_lbl_dtime	smallmtime		N	Y	Label Print Date and Time	Date and time the sample or aliquot label was printed	
lbl_user_init	char	6	N	Y	Label User Initials	User who printed the sample or aliquot label	
print_cmnt_text	varchar	250	N	Y	Printer Comment Text		Not valued
lbl_prt_sts_mne	char	6	N	N	Label Print Status Mnemonic	System-defined value that uniquely identifies a label print status	Allowable values are: DWNLD - Downloaded PRT - Label Printed PRTPND - Pending Label Print
lbl_prt_sts_dtime	smallmtime		N	N	Label Print Status Date and Time	Date and time the label status was updated	
visit_itn	integer		N	N	Visit Internal Number	System-generated number that uniquely identifies a particular visit or health care encounter	
user fld1_val	varchar	30	N	Y	User Field Value		Not valued

Column	D.Type	Len	PK	OP	Field	Description	Notes
user fld2_val	varchar	30	N	Y	User Field Value		Not valued
cmnt_text1	varchar	80	N	Y	Comment Text	Textual comment associated with the sample	
cmnt_text2	varchar	80	N	Y	Comment Text	Textual comment associated with the sample	
parent_smpl_id	char	10	N	N	Parent Sample Identifier	Sample Identifier of the immediate parent sample if the associated sample is an aliquot	Default value ""
child_smpl_id_text	varchar	255	N	Y	Child Sample Identifier Text	System-generated text string consisting of the concatenated Sample Identifiers for all the child samples (aliquots) of the associated sample	Sample Identifiers are separated by commas
cmnt_user_init1	char	6	N	Y	Comment User Initials	User who added the comment	
cmnt_dtime1	smallmtime		N	Y	Comment Date and Time	Date and time the comment was added	
cmnt_user_init2	char	6	N	Y	Comment User Initials	User who added the comment	
cmnt_dtime2	smallmtime		N	Y	Comment Date and Time	Date and time the comment was added	
cmnt_text3	varchar	80	N	Y	Comment Text	Textual comment associated with the sample	
cmnt_user_init3	char	6	N	Y	Comment User Initials	User who added the comment	
cmnt_dtime3	smallmtime		N	Y	Comment Date and Time	Date and time the comment was added	

### **smpl\_sts**

Dynamic table that contains collection and receipt status information for collectable tests.

Referenced in Data Model Diagram(s): Specimen Test

Column	D.Type	Len	PK	OP	Field	Description	Notes
spcmn_test_no	integer		Y	N	Specimen Test Number	System-generated number that uniquely identifies the collectable test for a specimen	
smpl_sts_type_mne	char	6	Y	N	Sample Status Type Mnemonic	System-defined value that uniquely identifies the states of a collection test	Allowable values are: COLL - Collected

Column	D.Type	Len	PK	OP	Field	Description	Notes
						during the course of specimen procurement	COLSCH - Scheduled for Collection RCVD - Received in Lab
smpl_sts_dtime	smallmtime		Y	N	Sample Status Date and Time	Date and time the sample status was updated	
user_init	char	6	N	N	User Initials	User who performed the specified function	
sys_id	char	6	N	N	System Identifier	System that performed the specified function	
coll_hosp	char	6	N	N	Collection Hospital	User-defined identifier of the hospital or institution responsible for specimen collection	
coll_orgz_id	char	15	N	N	Collection Organization Identifier	User-defined value that uniquely identifies an organization, nurse station, testing site, or clinic responsible for specimen collection	

### smpl\_type

User-defined table that defines the origin of a substance to be tested. It further differentiates the source of the sample. For example, venous blood, arterial blood, blood clot are commonly defined sample types for source blood.

Referenced in Data Model Diagrams(s): Specimen Test

Column	D.Type	Len	PK	OP	Field	Description	Notes
smpl_type_id	char	6	Y	N	Sample Type Identifier	User-defined value that uniquely identifies a sample type	
smpl_type_name	varchar	30	N	N	Sample Type Name	User-defined name of the sample type	
dflt_isolate_ind	tinyint		N	Y	Default Isolate Indicator	Indicates the default sample type for microbiology isolate (organism) tests	Allowable values are: 0 - No 1 - Yes
avail_mne	char	6	N	N	Availability Mnemonic	System-defined value that uniquely identifies the state of availability for the associated sample type	Allowable values are: ACTV - Active INACTV - Inactive BUILD - Build State

**spcmn**

Dynamic table that contains specimen information.

Referenced in Data Model Diagram(s): Overview, Specimen Test, Specimen and Sample, Blood Bank Result

Column	D.Type	Len	PK	OP	Field	Description	Notes
spcmn_id	char	10	Y	N	Specimen Identifier	System-generated or user-assigned identifier of the specimen	
sched_coll_dtime	smallmtime		N	N	Scheduled Collection Date and Time	Date and time the specimen was scheduled to be collected	
hosp	char	6	N	N	Hospital	User-defined identifier of the hospital or institution responsible for the care of the patient	
coll_orgz_id	char	15	N	N	Collection Organization Identifier	User-defined value that uniquely identifies an organization, nurse station, testing site, or clinic responsible for collection	
priority_desc	char	8	N	N	Priority Description	User-defined value that uniquely identifies the precedence for processing specimen collection, testing, and result reporting	
src_id	char	6	N	N	Source Identifier	User-defined value that uniquely identifies the substance to be tested	
coll_wklst_id	char	20	N	N	Collection Worklist Identifier	User-defined identifier of a worklist used to manage collection workflow in the laboratory	
spcmn_state_mne	char	6	N	N	Specimen State Mnemonic	System-defined value that uniquely identifies the state of specimen receipt at the time the order is placed	Allowable values are: CAO - Collected at Order NOTRAO - Not Received at Order RAO - Received at Order
sched_sts_mne	char	6	N	N	Schedule Status Mnemonic		Not valued
sched_sts_dtime	smallmtime		N	N	Schedule Status Date and Time		Not valued



Column	D.Type	Len	PK	OP	Field	Description	Notes
his_lab_coll_mne	char	6	N	Y	HIS Lab Collection Mnemonic	System-defined identifier sent with an order from the Hospital Information System to indicate specimen collection responsibility	Allowable values are: L – Lab to collect O – Nurse/Other to collect
coll_sched_id	char	15	N	Y	Collection Schedule Identifier		Not valued
spcmn_seq_no_val	smallint		N	Y	Specimen Sequence Number Value		Not valued
pt_rm_bed	varchar	6	N	Y	Room and Bed	User-defined value within the nurse station or organization that uniquely identifies the room and bed or physical location of the patient	
contact_orgz_id	char	15	N	Y	Contact Organization Identifier	User-defined value that uniquely identified the organization in the hospital that is responsible for the patient	
device_id	char	6	N	Y	Device Identifier	Device used for order entry	
visit_itn	integer		N	N	Visit Internal Number	System-generated number that uniquely identifies a particular visit or health care encounter	
user_fld1_val	varchar	30	N	Y	User Field		Not valued
user_fld2_val	varchar	30	N	Y	User Field		Not valued
user_fld3_val	varchar	30	N	Y	User Field		Not valued
user_fld4_val	varchar	30	N	Y	User Field		Not valued
cmnt_text1	varchar	80	N	Y	Comment Text	Textual comment associated with the specimen	
cmnt_text2	varchar	80	N	Y	Comment Text	Textual comment associated with the specimen	
ord_comb_elig_ind	tinyint		N	Y	Order Combining Eligible Indicator	Indicator whether or not the associated spcmn is considered a candidate for combining during order save	Allowable values are: 0 - No 1 - Yes

Column	D.Type	Len	PK	OP	Field	Description	Notes
cng_no	integer		N	N	Change Number	System-generated number which is used to manage concurrent database updates	Valued to 1 when the record is initially created, and then incremented with each subsequent change
cmnt_user_init1	char	6	N	Y	Comment User Initials	User who added the comment	
cmnt_dtime1	smallmtime		N	Y	Comment Date and Time	Date and Time the comment was added	
cmnt_user_init2	char	6	N	Y	Comment User Initials	User who added the comment	
cmnt_dtime2	smallmtime		N	Y	Comment Date and Time	Date and Time the comment was added	
cmnt_text3	varchar	80	N	Y	Comment Text	Textual comment associated with the specimen	
cmnt_user_init3	char	6	N	Y	Comment User Initials	User who added the comment	
cmnt_dtime3	smallmtime		N	Y	Comment Date and Time	Date and Time the comment was added	
prt_supp_ind1	tinyint		N	Y	Print Suppression Indicator	Indicates whether results or comments should be suppressed from printing on a patient report	Allowable values are: 0 - No 1 - Yes
prt_supp_ind2	tinyint		N	Y	Print Suppression Indicator	Indicates whether results or comments should be suppressed from printing on a patient report	Allowable values are: 0 - No 1 - Yes
prt_supp_ind3	tinyint		N	Y	Print Suppression Indicator	Indicates whether results or comments should be suppressed from printing on a patient report	Allowable values are: 0 - No 1 - Yes

### **spcmn\_site**

User-defined table that contains the origin of a substance to be tested. Site is most commonly used for microbiology tests. For example, arm or leg are all commonly defined sites for wound cultures.

Referenced in Data Model Diagram(s): Specimen Test

Column	D.Type	Len	PK	OP	Field	Description	Notes
spcmn_site_id	char	6	Y	N	Specimen Site Identifier	User-defined value that uniquely identifies a specimen site	

Column	D.Type	Len	PK	OP	Field	Description	Notes
spcmn_site_name	varchar	30	N	N	Specimen Site Name	User-defined name of the specimen site	
avail_mne	char	6	N	N	Availability Mnemonic	System-defined value that uniquely identifies the state of availability for the associated specimen site	Allowable values are: ACTV - Active INACTV - Inactive BUILD - Build State

**spcmn\_test**

Dynamic table that contains the collectible components of a requested test.

Referenced in Data Model Diagram(s): Overview, Specimen Test, Specimen and Sample, Individual Test, Status, Test Comment, Blood Bank Result

Column	D.Type	Len	PK	OP	Field	Description	Notes
spcmn_test_no	integer		Y	N	Specimen Test Number	System-generated number that uniquely identifies the collectable test for a specimen	
acc_itn	integer		N	N	Accession Internal Number	System-generated number that uniquely identifies a requested procedure or test	
ord_test_no	integer		N	N	Ordered Test Number	System-generated number that uniquely identifies a laboratory test (set, group, and individual)	
test_no	integer		N	N	Test Number	System-generated number that uniquely identifies a laboratory test	
test_id	char	8	N	N	Test Identifier	User-defined identifier of a test	
spcmn_id	char	10	N	Y	Specimen Identifier	System-generated or user-assigned identifier of the specimen	
rqst_priority_desc	char	8	N	Y	Requested Priority Description	Requested collection priority for the order	
actl_coll_priority_desc	char	8	N	Y	Actual Collection Priority Description	Actual collection priority for the order	
actl_test_priority_desc	char	8	N	Y	Actual Test Priority Description	Actual testing priority for the order	
actl_src_id	char	6	N	Y	Actual Source Identifier	Actual source for the order	

Column	D.Type	Len	PK	OP	Field	Description	Notes
spcmn_site_text	varchar	30	N	Y	Specimen Site Name	User-defined name of the specimen site	
coll_sts_mne	char	6	N	Y	Collection Status Mnemonic	System-defined value that identifies a collection phase	Allowable values are: COLCAN - Collection Canceled COLCMP - Collection Completed PENCOL - Pending Collection RCVD - Received
coll_sts_dtime	smallmtime		N	Y	Collection Status Date and Time	Date and time the collection status was updated	
billed_flag	char	2	N	N	Billed Flag	System-defined value that uniquely identifies the billing status of the associated item	Allowable values are: CG- Charge CN- Pre-Charge Credit CR- Credit
ref_billed_flag	char	2	N	N	Billed Flag	System-defined value that uniquely identifies the billing status of the associated item	Allowable values are: CG- Charge CN- Pre-Charge Credit CR- Credit
perf_hosp	char	6	N	Y	Performing Hospital	User-defined identifier of the hospital or institution responsible for results entry	
cmnt_text1	varchar	80	N	Y	Comment Text	Textual comment associated with the specimen test	
cmnt_text2	varchar	80	N	Y	Comment Text	Textual comment associated with the specimen test	
cncl_reason	varchar	40	N	Y	Cancel Reason	Reason the requested test or procedure was canceled	
micro_prcs_ind	tinyint		N	Y	Micro Process Indicator	Indicates whether the test requires microbiology processing	Allowable values are: 0 - No 1 - Yes
ord_cmnt_ind	tinyint		N	Y	Order Comment Indicator	Indicates whether order comments exist	Allowable values are: 0 - No 1 - Yes
alert_monitor_ind	tinyint		N	Y	Alert Monitor Indicator	Indicates whether the test is eligible for Alert Monitor processing	Allowable values are: 0 - No 1 - Yes

Column	D.Type	Len	PK	OP	Field	Description	Notes
smp_l_type_id	char	6	N	Y	Sample Type Identifier	User-defined value that uniquely identifies the sample type	
smp_l_type_modf_id	char	6	N	Y	Sample Type Modifier Identifier	User-defined value that uniquely identifies the modifier for the sample type	
spcmn_site_id	char	6	N	Y	Specimen Site Identifier	User-defined value that uniquely identifies the specimen site	
spcmn_site_modf_id	char	6	N	Y	Specimen Site Modifier Identifier	User-defined value that uniquely identifies the modifier for the specimen site	
coll_meth_id	char	6	N	Y	Collection Method Identifier	System-defined value that uniquely identifies the technique or material used to obtain a specimen for laboratory testing	

### **spcmn\_test\_micro**

Dynamic table that contains information specific to a microbiology culture.

Referenced in Data Model Diagram(s): Specimen Test

Column	D.Type	Len	PK	OP	Field	Description	Notes
spcmn_test_no	integer		Y	N	Specimen Test Number	System-generated number that uniquely identifies the collectable test for a specimen	
cult_class_id	char	6	N	Y	Culture Class Identifier	User-assigned value that uniquely identifies a culture class	
cult_start_dtime	smallmtime		N	N	Culture Start Date and Time	Date and time the culture was plated	
last_actv_dtime	smallmtime		N	N	Last Activity Date and Time	Date and time the most recent activity was recorded	
last_cult_sts_mne	char	6	N	N	Last Culture Status Mnemonic	System-defined value that uniquely identifies the result status of a culture	Allowable values are: FINAL – Final PRELIM - Preliminary
cult_sts_dtime	smallmtime		N	N	Culture Status Date and Time	Date and time the culture status was updated	

Column	D.Type	Len	PK	OP	Field	Description	Notes
user_init	char	6	N	Y	User Initials	User who recorded the last activity	
sys_id	char	6	N	Y	System Identifier	System that recorded the last activity	
fnl_wkcrd_prt_mne	char	6	N	Y	Final Workcard Print Mnemonic	System-defined value that identifies whether or not a final microbiology workcard was printed	Allowable values are: NPRT – No Printed PRT - Printed
clin_signf_mne	char	6	N	Y	Clinical Significance Mnemonic	System-defined value used to specify clinical significance of a microbiology culture	Allowable values are: NOTDET - Significance Not Determined NSG - Not Significant SIG - Significant
cmnt_ind	tinyint		N	N	Comment Indicator	Indicates whether culture comments exist	Allowable values are: 0 - No 1 - Yes
actl_plate_dtime_ind	tinyint		N	N	Actual Plate Date and Time	Actual date and time the culture was plated	Allowable values are: 0 - No 1 - Yes
frgn_cult_sts_mne	char	6	N	Y	Foreign Culture Status Mnemonic	Culture status sent from the Reference Lab	
frgn_cult_sts_dtime	smallmtime		N	Y	Foreign Culture Status Date and Time	Date and time the culture status was updated by the Reference Lab	

### **spcmn\_test\_smpl**

Dynamic table that links a specimen test with its specimen and samples.

Referenced in Data Model Diagram(s): Overview, Specimen Test, Specimen and Sample

Column	D.Type	Len	PK	OP	Field	Description	Notes
spcmn_test_no	integer		Y	N	Specimen Test Number	System-generated number that uniquely identifies the collectable test for a specimen	
smpl_id	char	10	Y	N	Sample Identifier	System-generated value that uniquely identifies a sample for laboratory analysis	
spcmn_id	char	10	N	N	Specimen Identifier	System-generated or user-assigned identifier of the specimen	

Column	D.Type	Len	PK	OP	Field	Description	Notes
aliquot_ind	tinyint		N	N	Aliquot Indicator	Indicates whether the associated sample is a secondary sample (aliquot) or an original collection sample	Allowable values are: 0 - No 1 - Yes

### species

User-defined table that contains a code and description to identify the species of a patient.

Referenced in Data Model Diagrams(s): Patient

Column	D.Type	Len	PK	OP	Field	Description	Notes
species_id	char	3	Y	N	Species Identifier	User-defined value that uniquely identifies a species	
species_desc	varchar	30	N	N	Species Description	User-defined description of the species	

### src

User-defined table that contains the substance to be tested.

Referenced in Data Model Diagrams(s): Visit Order, Specimen Test, Specimen and Sample

Column	D.Type	Len	PK	OP	Field	Description	Notes
src_id	char	6	Y	N	Source Identifier	User-defined value that uniquely identifies the substance to be tested	
src_name	varchar	30	N	N	Source Name	User-defined name of the substance to be tested	
avail_mne	char	6	N	N	Availability Mnemonic	System-defined value that uniquely identifies the state of availability for the associated source	Allowable values are: ACTV - Active INACTV - Inactive BUILD - Build State

### sts

Dynamic table that contains data used to derive order, collection, current result, label print and test receipt statuses.

Referenced in Data Model Diagrams(s): Overview, Status

Column	D.Type	Len	PK	OP	Field	Description	Notes
sched_indv_test_no	integer		Y	N	Scheduled Individual Test Number	System-generated number that uniquely identifies an individual test that is scheduled to be performed	

Column	D.Type	Len	PK	OP	Field	Description	Notes
rslt_hist_no	integer		Y	N	Result History Number	System-generated number that uniquely identifies a current or past result	
pat_itn	integer		N	N	Patient Internal Number	System-generated number used to uniquely identify a patient	
visit_itn	integer		N	N	Visit Internal Number	System-generated number that uniquely identifies a particular visit or health care encounter	
ord_no	char	5	N	N	Order Number	System-generated number (stored as a character field) that identifies an order within a visit.	
acc_itn	integer		N	N	Accession Internal Number	System-generated number that uniquely identifies a requested procedure or test	
spcmn_test_no	integer		N	N	Specimen Test Number	System-generated number that uniquely identifies the collectable test for a specimen	
ord_sts_cd	tinyint		N	N	Order Status Code	System-defined value that uniquely identifies the state of an order	Allowable values are: 1 - Cancelled 2 - Ordered
ord_sts_dtime	smallmtime		N	N	Order Status Date and Time	Date and time the order status was updated	
coll_sts_cd	tinyint		N	N	Collection Status Code	System-defined value that uniquely identifies a collection phase	Allowable values are: 1 - Collection Cancelled 2 - Collection Completed 4 - Received 8 - Pending Collection
coll_sts_dtime	smallmtime		N	N	Collection Status Date and Time	Date and time the collection status was updated	
curr_rslt_sts_cd	tinyint		N	N	Current Result Status Code	System-defined value that uniquely identifies the state of a result	Allowable values are: 1 - Discontinued 2 - Cancelled 4 - Completed 8 - Released



Column	D.Type	Len	PK	OP	Field	Description	Notes
							16 - Reviewed 32 - Entered 64 - Pending
rslt_sts_dtime	smallmtime		N	N	Result Status Date and Time	Date and time the result status was updated	
lbl_prt_sts_cd	tinyint		N	N	Label Print Status Code	System-defined value that uniquely identifies a label print status	Allowable values are: 1 - Downloaded 2 - Label Printed 4 - Pending Label Print
lbl_prt_sts_dtime	smallmtime		N	N	Label Print Status Date and Time	Date and time the label print status was updated	

**svc**

User-defined table that contains categories of care or services provided by a hospital. For example, OBGYN, MED, and SURG are commonly defined services.

Referenced in Data Model Diagram(s): Visit

Column	D.Type	Len	PK	OP	Field	Description	Notes
svc_id	char	3	Y	N	Service Identifier	User-defined identifier of a hospital service	
svc_name	varchar	30	N	N	Service Name	User-defined name of the hospital service	

**test**

User-defined table that contains the procedures or tests that may be requested and/or performed for a patient, including informational items that are required to determine the outcome of other tests such as weight and body surface area. There are three types of tests: test set, test group, and individual test. A test set may contain orderable test groups and/or orderable individual tests. A test group may contain only individual tests (orderable or non-orderable), and an individual test does not contain any other tests. Results can be entered for individual tests only.

Referenced in Data Model Diagram(s): Visit Order, Specimen Test, Individual Test

Column	D.Type	Len	PK	OP	Field	Description	Notes
test_no	integer		Y	N	Test Number	System-generated number that uniquely identifies a laboratory test	
test_id	char	8	N	N	Test Identifier	User-defined identifier of a test	
test_name	varchar	30	N	N	Test Name	User-defined name of the test	
test_type_mne	char	6	N	N	Test Type Mnemonic	System defined value that uniquely identifies the test type	Allowable values are: GROUP – Test Group INDV – Individual Test SET – Test Set

Column	D.Type	Len	PK	OP	Field	Description	Notes
ord_ind	tinyint		N	N	Order Indicator	Indicates whether the test can be ordered through order entry processing	Allowable values are: 0 - No 1 - Yes
add_ind	tinyint		N	N	Add Indicator	Indicates whether the test can be added to an existing specimen by means other than through order entry processing.	Allowable values are: 0 - No 1 - Yes
chg_ind	tinyint		N	N	Charge Indicator		Not supported Valued to 0-No
coll_ind	tinyint		N	N	Collectable Indicator	Indicates whether the test requires a sample to be collected	Allowable values are: 0 - No 1 - Yes
perf_ind	tinyint		N	N	Performable Indicator	Indicates whether results can be entered for the test	Allowable values are: 0 - No 1 - Yes
src_ind	tinyint		N	N	Source Indicator	Indicates whether a source is required at order entry	Allowable values are: 0 - No 1 - Yes
rpt_ind	tinyint		N	N	Report Indicator	Indicates whether results print on a patient report	Allowable values are: 0 - No 1 - Yes
allow_dupl_ind	tinyint		N	N	Allow Duplicates Indicator		Not supported Valued to 0 - No
noncomb_ind	tinyint		N	N	Non-combining Indicator	Indicates whether the test is eligible for specimen/sample combining	Allowable values are: 0 - No 1 - Yes
src_id	char	6	N	Y	Source Identifier	Default specimen source for the test	
offset_mode_mne	char	6	N	Y	Offset Mode Mnemonic	System-defined value that uniquely identifies the mode used to calculate scheduled collection times for tests in a serial test group	Allowable value is: SCH – Scheduled Coll Date Time
show_prev_rslt_ind	tinyint		N	N	Show Previous Result Indicator	Indicates whether to display a previous result value during result entry	Allowable values are: 0 - No 1 - Yes

Column	D.Type	Len	PK	OP	Field	Description	Notes
cd_text_delta_ind	tinyint		N	N	Coded Text Delta Indicator	Indicates whether a delta check is required for a coded text result	Allowable values are: 0 - No 1 - Yes
delta_rslt_ind	tinyint		N	N	Delta Result Indicator	Indicates whether delta checking is performed during result entry	Allowable values are: 0 - No 1 - Yes
rpt_test_name	varchar	30	N	Y	Report Test Name	User-defined value that displays on a patient report and technical inquires.	Valued for individual tests only
micro_prcls_ind	tinyint		N	N	Micro Process Indicator	Indicates whether the test requires microbiology processing	Allowable values are: 0 - No 1 - Yes
micro_type_mne	char	6	N	Y	Microbiology Type Mnemonic	System-defined value that uniquely identifies the categories of microbiology tests	Allowable values are: ANTMCR- Antimicrobial BIOCHM- Biochemical CULT - Culture Report DE - Direct Exam ORG - Organism ID TGANTI- Test group of antimicrobials TGBIAN- Test group of biochemicals and antimicrobials TGBIO - Test group of biochemicals TGCRDE- Test group of culture report and direct exams TGDE - Test group of direct exam only
cult_rpt_opt_mne	char	6	N	Y	Culture Report Option Mnemonic	System-defined value that uniquely identifies the options for displaying the micro culture report test on a patient report	Allowable values are: ALL - Display All Sessions LATEST - Display Only Latest Session
isolate_req_ind	tinyint		N	N	Isolate Required Indicator	Indicates whether the test is isolate dependent	Allowable values are: 0 - No 1 - Yes
cost_cd_val	char	10	N	Y	Cost Code Value	User-defined value that indicates the relative cost	

Column	D.Type	Len	PK	OP	Field	Description	Notes
						of therapy with a particular antimicrobial drug	
bb_type_mne	char	4	N	Y	Blood Bank Mnemonic	System-defined value that uniquely identifies a specific type of blood bank test	Allowable values are: ABID - Antibody Identification AGID - Antigen Identification CRDT - Cord Blood Test PROD - Product Request TEST - Blood Bank Test
avail_mne	char	6	N	N	Availability Mnemonic	System-defined value that uniquely identifies the state of availability for the associated test	Allowable values are: ACTV - Active INACTV - Inactive BUILD - Build State
dflt_qty_val	char	3	N	Y	Default Quantity Value	Default quantity that will be ordered if the order does not specify a quantity	Allowable values are 1-99
dwnld_rslt_ind	tinyint		N	N	Download Result Indicator	Indicates whether the test result should be sent with the order download to an outside reference lab	Allowable values are: 0 - No 1 - Yes
confidential_ind	tinyint		N	N	Confidential Indicator	Indicates whether test information should be kept strictly confidential. Tests with the indicator valued require additional security access for results entry and to view results	Allowable values are: 0 - No 1 - Yes
ask_at_ord_ind	tinyint		N	N	Ask at Order Entry Indicator	Indicates whether the test is an Ask at Order Entry (AOE) question	Allowable values are: 0 - No 1 - Yes

**text**

User-defined table that contains pre-defined coded text values used for test results and comments.

Referenced in Data Model Diagram(s): Result, Test Comment, Changed Result

Column	D.Type	Len	PK	OP	Field	Description	Notes
text_id	char	10	Y	N	Text Identifier	User-defined value which uniquely identifies a coded text value	

Column	D.Type	Len	PK	OP	Field	Description	Notes
short_text_val	varchar	80	N	N	Short Text Value	Text for the coded text value	Contains entire text for coded text less than 80 characters, and the first 80 characters if text exceeds 80 characters
truncate_ind	tinyint		N	N	Truncate Indicator	Indicates whether the short text value contains the entire coded text value	Allowable values are: 0 - No 1 - Yes
full_text	text		N	Y	Full Text	Complete text for the coded text value	
prt_supp_ind	tinyint		N	N	Print Suppression Indicator	Indicates whether results or comments should be suppressed from printing on a patient report	Allowable values are: 0 - No 1 - Yes
qty_ind	tinyint		N	N	Quantity Indicator	Indicates whether the coded text represents a quantity to be used to quantify other coded text observations	Allowable values are: 0 - No 1 - Yes
sens_xlate_ind	tinyint		N	N	Sensitivity Translate Indicator	Indicates whether the coded text is used to identify the sensitivity or resistance of the isolated organism to an antimicrobial	Allowable values are: 0 - No 1 - Yes
avail_mne	char	6	N	N	Availability Mnemonic	System-defined value that uniquely identifies the state of availability for the associated text	Allowable values are: ACTV - Active INACTV - Inactive BUILD - Build State

**text\_seq**

Dynamic table that contains post-release changed results comment information. The table is a copy of curr\_text\_seq.

Referenced in Data Model Diagram(s): Test Comment, Changed Result

Column	D.Type	Len	PK	OP	Field	Description	Notes
text_seq_no	integer		Y	N	Text Sequence Number	System-generated number that uniquely identifies each textual comment	

Column	D.Type	Len	PK	OP	Field	Description	Notes
tbl_type_mne	char	6	N	N	Table Type Mnemonic	System-defined value that uniquely identifies a database table	Allowable values are: RSLTSQ – rslt_seq SPTMIC – spcmn_test_micro
intrn_no	integer		N	N	Internal Number	Internal number value that uniquely identifies a row in the table specified by the associated tbl_type_mne	
text_seq_no_val	tinyint		N	N	Text Sequence Number Value	Value that maintains the relative sequence of coded texts within a comment	
text_use_type_mne	char	6	N	N	Text Use Type Mnemonic	System-defined value that uniquely identifies a text usage type	Allowable values are: BBUSTS- Blood Bank Unit Status CALLED- Called Result CNGRSL- Changed Result DELCMT- Post Release Deleted Cmnt FAILED- Call Failed Comment GENCMT- General Purpose ORGCMT- Organism Comment RLCMNT- Reference Lab Rslt Comment RSLCMT- Result Comment
hist_seq_no_val	tinyint		N	N	History Sequence Number Value	System-generated number that tracks the order in which a result or comment was altered over time	
text_cre_dtime	smallmtime		N	N	Creation Date and Time	Date and time the comment was added	
prt_supp_ind	tinyint		N	N	Print Suppression Indicator	Indicates whether results or comments should be suppressed from printing on a patient report	Allowable values are: 0 - No 1 - Yes
user_init	char	6	N	Y	Create User Initials	User who added the comment	
cre_sys_id	char	6	N	Y	Create System Identifier	System that added the comment	

Column	D.Type	Len	PK	OP	Field	Description	Notes
del_dtime	smallmtime		N	Y	Delete Date and Time	Date and time the comment was deleted	
del_user_init	char	6	N	Y	Delete User Initials	User who deleted the comment	
del_sys_id	char	6	N	Y	Delete System Identifier	System that deleted the comment	

**visit**

Dynamic table that contains information about an encounter between a patient and a health care provider.

Referenced in Data Model Diagram(s): Overview, Visit, Visit Order, Specimen Test, Specimen and Sample, Individual Test, Status

Column	D.Type	Len	PK	OP	Field	Description	Notes
visit_itn	integer		Y	N	Visit Internal Number	System-generated number that uniquely identifies a particular visit or health care encounter	
pat_itn	integer		N	N	Patient Internal Number	System-generated number used to uniquely identify a patient	
hosp	char	6	N	N	Hospital	User-defined identifier of the hospital or institution responsible for the care of the patient	
pt_adm_dtime	smallmtime		N	Y	Patient Admission Date and Time	Date and time the patient was admitted or registered	
pt_adm_no	char	12	N	N	Patient Admission Number	System-generated, user-defined, or Hospital Information System-assigned value that identifies a patient care episode	
pt_visit_no	char	12	N	N	Patient Visit Number	Visit Extension	Default value "000000000000"
chain_itn	integer		N	N	Chain Internal Number		Not valued
vst_start_dtime	smallmtime		N	Y	Visit Start Date and Time	Date and time the visit became active	
vst_stop_dtime	smallmtime		N	Y	Visit Stop Date and Time	Date and time the visit became inactive	
cng_no	integer		N	Y	Change Number	System-generated number which is used to	Valued to 1 when the record is initially created, and then

Column	D.Type	Len	PK	OP	Field	Description	Notes
						manage concurrent database updates	incremented with each subsequent change
merge_to_visit_itn	integer		N	Y	Merge to Visit Internal Number	Visit Internal Number visit was merged to	
arch_ind	tinyint		N	N	Archive Indicator	Indicates whether the associated visit has been archived and is eligible to be purged	Allowable values are: 0 - No 1 - Yes

### visit\_activity

Dynamic table that contains the requested test(s) or procedure(s) for a visit.

Referenced in Data Model Diagrams(s): Overview, Visit Order, Specimen Test, Status

Column	D.Type	Len	PK	OP	Field	Description	Notes
visit_itn	integer		Y	N	Visit Internal Number	System-generated number that uniquely identifies a particular visit or health care encounter	
ord_no	char	5	Y	N	Order Number	System-generated number (stored as a character field) that identifies an order within a visit.	
seq_no	char	3	Y	N	Sequence Number Value	System-generated number (stored as a character field) that maintains the relative sequence of tests within an order	
acc_itn	integer		N	N	Accession Internal Number	System-generated number that uniquely identifies a requested procedure or test	
pat_itn	integer		N	N	Patient Internal Number	System-generated number used to uniquely identify a patient	
hosp	char	6	N	Y	Hospital	User-defined identifier of a hospital or other institution	
item_prio	char	1	N	N	Item Priority		Not valued
internal_order_prio	char	1	N	N	Internal Order Priority		Not valued



Column	D.Type	Len	PK	OP	Field	Description	Notes
ord_for_dtime	smallmtime		N	N	Ordered for Date and Time	Date and time the specimen is scheduled to be collected	
dept	char	3	N	N	Department		Not valued
proc_no	char	4	N	N	Procedure Number		Not valued
for_ord_no	char	20	N	N	Foreign Order Number	Hospital Information System-assigned value that identifies an order for the patient within an institution	Default value ""
par_ord_no	char	20	N	Y	Parent Order Number	External value generated by the Parent Ordering System Identifier that identifies the order for the patient	Default value ""
test_no	integer		N	Y	Test Number	System-generated number that uniquely identifies a laboratory test (set, group, or individual)	
test_id	char	8	N	Y	Test Identifier	User-defined identifier of a test	
rqst_src_id	char	6	N	Y	Requested Source Identifier	User-defined value that uniquely identifies the substance to be tested	
frgn_test_xref_no	integer		N	Y	Foreign Test Cross Reference Number	Internal number used to identify foreign system values for an orderable test or procedure	
rqst_priority_desc	char	8	N	Y	Requested Priority Description	User-assigned value that uniquely identifies the precedence for processing specimen collection, testing, and result reporting	
rqst_perf_hosp	char	6	N	Y	Requested Performing Hospital	User-defined identifier of the hospital or institution responsible for results entry	
rqst_coll_orgz_id	char	15	N	Y	Requested Collection Organization Identifier	User-defined value that uniquely identifies an organization, nurse station, testing site, or	

Column	D.Type	Len	PK	OP	Field	Description	Notes
						clinic responsible for collection	
frgn_seq_no_val	varchar	15	N	Y	Foreign Sequence Number Value	Hospital Information System-assigned value that identifies the relative sequence within an order	
ord_sys_id	char	6	N	Y	Ordering System Identifier	System that placed the order	
par_ord_sys_id	char	6	N	Y	Parent Ordering System Identifier	External system such as a Physician Practice Management System that placed the original order	
rqst_site_id	char	6	N	Y	Requested Specimen Site Identifier	User-defined value that uniquely identifies a specimen site	
rqst_site_modf_id	char	6	N	Y	Requested Specimen Site Modifier Identifier	User-defined value that uniquely identifies the modifier for the specimen site	

### visit\_activity\_info

Dynamic table that contains additional information relating to the requested tests or procedures, such as comments and billing information.

Referenced in Data Model Diagrams(s): Overview, Visit Order

Column	D.Type	Len	PK	OP	Field	Description	Notes
acc_itn	integer		Y	N	Accession Internal Number	System-generated number that uniquely identifies a requested procedure or test	
proc_lr	char	1	N	Y	Procedure Left or Right		Not valued
prc_cmt_1	varchar	250	N	Y	Procedure Comment		Not valued
prc_cmt_2	varchar	250	N	Y	Procedure Comment		Not valued
proc_reason	varchar	80	N	Y	Procedure Reason		Not valued
cncl_dtime	smalltime		N	Y	Cancel Date and Time	Date and time the ordered test was canceled	
cncl_by_init	char	6	N	Y	Cancel User Initials	User who canceled the test	
cncl_cd	char	2	N	Y	Cancel Code		Not valued

Column	D.Type	Len	PK	OP	Field	Description	Notes
cncl_reason	varchar	40	N	Y	Cancel Reason	Reason the ordered test was canceled	
sts_flag	char	1	N	Y	Status Flag		Not valued
sub_dept	char	3	N	Y	Sub Department		Not valued
ord_qnty	char	3	N	Y	Order Quantity	Requested quantity of the associated procedure or test	
ord_src	char	1	N	Y			
billed_flag	char	2	N	N	Billed Flag	System-defined value that uniquely identifies the billing status of the associated item	Allowable values are: CG- Charge CN- Pre-Charge Credit CR- Credit
add_dtime	smalltime		N	Y	Add Date and Time	Date and time the ordered test was added	
add_by_init	char	6	N	Y	Add User Initials	User who added the test	
add_rsn_cd	char	2	N	Y	Add Reason Code		Not valued
add_rsn_descp	varchar	40	N	Y	Add Reason	Reason the ordered test was added	
add_dr_no	varchar	6	N	Y	Add Doctor Number		Not valued
add_dr_last	varchar	32	N	Y	Add Doctor Last Name		Not valued
add_dr_first	varchar	32	N	Y	Add Doctor First Name		Not valued
add_dr_middle	varchar	32	N	Y	Add Doctor Middle Name		Not valued
add_dr_title	varchar	16	N	Y	Add Doctor Title		Not valued
add_dr_prefix	varchar	16	N	Y	Add Doctor Prefix		Not valued
add_dr_suffix	varchar	16	N	Y	Add Doctor er Suffix		Not valued
chngd_to_acc_itn	integer		N	N	Changed To Accession Internal Number		Not valued
chngd_from_acc_itn	integer		N	N	Changed From Accession Internal Number		Not valued
sec_type	char	1	N	Y	Security Type		Not valued
orig_seq	char	3	N	Y	Original Sequence		Not valued
statuses	char	1	N	Y	Status Indicator		Not valued
charges	char	1	N	Y	Charge Indicator		Not valued

Column	D.Type	Len	PK	OP	Field	Description	Notes
results	char	1	N	Y	Result Indicator		Not valued
pscode_1	varchar	11	N	Y	Professional Services Code		Not valued
pscode_2	varchar	11	N	Y	Professional Services Code		Not valued
pscode_3	varchar	11	N	Y	Professional Services Code		Not valued
pscode_4	varchar	11	N	Y	Professional Services Code		Not valued
last_upd_dtime	smalltime		N	Y	Last Update Date and Time	Date and time the most recent activity was recorded	
icd_code	char	12	N	Y	Ordering Diagnosis ICD Code	User-defined value that uniquely identifies a diagnosis or disease state	
icd_code2	char	12	N	Y	ICD Code		Not valued
icd_code3	char	12	N	Y	ICD Code		Not valued
icd_code4	char	12	N	Y	ICD Code		Not valued
spcmn_site_text	varchar	30	N	Y	Specimen Site Text	User-defined name of the specimen site	
ord_sts_upd_mne	char	6	N	Y	Order Status Update Mnemonic	System-defined value that uniquely identifies the various states of an order	Allowable values are: CAN - Cancelled DEL - Deleted DIS - All results discontinued DWNLD - Downloaded to Collection Mgmt System FIN - Final Results LBLPRO - Label Print in Progress PEND- Pending PRELIM - Preliminary Results PROG - In Progress RESAVA - Results Available RESCOM - Results Complete SYSCAN- System Cancelled
proc_cmnt3	varchar	250	N	Y	Procedure Comment		Not valued

Column	D.Type	Len	PK	OP	Field	Description	Notes
proc_cmnt4	varchar	250	N	Y	Procedure Comment		Not valued
cmnt_user_init1	char	6	N	Y	Comment User Initials	User who added the comment	
cmnt_sys_id1	char	6	N	Y	Comment System Identifier	System that added the comment	
cmnt_dtime1	smallmtime		N	Y	Comment Date and Time	Date and time the comment was added	
cmnt_user_init2	char	6	N	Y	Comment User Initials	User who added the comment	
cmnt_sys_id2	char	6	N	Y	Comment System Identifier	System that added the comment	
cmnt_dtime2	smallmtime		N	Y	Comment Date and Time	Date and time the comment was added	
cmnt_user_init3	char	6	N	Y	Comment User Initials	User who added the comment	
cmnt_sys_id3	char	6	N	Y	Comment System Identifier	System that added the comment	
cmnt_dtime3	smallmtime		N	Y	Comment Date and Time	Date and time the comment was added	
cmnt_user_init4	char	6	N	Y	Comment User Initials	User who added the comment	
cmnt_sys_id4	char	6	N	Y	Comment System Identifier	System that added the comment	
cmnt_dtime4	smallmtime		N	Y	Comment Date and Time	Date and time the comment was added	
cpt_code	char	5	N	Y	Common Procedure Terminology Code		Not valued
cpt_modf1	char	2	N	Y	Common Procedure Terminology Modifier		Not valued
interface_flag1	char	1	N	Y	Interface Flag		Not valued
cpt_modf2	char	2	N	Y	Common Procedure Terminology Modifier		Not valued
interface_flag2	char	1	N	Y	Interface Flag		Not valued
cpt_modf3	char	2	N	Y	Common Procedure Terminology Modifier		Not valued

Column	D.Type	Len	PK	OP	Field	Description	Notes
interface_flag3	char	1	N	Y	Interface Flag		Not valued
ref_billed_flag	char	2	N	Y	Billed Flag	System-defined value that uniquely identifies the billing status of the associated item	Allowable values are: CG- Charge CN- Pre-Charge Credit CR- Credit
abn_cd	char	2	N	Y	Advanced Beneficiary Notice Code	Code defined by Health Level Seven, Inc (HL7) that indicates the status of the patient's consent to pay for potentially uninsured services	
ord_src_id_val	varchar	20	N	Y	Ordered Source Identifier Value	Ordering source sent by the Hospital Information System or Ordering System	
icd_desc	varchar	60	N	Y	ICD Description	User-defined description of the diagnosis or disease state	
icd_release	char	3	N	Y	ICD Release	Release or version of the coding scheme for the associated diagnosis	
prt_supp_ind1	tinyint		N	Y	Print Suppression Indicator	Indicates whether results or comments should be suppressed from printing on a patient report	Allowable values are: 0 - No 1 - Yes
prt_supp_ind2	tinyint		N	Y	Print Suppression Indicator	Indicates whether results or comments should be suppressed from printing on a patient report	Allowable values are: 0 - No 1 - Yes
prt_supp_ind3	tinyint		N	Y	Print Suppression Indicator	Indicates whether results or comments should be suppressed from printing on a patient report	Allowable values are: 0 - No 1 - Yes
prt_supp_ind4	tinyint		N	Y	Print Suppression Indicator	Indicates whether results or comments should be suppressed from printing on a patient report	Allowable values are: 0 - No 1 - Yes
ord_test_name_val	varchar	30	N	Y	Ordered Test Name Value	Ordered test name sent by the Hospital Information System or Ordering System	

**visit\_doctor**

Dynamic table that contains all of the doctors associated with a visit and/or order.

Referenced in Data Model Diagram(s): Visit, Visit Order

Column	D.Type	Len	PK	OP	Field	Description	Notes
visit_itn	integer		Y	N	Visit Internal Number	System-generated number that uniquely identifies a particular visit or health care encounter	
dr_no	char	6	Y	N	Doctor Number	User or system-defined value that uniquely identifies a doctor or ordering authority	Default value ""
pat_itn	integer		N	N	Patient Internal Number	System-generated number used to uniquely identify a patient	
ord_no	char	5	N	Y	Order Number	System-generated number (stored as a character field) that identifies an order within a visit.	
seq_no	char	3	N	Y	Sequence Number	System-generated number (stored as a character field) that sequences requested procedures or tests within an order.	
acc_itn	integer		N	N	Accession Internal Number	System-generated number that uniquely identifies a requested procedure or test	Default value
dr_type	char	2	N	N	Doctor Type	System-defined code that indicates how the associated doctor is related to the visit	Allowable values are: AL - Admitting AT - Attending AV – Consulting/Alternate Visit OR - Ordering PC – Primary Care RR – Report Recipient
dr_last	varchar	32	N	Y	Doctor Last Name	Last or surname of the doctor	
dr_first	varchar	32	N	Y	Doctor First Name	First or given name of the doctor	
dr_addr1	varchar	32	N	Y	Doctor Address	First line of address for the doctor	

Column	D.Type	Len	PK	OP	Field	Description	Notes
dr_addr2	varchar	32	N	Y	Doctor Address	Second line of address for the doctor	
dr_city	varchar	32	N	Y	Doctor City	City portion of address for the doctor	
dr_state	varchar	32	N	Y	Doctor State	State portion of address for the doctor	
dr_zip	varchar	16	N	Y	Doctor Zip Code	Postal code or zip code portion of address for the doctor	
dr_phone	varchar	23	N	Y	Doctor Phone Number	Phone number for the doctor	
dr_country	varchar	16	N	Y	Doctor Country	Country portion of address for the doctor	
override_dr_name	varchar	64	N	Y	Override Doctor Name	Additional name entered by the user or sent by the Hospital Information System or Ordering System for a doctor	
dr_fax	varchar	23	N	Y	Doctor Fax Number	Fax number for the doctor	
email	varchar	128	N	Y	Doctor Email	Email address for the doctor	
npi	char	10	N	Y	National Provider Identifier	Identifier assigned by the National Plan and Provider Enumeration System (NPPES)	

### visit\_info

Dynamic table that contains additional information about a visit.

Referenced in Data Model Diagrams(s): Overview, Visit

Column	D.Type	Len	PK	OP	Field	Description	Notes
visit_itn	integer		Y	N	Visit Internal Number	System-generated number that uniquely identifies a particular visit or health care encounter	
pt_class	char	3	N	Y	Patient Class	Code sent by the Hospital Information System that describes the visit	
pt_type	char	3	N	Y	Patient Type	Code sent by the Hospital Information System that identifies the visit	
pt_status	char	1	N	Y	Patient Status		Not valued



Column	D.Type	Len	PK	OP	Field	Description	Notes
pt_ns	char	15	N	Y	Nurse Station	User-defined value that uniquely identifies the nurse station or organization within the hospital that is responsible for the patient	
pt_rm_bed	varchar	6	N	Y	Room and Bed	User-defined value within the nurse station or organization that uniquely identifies the room and bed or physical location of the patient	
pt_dsch_dtime	smallmtime		N	Y	Patient Discharge Date and Time	Date and time the patient was released from the hospital	
pt_dsch_dsp	char	1	N	Y	Patient Discharge Disposition	User-defined value that uniquely identifies the patient disposition	
hosp_svc	char	3	N	Y	Service Identifier	User-defined value that uniquely identifies a hospital service	
atn_dr_no	char	6	N	Y	Attending Doctor Number	User- or system-defined value that uniquely identifies a doctor or ordering authority	
atn_dr_last	varchar	32	N	Y	Attending Doctor Last Name	Last or surname of the doctor	
atn_dr_first	varchar	32	N	Y	Attending Doctor First Name	First or given name of the doctor	
atn_dr_middle	varchar	32	N	Y	Attending Doctor Middle Name	Middle name of the doctor	
atn_dr_title	varchar	16	N	Y	Attending Doctor Title	Title of the doctor	
atn_dr_prefix	varchar	16	N	Y	Attending Doctor Prefix	Name prefix of the doctor	
atn_dr_suffix	varchar	16	N	Y	Attending Doctor Suffix	Name suffix of the doctor	
atn_dr_addr1	varchar	32	N	Y	Attending Doctor Address	First line of address for the doctor	
atn_dr_addr2	varchar	32	N	Y	Attending Doctor Address	Second line of address for the doctor	

Column	D.Type	Len	PK	OP	Field	Description	Notes
atn_dr_city	varchar	32	N	Y	Attending Doctor City	City portion of address for the doctor	
atn_dr_state	varchar	32	N	Y	Attending Doctor State	State portion of address for the doctor	
atn_dr_zip	varchar	16	N	Y	Attending Doctor Zip Code	Postal code or zip code portion of address for the doctor	
atn_dr_country	varchar	16	N	Y	Attending Doctor Country	Country portion of address for the doctor	
atn_dr_phone	varchar	23	N	Y	Attending Doctor Phone Number	Phone number for the doctor	
alt_dr_no	char	6	N	Y	Admitting Doctor Number	User or system-defined value that uniquely identifies a doctor or ordering authority	
alt_dr_last	varchar	32	N	Y	Admitting Doctor Last Name	Last or surname of the doctor	
alt_dr_first	varchar	32	N	Y	Admitting Doctor First Name	First or given name of the doctor	
alt_dr_middle	varchar	32	N	Y	Admitting Doctor Middle Name	Middle name of the doctor	
alt_dr_title	varchar	16	N	Y	Admitting Doctor Title	Title of the doctor	
alt_dr_prefix	varchar	16	N	Y	Admitting Doctor Prefix	Name prefix of the doctor	
alt_dr_suffix	varchar	16	N	Y	Admitting Doctor Suffix	Name suffix of the doctor	
alt_dr_addr1	varchar	32	N	Y	Admitting Doctor Address	First line of address for the doctor	
alt_dr_addr2	varchar	32	N	Y	Admitting Doctor Address	Second line of address for the doctor	
alt_dr_city	varchar	32	N	Y	Admitting Doctor City	City portion of address for the doctor	
alt_dr_state	varchar	32	N	Y	Admitting Doctor State	State portion of address for the doctor	
alt_dr_zip	varchar	16	N	Y	Admitting Doctor Zip Code	Postal code or zip code portion of address for the doctor	
alt_dr_country	varchar	16	N	Y	Admitting Doctor Country	Country portion of address for the doctor	

Column	D.Type	Len	PK	OP	Field	Description	Notes
alt_dr_phone	varchar	23	N	Y	Aditting Doctor Phone Number	Phone number for the doctor	
rev_isolation	char	1	N	Y	Reverse Isolation		Not valued
acuity_level	char	1	N	Y	Acuity Level		Not valued
sch_acuity_level	varchar	6	N	Y	Scheduled Acuity Level		Not valued
adm_src	char	1	N	Y	Admission Source	System-defined value that uniquely identifies the type of admission	Allowable values are: A - Accident C - Elective E - Emergency L - Labor and Delivery N - Newborn R - Routine U - Urgent
user fld1	varchar	16	N	Y	User Field	Additional information entered by the user or sent by the Hospital Information System which is not contained in predefined fields	
user fld2	varchar	16	N	Y	User Field	Additional information entered by the user or sent by the Hospital Information System which is not contained in predefined fields	
user fld3	varchar	16	N	Y	User Field	Additional information entered by the user or sent by the Hospital Information System which is not contained in predefined fields	
user fld4	varchar	16	N	Y	User Field	Additional information entered by the user or sent by the Hospital Information System which is not contained in predefined fields	
diag1	varchar	60	N	Y	Current Diagnosis	Textual description of the patient's current diagnosis	
icd_code1	char	12	N	Y	Current Diagnosis ICD Code	User-defined value that uniquely identifies a diagnosis or disease state	

Column	D.Type	Len	PK	OP	Field	Description	Notes
diag2	varchar	60	N	Y	Admitting Diagnosis	Textual description of the patient's admitting diagnosis	
icd_code2	char	12	N	Y	Admitting Diagnosis ICD Code	User-defined value that uniquely identifies a diagnosis or disease state	
icd_code3	char	12	N	Y	ICD Code		Not valued
icd_code4	char	12	N	Y	ICD Code		Not valued
vst_care_type_id	char	6	N	Y	Visit Care Type Identifier	User-defined identifier of a type of visit used to manage workflow in the laboratory	
pt_acct_id	char	12	N	Y	Patient Account Identifier	User or system- assigned identifier of a patient's financial record	
acct_type_mne	char	2	N	Y	Account Type Mnemonic	System-defined value that uniquely identifies a type of patient account.	Allowable values are: E - Emergency I - Inpatient LA - Lab Only O - Outpatient R - Referral RC- Reference
last_lab_dtime	smallmtime		N	Y	Last Lab Activity Date and Time	Date and time the most recent activity was recorded	
last_ord_dtime	smallmtime		N	Y	Last Order Date and Time	Date and time the most recent order was placed	
fc_id	char	6	N	Y	Financial Class Identifier	User-defined value that uniquely identifies a financial class	
epdm_data_ind	tinyint		N	Y	Epidemiology Data Indicator	Indicates whether or not the associated patient or visit is referenced in the epidemiology reporting database	Allowable values are: 0 - No 1 - Yes
atn_override_dr_name	varchar	64	N	Y	Attending Doctor Override Name	Additional name entered by the user or sent by the Hospital Information System for a doctor	
alt_override_dr_name	varchar	64	N	Y	Admitting Doctor Override Name	Additional name entered by the user or sent by the Hospital Information System for a doctor	

Column	D.Type	Len	PK	OP	Field	Description	Notes
icd_release1	char	3	N	Y	ICD Release	Release or version of the coding scheme for the associated diagnosis	Allowable values are:  I9 - International Classification of Diseases, Version 9  I10 - International Classification of Diseases, Version 10
icd_release2	char	3	N	Y	ICD Release	Release or version of the coding scheme for the associated diagnosis	Allowable values are:  I9 - International Classification of Diseases, Version 9  I10 - International Classification of Diseases, Version 10

### visit\_order

Dynamic table that contains the order(s) for a visit. It consists of services (procedures or tests) ordered with the same requested collection date/time that are placed in one order-entry session or that reference the same foreign order number.

Referenced in Data Model Diagrams(s): Overview, Visit Order, Status

Column	D.Type	Len	PK	OP	Field	Description	Notes
visit_itn	integer		Y	N	Visit Internal Number	System-generated number that uniquely identifies a particular visit or health care encounter	
ord_no	char	5	Y	N	Order Number	System-generated number (stored as a character field) that identifies an order within a visit.	
ord_dtime	smalltime		N	Y	Order Date and Time	Date and time the order was placed	
ord_by_init	char	6	N	Y	Ordered By	User Initials of the individual who placed the order	
method_transp	char	8	N	Y	Method Transportation		Not valued
iv	char	1	N	Y	Intravenous Line Indicator		Not valued
o2	char	1	N	Y	Oxygen Indicator		Not valued

Column	D.Type	Len	PK	OP	Field	Description	Notes
last_upd_dtime	smallmtime		N	Y	Last Update Date and Time	Date and time the most recent activity was recorded	
rslt_shell_created	char	1	N	Y	Result Shell Created		Not valued
rqst_loc	varchar	6	N	Y	Requesting Location	Location where the order originated	
icd_code	char	12	N	Y	ICD Code		Not valued
col_status	char	1	N	Y	Collection Status		Not valued
col_dtime	smallmtime		N	Y	Collection Date and Time		Not valued
priority	char	8	N	Y	Priority	Requested collection priority for the order	
dr_no	char	6	N	Y	Ordering Doctor Number	User or system defined value that uniquely identifies a doctor or ordering authority	
dr_last	varchar	32	N	Y	Ordering Doctor Last Name	Last or surname of the doctor	
dr_first	varchar	32	N	Y	Ordering Doctor First Name	First or given name of the doctor	
dr_middle	varchar	32	N	Y	Ordering Doctor Middle Name	Middle name of the doctor	
dr_title	varchar	16	N	Y	Ordering Doctor Title	Title of the doctor	
dr_prefix	varchar	16	N	Y	Ordering Doctor Prefix	Name prefix of the doctor	
dr_suffix	varchar	16	N	Y	Ordering Doctor Suffix	Name suffix of the doctor	
reason1	varchar	40	N	Y	Reason		Not valued
reason2	varchar	40	N	Y	Reason		Not valued
ord_comments1	varchar	60	N	Y	Order Comment	First order comment	
ord_comments2	varchar	60	N	Y	Order Comment	Second order comment	
lmp_dtime	smallmtime		N	Y	Last Menstrual Period Date		Not valued
pregnant	char	1	N	Y	Pregnant Indicator		Not valued
ptm_override	char	1	N	Y	Patient Merge Override		Not valued
add1_dr_no	varchar	6	N	Y	Add Doctor Number		Not valued

Column	D.Type	Len	PK	OP	Field	Description	Notes
add1_dr_last	varchar	32	N	Y	Add Doctor Last Name		Not valued
add1_dr_first	varchar	32	N	Y	Add Doctor First Name		Not valued
add1_dr_middle	varchar	32	N	Y	Add Doctor Middle Name		Not valued
add1_dr_title	varchar	16	N	Y	Add Doctor Title		Not valued
add1_dr_prefix	varchar	16	N	Y	Add Doctor Prefix		Not valued
add1_dr_suffix	varchar	16	N	Y	Add Doctor Suffix		Not valued
add2_dr_no	varchar	6	N	Y	Add Doctor Number		Not valued
add2_dr_last	varchar	32	N	Y	Add Doctor Last Name		Not valued
add2_dr_first	varchar	32	N	Y	Add Doctor First Name		Not valued
add2_dr_middle	varchar	32	N	Y	Add Doctor Middle Name		Not valued
add2_dr_title	varchar	16	N	Y	Add Doctor Title		Not valued
add2_dr_prefix	varchar	16	N	Y	Add Doctor Prefix		Not valued
add2_dr_suffix	varchar	16	N	Y	Add Doctor Suffix		Not valued
orig_recur_syntax	varchar	30	N	Y	Original Recurring Syntax		Not valued
his_lab_coll_mne	char	6	N	Y	Laboratory Collection Mnemonic	System assigned value to indicate specimen collection responsibility	Allowable values are: L – Lab to collect O – Nurse/Other to collect
spcmn_state_mne	char	6	N	Y	Specimen State Mnemonic	System-defined value that uniquely identifies the state of specimen receipt at the time the order is placed	Allowable values are: CAO - Collected at order NOTRAO - Not received at order RAO - Received at order
sys_id	char	6	N	Y	Ordered By System Identifier	System that placed the order	
device_id	char	6	N	Y	Device Identifier	Device used for order entry	
ord_hosp	char	6	N	Y	Ordering Hospital	User-defined identifier of the hospital or institution where the order originated	

Column	D.Type	Len	PK	OP	Field	Description	Notes
coll_user_init	char	6	N	Y	Collection User Initials	User who collected the order	
actl_coll_dtime	smallmtime		N	Y	Actual Collection Date and Time	Date and time the order was actually collected	
rcv_dtime	smallmtime		N	Y	Receipt Date and Time	Date and time the order received in the laboratory	
rcv_coll_user_init	char	6	N	Y	Recipet User Initials	User who received the order	
override_dr_name	varchar	64	N	Y	Override Doctor Name	Additional name entered by the user or sent from the Hospital Information System for a doctor	
cmnt_user_init1	char	6	N	Y	Comment User Initials	User who added the comment	
cmnt_sys_id1	char	6	N	Y	Comment System Identifier	System that added the comment	
cmnt_dtime1	smallmtime		N	Y	Comment Date and Time	Date and time the comment was added	
cmnt_user_init2	char	6	N	Y	Comment User Initials	User who added the comment	
cmnt_sys_id2	char	6	N	Y	Comment System Identifier	System that added the comment	
cmnt_dtime2	smallmtime		N	Y	Comment Date and Time	Date and time the comment was added	
ord_orgz_id	char	15	N	Y	Ordering Organization Identifier	User-defined value that uniquely identifies an organization, nurse station, testing site, or clinic where the order originated	
coll_sys_id	char	6	N	Y	Collection System Identifier	System that collected the sample	

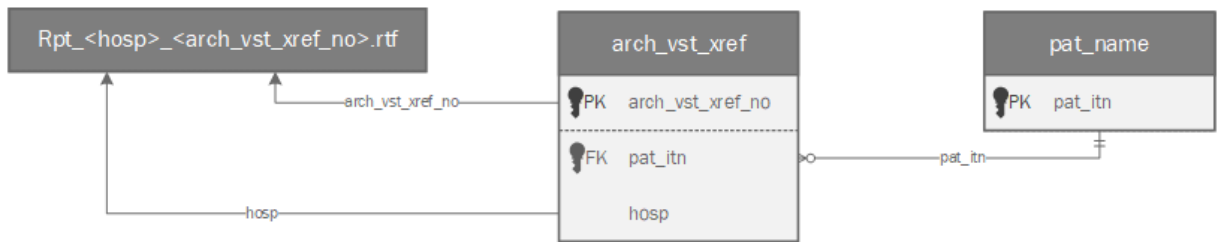
## Archive Reports

The NOVIUS Lab system retains visit information in the active database for a user-defined period of time. Once a visit is eligible, the on-line archive process saves copies of patient reports to the archive database. After a visit is archived, the visit and all its associated order and result information is purged from the active database. Patient information is retained indefinitely in the active database. Patient information includes patient name, identifiers, next of kin, and demographic information.

Archived patient reports are rich text format or .rtf files that are generated using Microsoft Word. Archived patient reports are included in the Electronic Health Information export file for a single patient. The format of the



archived patient report is prefix "Rpt", the hosp value of the visit, and the unique Archive Visit Cross Reference Number separated by underscores.



Previously archived patient reports are not included in the Electronic Health Information export file for all patients but can be exported through NOVIUS Lab offline archive processing.