

JD Edwards EnterpriseOne Configurator

ORACLE®

**JD EDWARDS
ENTERPRISEONE**

PRODUCT HIGHLIGHTS

- Facilitated entry of complex orders utilizing a smart user dynamic interface
- Improve inventory management with more flexibility and detail
- Match production and distribution processes used across multiple facilities and partners
- Support direct and inter-branch sales orders
- Use configured purchase orders and work orders
- Automatically create purchase orders for components
- Specify a variety of features and options
- Establish relationships between options to prevent invalid configurations
- Create rules to determine price, cost, part lists, routings, and values
- Price/cost rules based on user-defined date
- Use without a network, over an intranet, or on the web (when used with HTML version)

Move configured products through the supply chain using configured purchase orders, work orders, inter-branch orders, and direct sales order across multiple facilities and partners throughout industrial manufacturing, electronics manufacturing, and wholesale distribution environments.

The Issue: Many Different Product Configurations Within a Complex Mix

Your products come in many different configurations. Providing visibility and validating the accuracy of each configuration is a huge problem and often mistakes occur, discovered at the end of the sales or production cycle. Your enterprise is dynamic, growing, and complex with multiple intra-company and external partners.

The Solution: Rules-Based Configuration for Multilevel Product Structures

Oracle's JD Edwards EnterpriseOne Configurator module provides your company with a diverse set of rules and validation algorithms that are managed without customization. The rules are flexible for multilevel product structures with many options that are set up by your company to meet your configuration demands. By actively managing configurations of your products, you reduce errors from incorrectly configured items and at the same time reduce your costs for rework and excessive prebuilt inventory. With the dynamic configurator order entry user interface, you reduce errors by providing order entry personnel with only valid answers for each segment based on previous selections. This module also supports diverse arrangements of configuration, ranging from in-house work orders to external drop-ship suppliers working across your supply chain.

Configuration Examples Across Your Extended Enterprise

JD Edwards EnterpriseOne Configurator offers many different opportunities for managing configurations across your extended supply chain from within your organization. Figure 1 shows a typical example for a common configured purchased order.

FEATURE/FUNCTION HIGHLIGHTS

Configured supply transactions

- Inter-branch orders
- Transfer orders
- Direct ship orders
- Purchase orders

ETO Foundation integration

- Purchase orders
- Work orders

Normalized configuration tables

Dynamic configurator

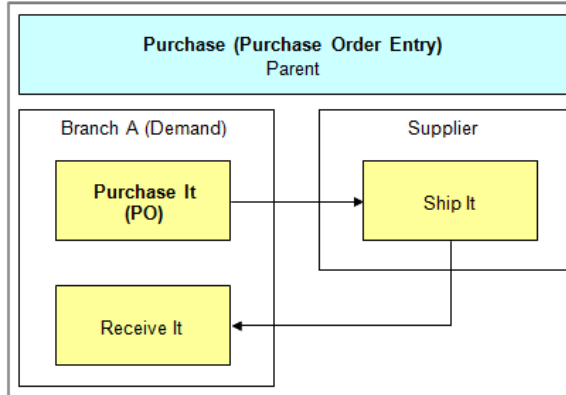


Figure 1. Configured purchase order

1. Branch A needs to stock some subassemblies.
2. Branch A goes into purchase order entry and configures the subassemblies they need as a distinct item.
3. The configured item is shipped from the supplier to branch A and received into inventory.

Figure 2 schematically depicts a configured direct ship order.

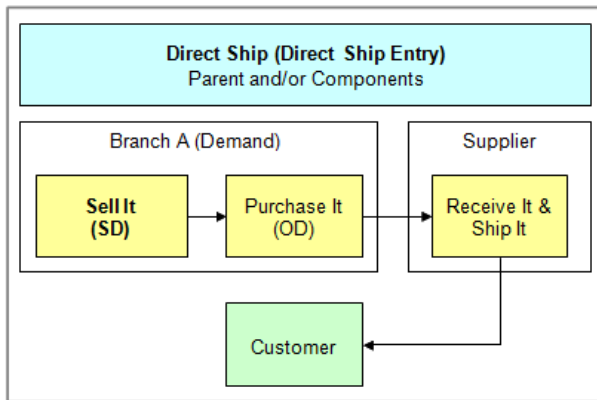


Figure 2. Configured direct ship order

The basic process is:

1. Branch A has a customer requesting the sale of an item supplied by an outside source.
2. Branch A goes to direct ship entry in JD Edwards EnterpriseOne Configurator to order and configure the item.
3. The supplier builds the item.
4. The supplier ships the item directly to the customer.

You decide how to set up your configuration matrices across your supply chain. Table 1 shows the combinations of ordering vehicles and the available options that provide your organization with flexibility to support configuration across your supply chain.

TABLE 1 – ORDER MIX MATRIX

Available Order Choices	With WO
Purchase Order	
Transfer Order	■
Inter-Branch Order	■
Direct Ship Order	
Work Order	

Product Setup Options Support Your Product Configurations

You are in charge of how your products are configured. You define the features and options for each configured item. Within these options, you define what calculated values will be used by the rules for editing and assembly inclusion. The options provided in JD Edwards EnterpriseOne Configurator include adding attachments (for example, special assembly instructions) within a framework of up to 10 levels of configured items.

Figure 3 schematically depicts one way a forklift manufacturer can set up JD Edwards EnterpriseOne Configurator with no customization—it is all “out-of-the-box” and ready for your product configurations.

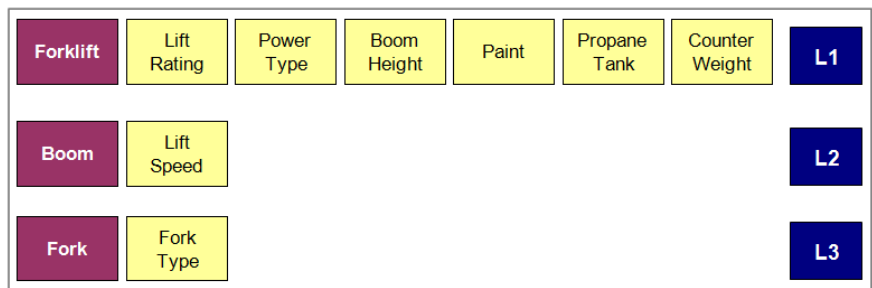


Figure 3. Product setup structure for a forklift configuration

Product Validation—Verifying Configurations are Real

JD Edwards EnterpriseOne Configurator does not stop at just setting up configurations of your products. The module features cross-segment editing for dynamic product validation:

- Establish relationships between item segments using logic statement rules.
- Determine if selected options can produce a valid configuration.
- Produce error messages (hard and soft) for invalid configurations.
- Enable users to create custom error messages.
- Allow for rules to be copied from one configured item to another configured item.
- Set up generic rules for multiple branches in your enterprise.

Assembly Inclusion Rules for Added Flexibility and Accuracy

JD Edwards EnterpriseOne Configurator includes advanced assembly inclusion rules for:

- Automatic creation of component purchase orders
- Expanded derived calculation formulas
- Smart part definitions that can create part numbers dynamically

- Table processing for complex configurations
- External program references

The rules for assembly inclusion use powerful algorithms with the following variables:

- P: Component Part Rule
- Q: Work Order Component Part Rule
- X: Pricing Rule
- R: Routing Rule
- C: Calculation
- H: Hot Spots

Doing More with Added Capabilities in JD Edwards EnterpriseOne

- **Dynamic Configurator**—GUI provides immediate feedback and validation when entering a configuration. Get accurate entry of the configuration when a question is answered using only valid options for selection for the next dependent question; this eliminates configuration errors and facilitates entry for the user. Only rules affected by changed answers are processed, enabling faster processing.
- **Message Center**—Utilize validation processing to see the status of the order at a glance for both dynamic configurator and non-dynamic users.
- **Price/Cost Adjustments Based on Date**—Base price/cost (X) rules on different transaction dates.
- **Component Purchase Orders**—Create a PO for a component at the time of order entry. This PO is automatically processed for configuration at time of receipt.
- **Configured Item Alias**—Identify specific component instance for rules definition.
- **Assembly Inclusion Rule Downward Referencing Restriction Eliminated**—Any segment can be referenced from any rule, including a derived calculation.
- **Segment to Segment Comparison**—Set rules based on the value of one segment compared to another. For example, if segment 10 is greater than segment 20, include item Y.

Solution Integration

This module is designed to be integrated with the following JD Edwards EnterpriseOne products and families across your operations using common tools and a Pure Internet Architecture:

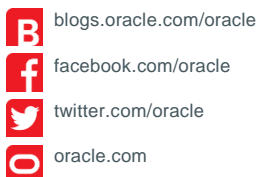
- JD Edwards EnterpriseOne Order Management
 - Agreement Management
 - Product Variants
 - Sales Order Management
- JD Edwards EnterpriseOne Supply Chain Planning (SCP)
 - Order Promising
- JD Edwards EnterpriseOne Manufacturing
 - Manufacturing Management—ETO Foundation



CONTACT US

For more information about JD Edwards EnterpriseOne, visit oracle.com or call +1.800.ORACLE1 to speak to an Oracle representative.

CONNECT WITH US



blogs.oracle.com/oracle

facebook.com/oracle

twitter.com/oracle

oracle.com

Integrated Cloud Applications & Platform Services

Copyright © 2016, Oracle and/or its affiliates. All rights reserved. This document is provided for information purposes only, and the contents hereof are subject to change without notice. This document is not warranted to be error-free, nor subject to any other warranties or conditions, whether expressed orally or implied in law, including implied warranties and conditions of merchantability or fitness for a particular purpose. We specifically disclaim any liability with respect to this document, and no contractual obligations are formed either directly or indirectly by this document. This document may not be reproduced or transmitted in any form or by any means, electronic or mechanical, for any purpose, without our prior written permission.

Oracle and Java are registered trademarks of Oracle and/or its affiliates. Other names may be trademarks of their respective owners.

Intel and Intel Xeon are trademarks or registered trademarks of Intel Corporation. All SPARC trademarks are used under license and are trademarks or registered trademarks of SPARC International, Inc. AMD, Opteron, the AMD logo, and the AMD Opteron logo are trademarks or registered trademarks of Advanced Micro Devices. UNIX is a registered trademark of The Open Group. 0116

