

# New York Stock Exchange Oracle Exadata – Our Journey

Ajit Singh,  
Director, Data Technology Platforms



# New York Stock Exchange (NYSE) and Intercontinental Exchange (ICE)

- NYSE - world's largest stock exchange by market capitalization (\$28 trillion)
- NYSE is owned by Intercontinental Exchange (ICE) - Architects of the world's markets
- 11 exchanges, 7 clearing houses 12,000 + listed contracts and securities
- Diverse markets span futures & options on interest rates, commodities, indexes and FX, as well as equities and equity options.
- We transact on average in <200 mics.

# DATA ENVIRONMENT

- Data volume: ~50-60 billion transactions per day (at peak)
- Data size: ~ 15 TB of data per day (at peak)
- All data for equities, ETFs, options markets and the feed to the street
- Data for trading system latency, other markets
- Data services responsible for managing all the data and data platforms including Exadata

# oracle database environment on EXadata

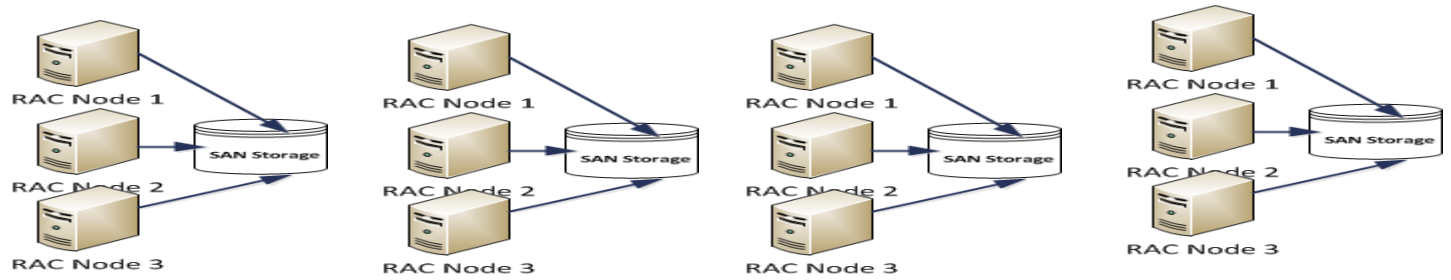
- Oracle - primary transactional database platform supporting all NYSE businesses
- OLTP and Data Mart environments - 250+ databases, over 500 instances
- Total database size - 350+ TB
- Daily transaction volume - ~1000 million transactions
- Large transactional databases: ~10-20 TB databases generating about ~ 300 GB of log per day
- Large Data Mart: >100 TB in size (after HCC compression for historical data)

# CONSOLIDATION TO EXADATA

2004:



2006:

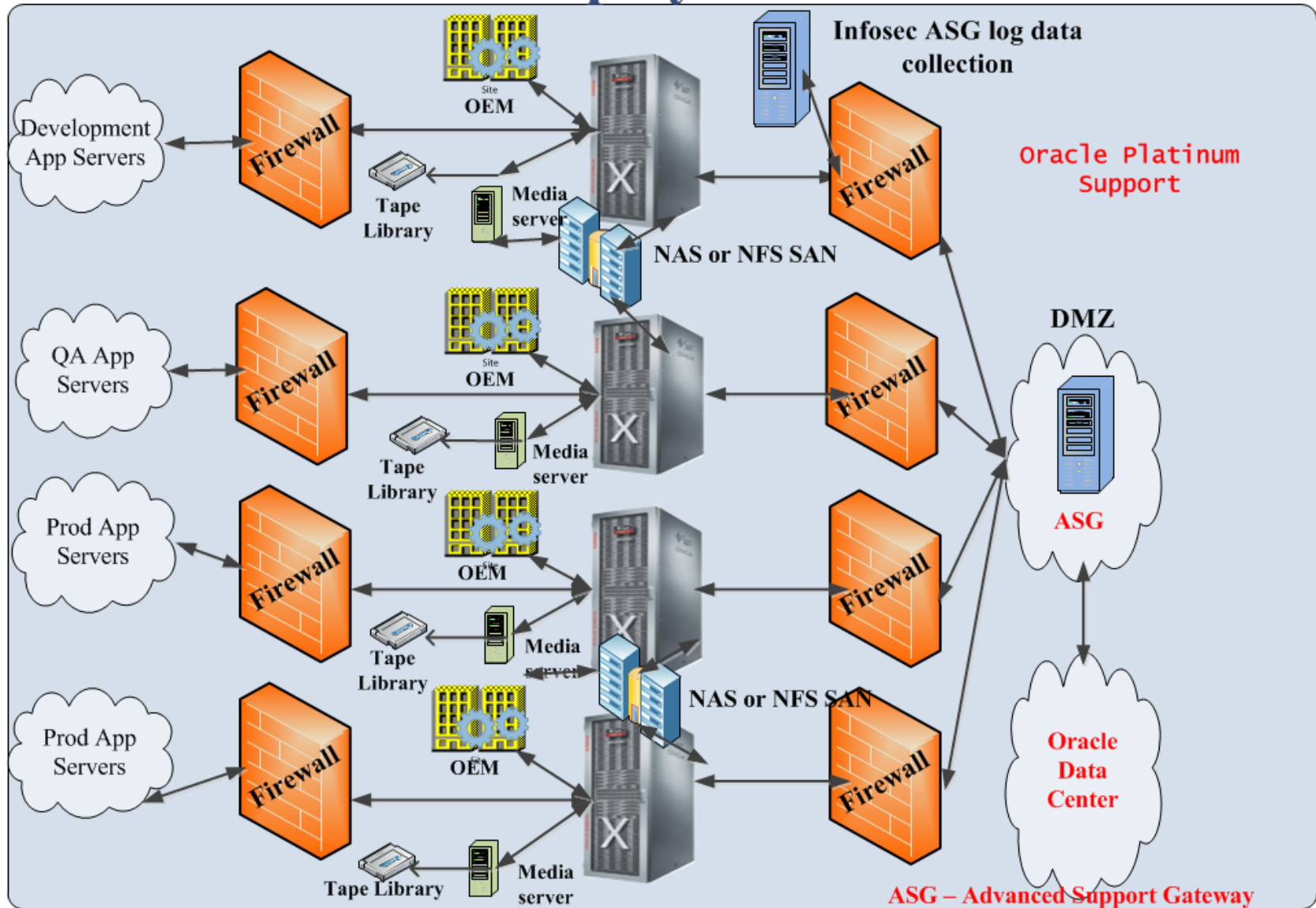


2014:

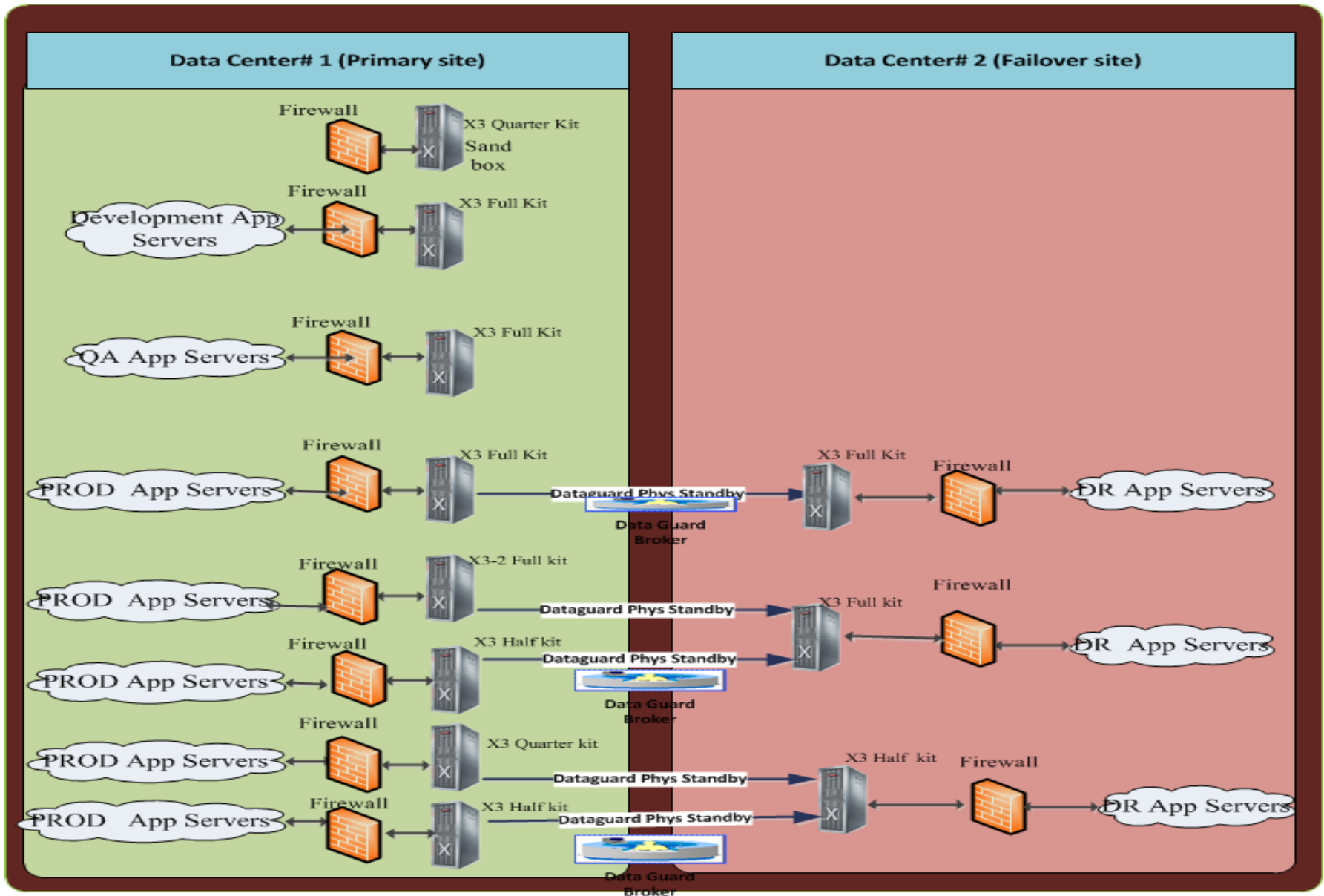


17 Exadata – 12 for NYSE

# EXADATA Deployment Architecture



# NYSE Exadata footprint



# EXADATA FOR CONSOLIDATION

Some examples:

- Dev: ~60 databases consolidated on a full rack of X3-2 with an average size of 1.6 TB
- QA: ~70 QA consolidated on to a full rack of X3-2 with an average size of 2 TB
- Prod: ~ 50 databases consolidated on a full rack of X3-2 with an average size of 9.5 TB
- Mix of OLTP and data marts



# leveraging exadata for performance

- Performance gains of 2x – 25x
- Trade Reports database – 180,000 messages/sec - ~ 50% increase in processing speed
- For the same application, completion time decreased by 66%
- Data Mart - daily transactions of 2 TB applied to standby in real-time
- Data Loads – processing times decreased by 50%
- Data Mart – hybrid columnar compression - 4x compression gain vs ACO.
- 15-16x compression achieved on raw data using HCC
- Full Backup time of a ~150 TB data mart reduced by 85% (over Infiniband switches)
- Utilize SmartScan capabilities

# migration

- Consolidation planning

  - Database load compatibility analysis

  - setup appropriate resources – parameters, limits

- Migration to Exadata using Data Guard, RMAN Closing and RMAN Duplicate

- Plan hardware - Dedicated network

- Test it out – connectivity, test with application and RAT testing for performance validation

# CONSIDERATIONS

- Coordinate downtime
- Risk Mitigation:
  - Manage capacity
  - Oracle Homes – 2
  - Load Isolation
  - Instance caging, IORM deployed to manage resources consolidated
- Security isolation
- Rolling upgrades of databases
- Rolling Exadata bundle patches – cell servers, components, compute nodes and clusterware
- Observe utilization
- Re-evaluate database parameters

# BENEFITS OF CONSOLIDATION

- Reduced time to market
- Platform as a service
- Database as a service
- Reduced cost
  - Hardware, licensing
  - operations