

Oracle OCI Exadata Database Service on Dedicated  
Infrastructure Security Controls  
**ORACLE**

# Exadata Database Service on Dedicated Infrastructure Security Controls

---

Features to help prevent, detect, and respond to unauthorized actions to support IT security policy requirements

October 4, 2024 | Version 2.25  
Copyright © 2024, Oracle and/or its affiliates  
Public

## PURPOSE STATEMENT

This document provides an overview of features and enhancements included in Exadata release 24.1.3.0.0.240809.1, 23.1.17.0.0.240807, and 22.1.26.0.0.240801.<sup>1</sup> It is intended solely to help you assess the business benefits of upgrading to Exadata release 24.1.3.0.0.240809.1, 23.1.17.0.0.240807, and 22.1.26.0.0.240801 and to plan your I.T. projects.

This document summarizes the security and control features of Oracle's Oracle Cloud Infrastructure (OCI) Exadata Database Service on Dedicated Infrastructure (ExaDB-D) and for Oracle Exadata Database@Azure (OD@Azure).<sup>2,3</sup> It is intended for customer security staff chartered at evaluating adoption of ExaDB-D. Security staff chartered with evaluating ExaDB-D should also review the following documentation:

- Oracle Cloud Infrastructure Security Architecture<sup>4</sup>
- Oracle Cloud Infrastructure Security Guide<sup>5</sup>
- Oracle Corporate Security Practices<sup>6</sup>
- Exadata Database Service on Dedicated Infrastructure Security Guide<sup>7</sup>
- Security Features in Autonomous Database<sup>8</sup>
- Security and Authentication in Oracle Autonomous Database<sup>9</sup>
- Oracle Cloud Infrastructure Security Testing Policies<sup>10</sup>
- Oracle Cloud Services Contracts<sup>11</sup>
- Oracle Data Processing Agreement<sup>12</sup>
- Oracle Cloud Services Agreement<sup>13</sup>

The ExaDB-D service is delivered the same by Oracle in OCI data centers and partner cloud provider data centers (e.g., OD@Azure, OD@Google) save the exceptions called out in section, "Oracle Database@Azure." These exceptions include physical control of the ExaDB-D infrastructure, control plane and remote management connectivity, and the networking implementation that connects the ExaDB-D client VCN to the partner cloud provider network (e.g., Azure Virtual Network).

## DISCLAIMER

This document in any form, software or printed matter, contains proprietary information that is the exclusive property of Oracle. Your access to and use of this confidential material is subject to the terms and conditions of your Oracle software license and service agreement, which has been executed and with which you agree to comply. This document and information contained herein may not be disclosed, copied, reproduced or distributed to anyone outside Oracle without prior written consent of Oracle. This document is not part of your license agreement nor can it be incorporated into any contractual agreement with Oracle or its subsidiaries or affiliates.

This document is for informational purposes only and is intended solely to assist you in planning for the implementation and upgrade of the product features described. It is not a commitment to deliver any material, code, or functionality, and should not be relied upon in making purchasing decisions. The development, release, and timing of any features or functionality described in this document remains at the sole discretion of Oracle.

Due to the nature of the product architecture, it may not be possible to safely include all features described in this document without risking significant destabilization of the code.

---

<sup>1</sup> [https://support.oracle.com/knowledge/Oracle%20Database%20Products/2333222\\_1.html](https://support.oracle.com/knowledge/Oracle%20Database%20Products/2333222_1.html)

<sup>2</sup> <https://docs.oracle.com/en-us/iaas/Content/multicloud/oa.htm>

<sup>3</sup> <https://learn.microsoft.com/en-us/azure/oracle/oracle-db/database-overview>

<sup>4</sup> <https://www.oracle.com/a/ocom/docs/oracle-cloud-infrastructure-security-architecture.pdf>

<sup>5</sup> [https://docs.oracle.com/en-us/iaas/Content/Security/Concepts/security\\_guide.htm](https://docs.oracle.com/en-us/iaas/Content/Security/Concepts/security_guide.htm)

<sup>6</sup> <https://www.oracle.com/corporate/security-practices/>

<sup>7</sup> <https://docs.oracle.com/en-us/iaas/exadatacloud/exacs/ecs-security-guide.html>

<sup>8</sup> <https://docs.oracle.com/en-us/iaas/autonomous-database/doc/security-features-adb-d.html>

<sup>9</sup> <https://docs.oracle.com/en/cloud/paas/autonomous-database/adbsa/gs-security-and-authentication-autonomous-database.html>

<sup>10</sup> [https://docs.oracle.com/en-us/iaas/Content/Security/Concepts/security\\_testing-policy.htm](https://docs.oracle.com/en-us/iaas/Content/Security/Concepts/security_testing-policy.htm)

<sup>11</sup> <https://www.oracle.com/corporate/contracts/cloud-services/>

<sup>12</sup> <https://www.oracle.com/a/ocom/docs/corporate/data-processing-agreement-062619.pdf>

<sup>13</sup> <https://www.oracle.com/corporate/contracts/cloud-services/contracts.html#online>

# TABLE OF CONTENTS

<b>Purpose Statement</b>	<b>2</b>
<b>Disclaimer</b>	<b>2</b>
<b>Introduction</b>	<b>4</b>
<b>Compliance</b>	<b>4</b>
<b>Oracle Contracts</b>	<b>5</b>
<b>Oracle Corporate Security Policies</b>	<b>5</b>
Oracle Vulnerability Disclosure Policies	6
<b>Roles and Responsibilities for ExaDB-D in OCI</b>	<b>6</b>
<b>ExaDB-D Service Architecture</b>	<b>7</b>
Network Block Diagram for ExaDB-D in OCI	8
Customer Access to ExaDB-D Services	9
Customer Access to OCI Interfaces	9
Oracle Infrastructure Monitoring	10
Quarterly Software Updates	11
Monthly Security Scans and Updates	11
Software Update Security Controls	11
<b>Preventive Controls</b>	<b>11</b>
Customer Access Controls	11
Customer Access Control for ExaDB-D Services	12
Customer Controls for Data Security	12
Controls to Protect Data in Flight, While Processing, and at Rest	13
Controls for cloud automation Network Access to Customer VM	15
Controls for Customer Staff Access to Customer VM	16
Controls for Protecting Against Theft of Data	16
Oracle Data Safe	16
Oracle Database Security Assessment Tool (DBSAT)	17
Oracle Controls for Cloud Operations Access to Infrastructure Components	17
Oracle Technical Access Controls	17
Oracle Process Access Controls	18
Exadata Infrastructure Software Security and Controls	18
<b>Detective Controls (Logging and Auditing)</b>	<b>19</b>
Customer Audit Logging	19
Customer Security Scanning of Customer VM	20
Customer Use of Third-Party Software on ExaDB-D Customer VM	20
Oracle Audit Logging	20
<b>Responsive Controls</b>	<b>21</b>
<b>Service termination and Data destruction</b>	<b>21</b>
<b>Exception workflows - Oracle Access to Customer VM</b>	<b>22</b>
Case 1: Service exception before customer could log into customer VM	22
Case 2: Service exception after customer could log into customer VM	22
<b>Oracle Database@Azure</b>	<b>23</b>
Roles and Responsibilities for OD@Azure	23
OD@Azure Architecture	24
IP Address and Routing Control for OD@Azure	26
Customer Access to OD@Azure Service	27
Customer Access to Azure Interfaces	28
<b>Summary</b>	<b>28</b>

## LIST OF IMAGES

Figure 1: Network Architecture block diagram for Oracle Exadata Database Service on Dedicated Infrastructure	8
Figure 2: Controls to protect data in flight, while processing, and at rest	14
Figure 3: Cloud Operations Staff Access to ExaDB-D Infrastructure Components	18
Figure 4: OD@Azure overview	24
Figure 5: OD@Azure availability domains	25
Figure 6: OD@Azure architecture diagram	26
Figure 7: OD@Azure networking, single availability zone	26
Figure 8: OD@Azure networking, multiple availability zones	27
Figure 9: Customer access to Azure interfaces	28

## LIST OF TABLES

Table 1: Roles and Responsibilities for ExaDB-D in OCI	7
Table 2: Roles and Responsibilities for OD@Azure service	23

## INTRODUCTION

Exadata Database Service on Dedicated Infrastructure (ExaDB-D) provides Oracle's Exadata Database Machine as a service in an Oracle Cloud Infrastructure (OCI) data center. The advantage of ExaDB-D is that the customer gains the features and functionality the Exadata Database Machine plus the orchestration and management tools of OCI and Oracle Cloud Ops support for infrastructure maintenance.

ExaDB-D is the right database service for use cases where customers seek to gain the operational and financial value of a cloud service with the availability, performance, and functionality, and security of the Exadata Database Machine.

The ExaDB-D service delivery model is a standardized offering based on industry best practices for protecting customer data and mission critical workloads. To facilitate customer adoption of the ExaDB-D service delivery model, this paper describes the security controls of ExaDB-D as compensating measures for edge cases where customer approved security standards may differ from the ExaDB-D model. The intent of this paper is to describe the controls such that they may be used by customer security teams to grant exceptions to historical standards and to create future standards based on these controls.

The ExaDB-D service is available in OCI,<sup>14</sup> Azure,<sup>15,16</sup> and Google Cloud Provider<sup>17,18</sup> data centers. The Oracle Database@Azure FAQ<sup>19</sup> and Oracle Database@Google FAQ<sup>20</sup> provide commonly requested information about the services

## COMPLIANCE

Oracle provides information about frameworks for which an Oracle line of business has achieved a third-party attestation or certification for one or more of its services in the form of "attestations." These attestations can assist in your compliance and reporting, providing independent assessment of the security, privacy and compliance controls of the applicable Oracle cloud services. In reviewing these third-party attestations, it is important that you consider they are generally specific to a certain cloud service and may also be specific to a certain data center or geographic region. You can access Oracle Cloud

---

<sup>14</sup> <https://docs.oracle.com/en/engineered-systems/exadata-cloud-service/ecscm/exa-service-desc.html#GUID-D35869C4-7F3F-423A-A498-1E74A4BD5FOC>

<sup>15</sup> <https://learn.microsoft.com/en-us/azure/oracle/oracle-db/provision-oracle-database>

<sup>16</sup> <https://docs.public.oneportal.content.oci.oraclecloud.com/en-us/iaas/Content/database-for-azure/intro.htm>

<sup>17</sup> <https://cloud.google.com/oracle/database/docs/create-instances>

<sup>18</sup> <https://docs.oracle.com/en/solutions/deploy-oracle-database-at-google-cloud/index.html#GUID-DF76B414-E4A9-47E6-AF55-248F89D77A22>

<sup>19</sup> <https://www.oracle.com/cloud/azure/oracle-database-at-azure/faq/>

<sup>20</sup> <https://www.oracle.com/cloud/google/oracle-database-at-google-cloud/faq/>

Compliance Documentation<sup>21</sup> for relevant detail about a specific standard for ExaDB-D. Please note that this information is subject to change and may be updated frequently, is provided “as-is” and without warranty and is not incorporated into contracts.

You may request compliance documents from an Oracle sales representative, and you may access them directly from their OCI Cloud Console.<sup>22</sup>

## ORACLE CONTRACTS

The Oracle Data Processing Agreement<sup>23</sup> describes how Oracle controls, protects, and processes data related to Oracle services, including ExaDB-D, such as

- Cross Border Data Transfers
- Security and Confidentiality
- Audit Rights
- Incident Management and Breach Notification

The Oracle Cloud Services Agreement<sup>24</sup> provides information about customer data is processed in Oracle Cloud Services, such as:

- Ownership Rights and Restrictions
- Nondisclosure
- Protection of Your Content
- Service Monitoring and Analysis
- Export
- Force Majeure
- Governing Law and Jurisdiction

The Oracle Trust Center<sup>25</sup> provides an index to Oracle’s security, compliance, privacy, and commercial contracts.

## ORACLE CORPORATE SECURITY POLICIES

Oracle’s security policies cover the management of security for both Oracle’s internal operations and the services, including the ExaDB-D service, Oracle provides to its customers, and apply to all Oracle personnel, such as employees and contractors. These policies are aligned with the ISO/IEC 27002:2022 (formerly known as ISO/IEC 17799:2005) and ISO/IEC 27001:2022 standards and guide all areas of security within Oracle. Oracle’s published Corporate Security Practices<sup>26</sup> including the following information:

- Objectives<sup>27</sup> – help protect the confidentiality, integrity, and availability of both Oracle and customer data
- Human resources security<sup>28</sup>
- Access control<sup>29</sup>
- Network communications security<sup>30</sup>
- Data security<sup>31</sup>
- Laptop and mobile device security<sup>32</sup>
- Physical and environmental security<sup>33</sup>

---

<sup>21</sup> <https://www.oracle.com/cloud/compliance/#attestations>

<sup>22</sup> <https://docs.oracle.com/en-us/iaas/Content/ComplianceDocuments/Concepts/compliancedocsoverview.htm>

<sup>23</sup> <https://www.oracle.com/a/ocom/docs/corporate/data-processing-agreement-062619.pdf>

<sup>24</sup> <https://www.oracle.com/corporate/contracts/cloud-services/contracts.html#online>

<sup>25</sup> <https://www.oracle.com/trust/>

<sup>26</sup> <https://www.oracle.com/corporate/security-practices/corporate/>

<sup>27</sup> <https://www.oracle.com/corporate/security-practices/corporate/objectives.html>

<sup>28</sup> <https://www.oracle.com/corporate/security-practices/corporate/human-resources-security.html>

<sup>29</sup> <https://www.oracle.com/corporate/security-practices/corporate/access-control.html>

<sup>30</sup> <https://www.oracle.com/corporate/security-practices/corporate/network-communications-security.html>

<sup>31</sup> <https://www.oracle.com/corporate/security-practices/corporate/data-protection/>

<sup>32</sup> <https://www.oracle.com/corporate/security-practices/corporate/laptop-mobile-devices.html>

<sup>33</sup> <https://www.oracle.com/corporate/security-practices/corporate/physical-environmental.html>

- Supply Chain Security and Assurance<sup>34</sup>

## Oracle Vulnerability Disclosure Policies

As a matter of policy, Oracle will not provide additional information about the specifics of vulnerabilities beyond what is provided in the Critical Patch Update or Security Alert notification, the pre-installation notes, the readme files, and FAQs<sup>35</sup>. Oracle provides all customers with the same information in order to protect all customers equally. Oracle will not provide advance notification or "insider information" on Critical Patch Update or Security Alerts to individual customers. Finally, Oracle does not develop or distribute active exploit code (or "proof of concept code") for vulnerabilities in our products.

The Oracle Critical Updates, Security Alerts, and Bulletins<sup>36</sup> page lists announcements of security fixes made in Critical Patch Update Advisories, Security Alerts and Bulletins, and it is updated when new Critical Patch Update Advisories, Security Alerts and Bulletins are released. Oracle will issue Security Alerts for vulnerability fixes deemed too critical to wait for distribution in the next Critical Patch Update, and a history of these alerts is maintained on the Critical Updates, Security Alerts, and Bulletins page.

Cloud customers, including ExaDB-D, requiring information that is not addressed in the Critical Patch Update Advisory may obtain information by submitting a My Oracle Support Service Request (SR) within their designated support system.

## ROLES AND RESPONSIBILITIES FOR EXADB-D IN OCI

ExaDB-D is jointly managed by the customer and Oracle. The ExaDB-D deployment is divided into 2 areas of responsibility:

- Customer managed services: components that the customer can control as part of their subscription to ExaDB-D
  - Customer accessible virtual machines (VM)
  - Customer accessible database services
- Oracle managed infrastructure: hardware that is owned and operated by Oracle to run customer accessible services
  - Power Distribution Units (PDUs)
  - Out of band (OOB) management switches
  - Storage networking switches
  - Exadata Storage Servers
  - Physical Exadata Database Servers
- Oracle managed cloud control plane services
  - Customer web UI and API interfaces
  - Publicly accessible services and endpoints, such as OCI cloud services
  - Privately accessible endpoints, such as OCI Fast Connect
  - OCI cloud automation for the purposes of orchestrating OCI cloud services

Customers control and monitor access to customer services, including network access to their VMs via OCI Virtual Cloud Networks (VCN),<sup>37</sup> OCI Network Security Lists,<sup>38</sup> OCI VCN Flow Logs,<sup>39</sup> authentication to access the VM via token-based ssh,<sup>40</sup> and authentication to access databases running in the VMs via Oracle database authentication methods<sup>41</sup>. Oracle controls and monitors access to Oracle-managed infrastructure components. Oracle staff are not authorized to access customer services, including customer VMs and databases. Table 1 summarizes the division of roles and responsibilities for Oracle and the customer. The Exadata Database on Dedicated Infrastructure Service Description<sup>42</sup> and Exadata Database Service on Dedicated Infrastructure - Explanation of Cloud Operations Service (Doc ID 2875973.1)<sup>43</sup> provides further detail.

---

<sup>34</sup> <https://www.oracle.com/corporate/security-practices/corporate/supply-chain/>

<sup>35</sup> <https://www.oracle.com/corporate/security-practices/assurance/vulnerability/disclosure.html>

<sup>36</sup> <https://www.oracle.com/security-alerts/#CVEOtherDocs>

<sup>37</sup> <https://docs.oracle.com/en-us/iaas/Content/Network/Concepts/overview.htm>

<sup>38</sup> [https://docs.oracle.com/en-us/iaas/Content/Network/Concepts/securitylists.htm#Security\\_Lists](https://docs.oracle.com/en-us/iaas/Content/Network/Concepts/securitylists.htm#Security_Lists)

<sup>39</sup> [https://docs.oracle.com/en-us/iaas/Content/Network/Concepts/vcn\\_flow\\_logs.htm](https://docs.oracle.com/en-us/iaas/Content/Network/Concepts/vcn_flow_logs.htm)

<sup>40</sup> <https://docs.oracle.com/en-us/iaas/Content/Database/Tasks/exaconnectingDB.htm>

<sup>41</sup> <https://docs.oracle.com/en-us/iaas/Content/Database/Tasks/exaconnectingDB.htm>

<sup>42</sup> <https://docs.oracle.com/en/engineered-systems/exadata-cloud-service/ecscm/exa-service-desc.html>

<sup>43</sup> <https://support.oracle.com/epmos/faces/DocumentDisplay?id=2875973.1>



Table 1: Roles and Responsibilities for ExaDB-D in OCI

WORK FUNCTION	ORACLE MANAGED INFRASTRUCTURE		CUSTOMER MANAGED SERVICES	
	Oracle Cloud Ops	Customer	Oracle Cloud Ops	Customer
<b>Monitoring</b>	Infrastructure, Control Plane, Hardware Faults, Availability, Capacity	Not Applicable	Infrastructure availability to support customer monitoring of customer services	Monitoring of Customer OS, Databases, VMs, and Apps
<b>Incident Management &amp; Resolution</b>	Incident Management and Remediation Spare Parts and Field Dispatch	Not Applicable	Support for any incidents related to the underlying platform	Incident Management and resolution for Customer's Apps
<b>Patch Management</b>	Proactive patching of Hardware, IaaS control software, hypervisor, and any applicable Oracle-managed infrastructure components	Not Applicable	Staging of available patches (e.g., Oracle DB patch set) per Maintaining an Exadata Database Service on Dedicated Infrastructure <sup>44</sup> documentation	Patching of tenant instances Testing
<b>Backup &amp; Restoration</b>	Infrastructure and Control Plane backup and recovery, recreate customer VMs	Not Applicable	Provide running and customer accessible VM	Snapshots / Backup & Recovery of customer's IaaS data using Oracle native or 3 <sup>rd</sup> party capability
<b>Cloud Support</b>	Response & Resolution of SR related to infrastructure or subscription issues	Submit SRs via My Oracle Support (MOS)	Response & Resolution of SR	Submit SRs via My Oracle Support (MOS)

## EXADB-D SERVICE ARCHITECTURE

The ExaDB-D service is deployed across Exadata Database Server and Storage Server racks in an OCI data center of the customer's choice. The ExaDB-D racks contain all the components of a standard Exadata Database Machine, plus networking hardware to support OCI VCNs. The physical Exadata rack and networking infrastructure may be shared among multiple tenants (customers). The Exadata Database Servers and Exadata Storage Servers are dedicated to a single tenant (customer).

The customer's database data is secured in the ExaDB-D Database Servers and Storage Servers in the OCI data center, and all customer access to customer databases is made via network connections (VCNs) the customer permits to access the VMs and databases in the ExaDB-D rack. Credentials to access the customer VMs and customer databases are retained and controlled by the customer. The customer has privileged access (e.g., root in the customer VM operating system, SYS in the Oracle database) to customer VMs and databases, and the customer can act with those credentials to secure the VM and database to help address policy and regulatory requirements. This includes, and is not limited to, installing agents, forwarding operating system and database audit logs to customer security information event management (SIEM), and controlling access to and identity management for VMs and databases via tools that are compatible with the ExaDB-D Compute VM operating system and Oracle database.

<sup>44</sup> <https://docs.oracle.com/en-us/iaas/Content/Database/Concepts/examaintenance.htm>

Customers deploy and manage ExaDB-D and database services using the Oracle Cloud Infrastructure Console and REST APIs. The customer controls access to the cloud automation's management functionality via the OCI Identity and Access Management (IAM)<sup>45</sup> service, and the OCI Audit<sup>46</sup> service provides the customer with a record of all customer-initiated management actions invoked via the OCI Console or OCI REST endpoints, such as creating or deleting databases. The customer controls network access to the ExaDB-D customer VM and database services running on the ExaDB-D service via OCI Virtual Cloud Networks.<sup>47</sup> Oracle controls network access the ExaDB-D infrastructure for cloud automation and for Oracle staff with a need to maintain the service.

## Network Block Diagram for ExaDB-D in OCI

Figure 1 summarizes the network architecture block diagram for ExaDB-D, and the Oracle Exadata Database Service on Dedicated Infrastructure Technical Architecture<sup>48</sup> product documentation provides further detail. Customer accessible and controlled components are shown in blue. Oracle managed components dedicated to the specific customer (single tenant) are shown in red. Oracle managed infrastructure that is shared among OCI tenants is shown in green. The ExaDB-D Database (DB) Servers and Storage Servers shown in red, are interconnected via an isolated layer 2 management network, also shown in red. There is no direct network access from the management network to the customer client and backup networks.

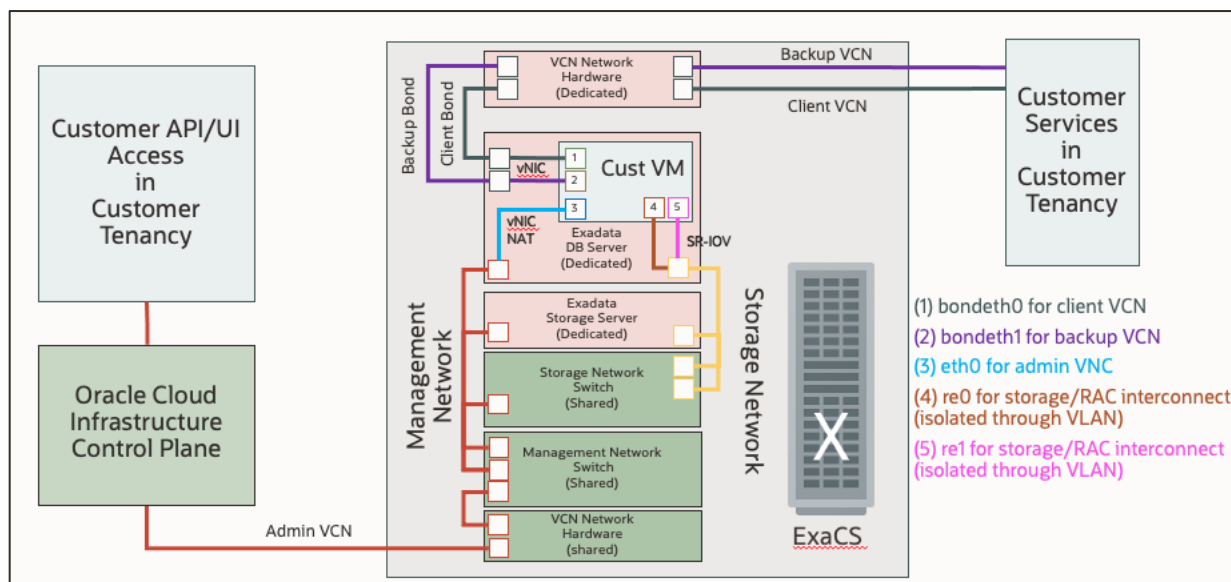


Figure 1: Network Architecture block diagram for Oracle Exadata Database Service on Dedicated Infrastructure

The Exadata Database Server is connected to the OCI networking infrastructure via specialized VCN networking hardware, shown in green for the Oracle-managed infrastructure (shared among customers/tenants), and red for customer services (dedicated to a customer/tenant). The customer has access to customer virtual machines (customer VM) via the client and backup networks implemented as OCI VCNs and mapped to the customer VM as vNIC interfaces. The physical network connections are implemented for high availability in an active/standby configuration that is managed by Oracle Cloud Operations. In the event of a physical network link failure, Oracle Cloud Operations will perform the necessary recovery steps to reinstate the network connection. This can lead to short network outages in some cases.

The customer VM accesses Exadata Storage via a private, non-routed interconnect network via SR-IOV mapped interfaces, shown in yellow. Each physical Exadata Database Server and Storage Server has a Highly Available (HA) (active/standby) connection to a pair of redundant storage networking switches.

A subset of Oracle cloud automation functionality accesses the customer VM via a NAT address on the management VCN implemented on a vNIC in the Exadata Database Server, shown in blue. Oracle cloud automation access to the customer VM is controlled via token based ssh. Temporary and unique ssh key pairs are generated by Oracle cloud automation to access

<sup>45</sup> <https://docs.oracle.com/en-us/iaas/Content/Identity/Concepts/overview.htm>

<sup>46</sup> <https://docs.oracle.com/en-us/iaas/Content/Audit/Concepts/auditoverview.htm>

<sup>47</sup> <https://www.oracle.com/cloud/networking/virtual-cloud-network/>

<sup>48</sup> <https://docs.oracle.com/en/engineered-systems/exadata-cloud-service/ecs/ids/>



the customer VM for each customer-initiated management action. The public key is injected by the cloud automation through the DBCS agent into the `~/.ssh/authorized_keys` files of the necessary service account in the customer VM, such as `oracle`, `opc`, `grid`, or `root`. The temporary private keys used by the automation is stored in memory Oracle cloud automation software running in the ExaDB-D hardware in the customer's data center and discarded after the action is completed. Likewise, the cloud automation software removes the temporary public key from the service account when the action is completed.

The port matrix describing running processes, TCP port numbers, and userids for running processes deployed in the customer VM is published in the Security Guide for Oracle Exadata Database Service on Dedicated Infrastructure Security Guide.<sup>49</sup> This guide describes security for an Exadata Cloud Infrastructure and includes information about the best practices for securing the Exadata Cloud Infrastructure.

## Customer Access to ExaDB-D Services

Customers access Oracle databases (DB) running on ExaDB-D via an OCI VCN connection from customer endpoints to the databases running in the customer VM using standard Oracle database connection methods, such as Oracle Net on TCP port 1521. Customer's access the VM running the Oracle databases via standard Oracle Linux methods, such as token based ssh on TCP port 22.<sup>50</sup>

Actions to manage infrastructure components, such as OCPU scaling and creating a Virtual Machine (VM) Cluster, are executed by the customer utilizing the cloud automation hosted in the OCI control plane. Customers do not have to manage the infrastructure layer as Oracle performs infrastructure management to support the 99.95% service uptime published in the Oracle PaaS and IaaS Public Cloud Pillar Documentation.<sup>51</sup> Customers are not authorized to directly access ExaDB-D infrastructure, load monitoring agents, or directly pull or push files to the Oracle managed infrastructure in the ExaDB-D service.

The customer's OCI Identity and Access Management (IAM) controls govern if and how a customer can execute Oracle cloud automation functionality against the customer VM and databases. The customer VM has detective access controls implemented through the Oracle Linux audit system, including detection of ssh access by cloud automation. Customers have control to block cloud automation ssh access at layers 3 and 4 via firewall configuration in the customer VM; however, this will break cloud automation functionality that must access the customer VM via ssh. This functionality includes:

- Database patching
- Grid Infrastructure patching
- Customer VM OS patching
- Oracle managed infrastructure quarterly patching (used to validate CRS restarts in the customer VM)
- Add Database Server Infrastructure
- Add VM Cluster Node
- Delete VM Cluster Node
- Add Storage Server

Oracle cloud automation access may be temporarily restored by the customer to permit the subset of functionality required to access the customer VM and customer databases. Oracle cloud automation does not need network access the customer VM to perform OCPU scaling, and OCPU scaling functionality will function normally when customers block Oracle cloud automation network access to the customer VM.

## Customer Access to OCI Interfaces

The customer accesses cloud automation services in their OCI tenancy via an https connection on port 443 to the OCI Control Plane. The OCI Control Plane provides the following management interfaces:

- Web User Interface (web UI) – typically for ad hoc actions
- Oracle Cloud Shell - Linux shell directly in the Oracle Cloud Infrastructure Console
- OCI Command Line Interface (OCI CLI) – typically for programmatic actions from an operating system shell
- REST API (OCI software development kit, OCI SDK) – typically for application integration

---

<sup>49</sup> <https://docs.oracle.com/en-us/iaas/exadatacloud/exacs/ecs-security-guide.html>

<sup>50</sup> <https://docs.oracle.com/en/engineered-systems/exadata-cloud-service/ecscm/ecs-connect-to-service-instance.html#GUID-53DE1ED5-96D9-4F7F-B57F-4EF8D01FCDCB>

<sup>51</sup> <https://www.oracle.com/assets/paas-iaas-pub-cld-srvs-pillar-4021422.pdf>

The OCI Terraform Provider<sup>52</sup> may be used to deploy and manage ExaDB-D. Documentation for the Hashicorp Terraform software is available from Hashicorp.<sup>53</sup>

Access to all management interfaces is controlled by the customer via OCI Identity and Access Management (IAM) policies. If a customer-managed identity is authorized to perform a requested action, then the action is delivered to the appropriate ExaDB-D components, as follows:

- DBaaS UI/API sends request to DB Control Plane via https
- DB Control Plane sends the request via REST API to the ExaDB-D Admin VCN
  - Actions that require access to Database Services in the customer VM are sent to the DB Agent running in any or all the customer VMs (e.g., up to 4 VMs in a half rack) via a secure connection (mTLS) between the OCI control plane and each DB Agent; this mTLS connection is implemented through the private interconnect network in the ExaDB-D rack; the port matrix for software processes running in the customer VM is published in the Exadata Database Service on Dedicated Infrastructure Security Guide<sup>54</sup>
  - Actions that require access to the customer VM are executed via token-based ssh over the internal management network implemented as a NAT address on the customer VM that is accessible from the Exadata Database Server; the public ssh keys are temporary, generated for the purpose of the customer-invoked management action, and are stored in the `authorized_keys` files of the `oracle`, `opc`, `grid`, and `root` users in the customer VM; the private ssh keys are temporary, generated for the purpose of the customer-invoked management action, and stored in-memory by the Oracle cloud automation software running in the Exadata hardware stored in the customer's data center
  - Actions that require access to infrastructure components are issued via token-based ssh over the internal management network to the required endpoint (e.g., Exadata Storage Server, Exadata Database Server)

Oracle manages and controls the private ssh tokens used to manage infrastructure and customer VM components. These tokens are stored and protected in the OCI control plane. The infrastructure tokens are unique and only provide access to infrastructure components (e.g., Exadata Storage Servers, physical Exadata Database Server, Storage Network switch), and do not provide access to customer VMs or databases. The customer VM tokens are unique to the specific management action and only provide access to the customer VM.

## Oracle Infrastructure Monitoring

Oracle monitors and generates alerts if it is actionable by Oracle as indicated in "Oracle Support Document 2875973.1 (Exadata Database Service on Dedicated Infrastructure - Explanation Of Cloud Operations Service)."<sup>55</sup> Oracle monitors the infrastructure layer, which includes Exadata Compute (Dom0), Exadata Cell, Network Switches and Control Plane Server (CPS) via the Exadata Database Machine alerting mechanism. Additional monitoring is implemented for node availability, disk utilization, network devices, etc..

Oracle does not monitor performance metrics which are not actionable by Oracle. Such as Flash Cache usage, IO usage, etc.. Oracle does not monitor Guest VM, CRS, ASM, Database and any additional software running on the Guest OS. It is customers responsibility to monitor Guest VM, CRS/ DB, etc..

The ExaDB-D infrastructure components report their Infrastructure Management Metrics (IMM) to monitoring servers in the OCI control plane. Oracle Support performs monitoring and maintenance of the ExaDB-D implementation as follows:

- Automated monitoring on Oracle Cloud Service infrastructure components sends Infrastructure Monitoring Metrics (IMM) to monitoring servers in the OCI control plane
  - Chassis temperature, drive status, etc.
  - Details for all monitoring data are published at Auto Service Request Qualified Engineered Systems Products<sup>56</sup>
- Oracle Support analyzes monitoring data, determines which events require correction, creates support tickets, and assigns support tickets to OCI support staff
- After being assigned a ticket, Cloud Ops support staff are authorized and dispatched to perform required support actions

---

<sup>52</sup> <https://docs.oracle.com/en-us/iaas/Content/API/SDKDocs/terraform.htm>

<sup>53</sup> <https://registry.terraform.io/providers/hashicorp/oci/latest/docs>

<sup>54</sup> <https://docs.oracle.com/en-us/iaas/exadatacloud/exacs/ecs-security-guide.html>

<sup>55</sup> <https://support.oracle.com/epmos/faces/DocumentDisplay?id=2875973.1>

<sup>56</sup> [https://docs.oracle.com/cd/E37710\\_01/doc.41/e37287/toc.htm](https://docs.oracle.com/cd/E37710_01/doc.41/e37287/toc.htm)

## Quarterly Software Updates

Standard quarterly bundle patches for the Oracle database, Grid Infrastructure, and customer VM operating system are staged to OCI Object Storage by Oracle. The quarterly software updates are listed for the customer in the cloud automation user interfaces, and application of those patches is controlled by the customer via OCI tools and policies. Patches are accessed directly from OCI Object Storage managed by Oracle. Quarterly patch information is available from Oracle Critical Patch Updates, Security Alerts and Bulletins.<sup>57</sup> My Oracle Support Document 2333222.1, Exadata Cloud Software Versions<sup>58</sup> provides information about current and historical software versions available for ExaDB-D. Oracle Cloud Infrastructure Maintenance documentation<sup>59</sup> describes the infrastructure update process, and the Patch and Update Exadata Cloud Infrastructure System documentation<sup>60</sup> describes the customer-managed update process for the customer VM, Grid Infrastructure, and Oracle database software.

Software updates for infrastructure components are deployed by Oracle cloud automation and Oracle staff, as required by the specific software updates. When possible, updates are applied to the running system, and without downtime, using tools like Linux ksplice. If an update requires a component restart, which is typical in a quarterly patch event, Oracle performs the component restart in a Real Application Cluster (RAC) rolling fashion to ensure service availability during the update process.

## Monthly Security Scans and Updates

Security maintenance,<sup>61</sup> performed alongside the quarterly maintenance, is executed in months when important security updates are needed and includes fixes for vulnerabilities with CVSS scores greater than 0.

Security maintenance, when needed, is scheduled to be applied during a 21-day window that begins after the 15th of each month. Customers will receive notification of the proposed schedule at least 7 days before the start of the monthly maintenance window and can reschedule monthly maintenance to another date in the window if desired. Monthly security maintenance contains fixes for all security vulnerabilities identified during the previous month's scans. Updates to database servers are applied online via Ksplice technology, while updates to storage servers are applied in a rolling fashion. The Configuring Oracle-Managed Infrastructure Maintenance product documentation<sup>62</sup> details how maintenance is scheduled and performed for ExaDB-D.

## Software Update Security Controls

All software updates are controlled by Oracle Software Security Assurance Practices.<sup>63</sup> Oracle Software Security Assurance<sup>64</sup> standards apply to ExaDB-D software. Oracle implements segregation of duties<sup>65</sup> for software development, software test and quality assurance, and deployment of software ExaDB-D components.

## PREVENTIVE CONTROLS

The ExaDB-D service is designed to isolate and protect customer services and database data from unauthorized access. The ExaDB-D service separates access control duties between the customer and Oracle: the customer controls access to customer services, databases, and database data, and Oracle controls access to Oracle-managed infrastructure components.

## Customer Access Controls

The customer controls access to their VMs, databases, and data via three types of controls:

- User Authentication

---

<sup>57</sup> <https://www.oracle.com/security-alerts/>

<sup>58</sup> <https://support.oracle.com/epmos/faces/DocumentDisplay?id=2333222.1>

<sup>59</sup> <https://docs.oracle.com/en-us/iaas/exadatacloud/exacs/exa-conf-oracle-man-infra.html#GUID-C4301E26-E809-438F-96D7-9C6BB02FEA7F>

<sup>60</sup> <https://docs.oracle.com/en-us/iaas/exadatacloud/exacs/ecs-patch-update.html>

<sup>61</sup> <https://docs.oracle.com/en-us/iaas/exadatacloud/exacs/exa-conf-oracle-man-infra.html#GUID-A2008207-3683-424F-9279-F632BF4C9076>

<sup>62</sup> <https://docs.oracle.com/en-us/iaas/Content/Database/Concepts/examaintenance.htm>

<sup>63</sup> <https://www.oracle.com/corporate/security-practices/assurance/>

<sup>64</sup> <https://www.oracle.com/corporate/security-practices/assurance/>

<sup>65</sup> <https://www.oracle.com/corporate/security-practices/corporate/access-control.html>

- Credentials to access OCI services
- Credentials to customer VM operating systems and database administration accounts
- Credentials for database users to access databases and database data
- Network Access
  - OCI VCNs and Security Lists to control layer 2 and 3 access to customer VMs
  - Network access rules implemented in the customer VM operating system and Oracle database
- Database Encryption
  - Application to database encryption<sup>66</sup>
  - Transparent Database Encryption (TDE) for user tablespaces<sup>67</sup>

## Customer Access Control for ExaDB-D Services

Customers perform management actions via OCI automation by making an https connection to the Oracle Cloud Control Plane in the OCI region chosen by the customer. The customer is authenticated using their OCI Identity and Access Management (IAM)<sup>68</sup> credentials, and customer actions are controlled via OCI IAM permissions configured by the customer for specific resources. If the customer user is authorized to perform the requested management action on the target resource, then the requested command is sent to the appropriate ExaDB-D components by Oracle-controlled service VCNs.

Customers and database applications access databases running on the ExaDB-D via OCI VNICs attached to the customer VM. Access to databases and operating system is made via customer managed credentials.<sup>69</sup>

## Customer Controls for Data Security

ExaDB-D is designed to help secure data for customer-authorized use, and to help protect data from unauthorized use, which includes preventing access to customer data by Oracle Cloud Ops staff members. Security measures designed to protect against unauthorized access to ExaDB-D infrastructure, customer VMs, and Oracle database data include the following:

- Customer retains control over named and privileged (e.g., SYS, SYSTEM) user authentication and access to customer database
- Customer retains control over named and privileged (e.g., root, opc, oracle, grid) user authentication and access to customer VM
- Access to customer VM is logged by the customer VM operating system, these logs are available to the customer, and the customer can send these logs to other security information event management (SIEM) systems of their choice
- Customer can install monitoring agents and security controls of their choice on the customer VM operating system if these agents don't modify the Linux kernel or interfere with Exadata operation<sup>70</sup>
- Network connections to the Oracle database are designed to be protected by Oracle Native Network Encryption, which is automatically configured by cloud automation
- Oracle user tablespace database data is protected by Oracle Transparent Data Encryption (TDE) keys
  - Automatically configured by cloud automation and stored in password protected, PKCS12 wallet file stored in the file system of the customer VM
  - Customer controls access to TDE encryption keys via the wallet password
  - Customer can secure the TDE master key to the OCI Vault<sup>71</sup> service

---

<sup>66</sup> ExaDB-D automation configures Oracle Native Network Encryption; Oracle strongly recommends that customers preserve this control

<sup>67</sup> ExaDB-D automation configured Oracle Transparent Data Encryption (TDE); Oracle strongly recommends that customers preserve this control

<sup>68</sup> <https://docs.oracle.com/en-us/iaas/Content/Identity/Concepts/overview.htm>

<sup>69</sup> <https://docs.oracle.com/en-us/iaas/Content/Database/Tasks/exaconnectingDB.htm>

<sup>70</sup> Oracle does not test or support 3<sup>rd</sup> party software with ExaDB-D; customers should check with 3<sup>rd</sup> party providers to ensure the 3<sup>rd</sup> party provider has tested and validated their software with ExaDB-D and that the 3<sup>rd</sup> party provider can support their software on ExaDB-D

<sup>71</sup> <https://www.oracle.com/security/cloud-security/key-management/>

- Oracle Database Vault,<sup>72</sup> a feature of the Oracle database software, may be configured by customers to help protect user data access from database administrators

**Controls to Protect Data in Flight, While Processing, and at Rest**

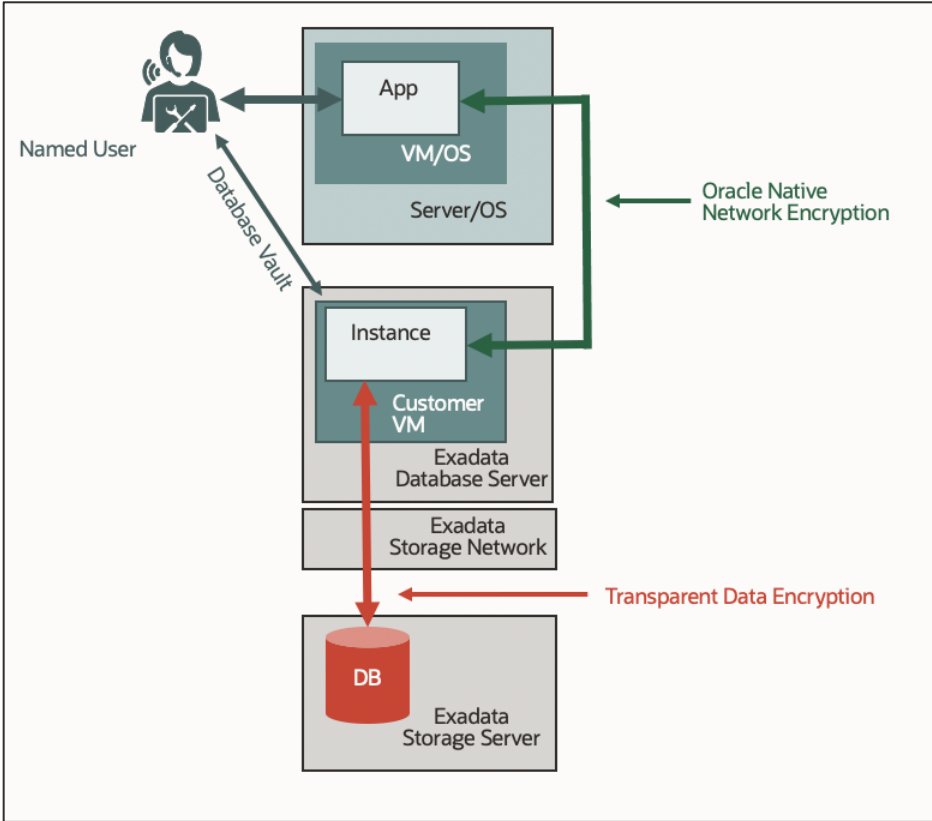


Figure 2 shows additional controls within the Oracle Database that protect customer data access from people or software that can gain access to infrastructure and customer VM components:

- Oracle Native Network Encryption<sup>73</sup>
- Oracle Database Vault<sup>74</sup>
- Oracle Transparent Database Encryption (TDE)<sup>75</sup>

<sup>72</sup> Oracle Database vault is included with Enterprise Edition Extreme Performance subscription, and is not included with a Bring Your Own License (BYOL) subscription

<sup>73</sup> Included with Enterprise Edition Extreme Performance subscription and with Bring Your Own License (BYOL) subscription

<sup>74</sup> Included with Enterprise Edition Extreme Performance subscription, not included with Bring Your Own License (BYOL) subscription

<sup>75</sup> Included with Enterprise Edition Extreme Performance subscription and with Bring Your Own License (BYOL) subscription



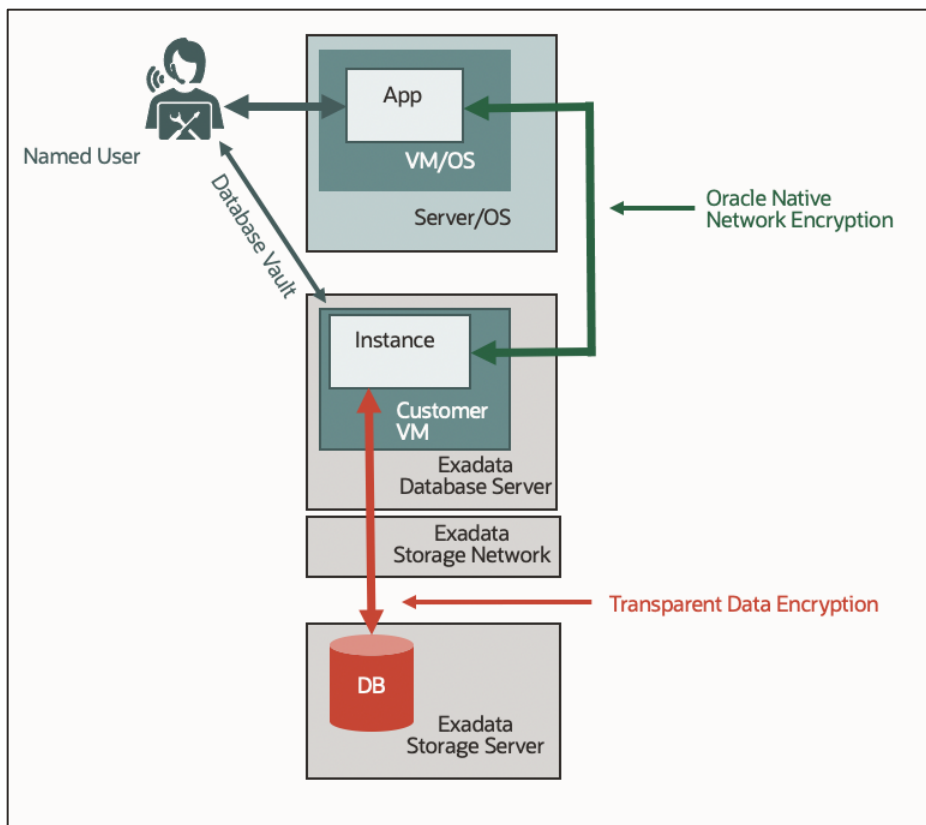


Figure 2: Controls to protect data in flight, while processing, and at rest

## Oracle Native Network Encryption

Oracle Native Network Encryption encrypts data in flight between the application and the Oracle database instance and is automatically configured for databases created via the ExaDB-D automation. When Oracle Native Network Encryption is enabled, access to infrastructure components that can observe IP and Ethernet packets does not provide access to customer data because the data is encrypted. Documentation for Oracle Native Network Encryption and TLS/SSL is published in the Security Guide for each Oracle Database version. For example, for Oracle database 19c, see <https://docs.oracle.com/en/database/oracle/oracle-database/19/dbseg/configuring-network-data-encryption-and-integrity.html#GUID-7F12066A-2BA1-476C-809B-BB95A3F727CF>. ExaDB-D cloud automation does not provide interfaces to configure TLS/SSL for Oracle database connections. Customers may configure TLS/SSL using the operating system tools deployed in the customer VM.

## Oracle Database Vault

Oracle Database Vault security controls are designed to help protect application data from database administrator access and help address privacy and regulatory requirements. You can deploy controls to block database administrator access to application data and control sensitive operations inside the database using trusted path authorization. Oracle Database Vault helps to secure existing database environments transparently, eliminating costly and time-consuming application changes. Customers are responsible for configuring and managing Oracle Database Vault via Oracle database software methods. Documentation for Oracle Database Vault is published in the Oracle Database Vault Administrator's Guide<sup>76</sup> published for each database version.

## Oracle Transparent Data Encryption

Oracle Exadata Database Service on Dedicated Infrastructure (ExaDB-D) uses Oracle Transparent Data Encryption (TDE) to protect data at rest for its databases. TDE is a two-tier key architecture comprising of data encryption and master encryption

<sup>76</sup> For Oracle Database 19c, see <https://docs.oracle.com/en/database/oracle/oracle-database/19/dvadm/introduction-to-oracle-database-vault.html#GUID-0C8AF1B2-6CE9-4408-BFB3-7B2C7F9E7284>



keys. The data encryption keys protect table and tablespaces but are wrapped by a single database master encryption key. The master key is separated from encrypted data and are stored outside of the database. The TDE master key can be stored in an Oracle Wallet, a PKCS#12 standard-based key storage file.

For further information on Oracle TDE, consult the Advanced Security Guide for the Oracle database version you are running. The Oracle TDE FAQ<sup>77</sup> provides answers to common Oracle TDE architecture and implementation questions.

Details for the TDE implementation on ExaDB-D are shown in the Exadata Database Machine Cryptographic Services<sup>78</sup> documentation.

### Oracle TDE for ExaDB-D with OCI Vault

ExaDB-D is integrated with Oracle Cloud Infrastructure (OCI) Vault service. Customers can create and manage TDE keys with OCI Vault instead of the Oracle Wallet stored in the customer VM as an added measure of separation for systems that require that enhanced security posture. OCI Vault has the following benefits:

- Control and manage TDE master keys in a separate hardware implementation from the database service
- TDE keys are stored in a highly available, durable, and managed service
- TDE keys are protected by hardware security modules (HSM) that meet Federal Information Processing Standards (FIPS) 140-2 Security Level 3 security certification
- Automation to rotate TDE keys and audit their cryptographic operations to meet compliance and regulatory needs

To manage ExaDB-D TDE keys, customers should first access the Vault service and create encryption keys. The encryption key algorithm you use must be AES-256. Next, customers should ensure the required IAM policy is set for you to manage keys in Vault. Once these prerequisite steps are complete, customers can create Exadata databases protected by customer managed keys. Only databases after Oracle Database 11g release 2 (11.2.0.4) are supported.

### Oracle TDE for ExaDB-D with Oracle Key Vault (OKV)

Customers may choose to migrate their ExaDB-D databases to Oracle Key Vault (OKV)<sup>79</sup>, the only key management solution for your Oracle database estate that provides continuous key availability by adding up to 16 OKV nodes to a key management cluster that can span geographically distributed data centers and the Oracle Cloud Infrastructure (OCI). Oracle Key Vault provides continuous online key management to all TDE-enabled databases and encrypted GoldenGate trail files. It also provides the capability to ingest externally generated keys (BYOK).

Oracle supports customers using Oracle Key Vault (OKV) as an external key store for databases running on ExaDB-D. Instructions for using operating system methods to migrate TDE Master Keys to OKV are published at “Migration of File based TDE to OKV for ExaDB-D Using Automation via REST (Doc ID 2924192.1).”<sup>80</sup>

Customers have the option to use the OKV Persistent Master Encryption Key Cache<sup>81</sup> to enable databases to be operational if the OKV server is unavailable.

## Controls for cloud automation Network Access to Customer VM

Oracle cloud automation software accesses customer databases and customer VM via 2 access methods:

- REST API call to Oracle DBCS agent running in customer VM via mTLS authentication on port 443
- Secure login to customer VM as a privileged user (root, opc, grid, oracle) via token-based ssh

The customer VM provides the Oracle Linux packet filtering software<sup>82</sup> as an additional data protection control to block network to the customer VM. The Oracle Linux firewall, iptables or firewallld, can be configured to block control plane

---

<sup>77</sup> <https://www.oracle.com/database/technologies/faq-tde.html>

<sup>78</sup> <https://docs.oracle.com/en/engineered-systems/exadata-database-machine/dbmsg/exadata-security-features.html#GUID-FA8A2A69-AEFC-4FE3-959A-A6E584BD1F4F>

<sup>79</sup> [https://docs.oracle.com/en/database/oracle/key-vault/21.2/okvag/okv\\_intro.html#GUID-0D169EB8-C355-459A-9ABD-325CA5B46DD0](https://docs.oracle.com/en/database/oracle/key-vault/21.2/okvag/okv_intro.html#GUID-0D169EB8-C355-459A-9ABD-325CA5B46DD0)

<sup>80</sup> [https://support.oracle.com/knowledge/Oracle%20Cloud/2924192\\_1.html](https://support.oracle.com/knowledge/Oracle%20Cloud/2924192_1.html)

<sup>81</sup> [https://docs.oracle.com/en/database/oracle/key-vault/21.7/okvag/security\\_objects.html#GUID-27DA6A5A-E405-4394-BD0D-C2B213391426](https://docs.oracle.com/en/database/oracle/key-vault/21.7/okvag/security_objects.html#GUID-27DA6A5A-E405-4394-BD0D-C2B213391426)

<sup>82</sup> <https://docs.oracle.com/en/operating-systems/oracle-linux/7/security/ol7-implement-sec.html#ol7-firewall-sec>

access at layers 3 (IP) and 4 (TCP port). Customers may configure the operating system firewall to help address their specific security requirements.

Customers do not have direct access to the infrastructure components for the purposes of determining source IP addresses for firewall configuration or testing customer VM firewall configuration for the purposes of blocking control plane access to customer VM. Customers should use the Oracle Service Request (SR) process to request that Cloud Ops determine the necessary firewall rules, and to validate that the customer VM firewall configuration blocks control plane access as required.

Oracle cloud automation secure login via token-based ssh is not compatible with Kerberos authentication, and parts of the Oracle cloud automation functionality may cease to function if customers implement Kerberos authentication in the customer VM. Oracle does not support customers configuring Kerberos operating system authentication in the customer VM because this action breaks the cloud automation. Customers may configure Kerberos authentication for Oracle database user authentication. For details, please see Oracle Support Document 2621025.1 (Does ExaCC VM's Support Kerberos Authentication).<sup>83</sup>

## Controls for Customer Staff Access to Customer VM

Access to the customer VM is implemented via token-based ssh.<sup>84</sup> Customers use their OCI Cloud Tenancy credentials and controls to add customer-specified public keys to the `/home/oracle/opc/.ssh/authorized_keys` file of the `opc` user. Customer staff with access to the private keys associated with the installed public keys can gain access to the customer VM via token-based ssh. Oracle cloud automation does not integrate with customer key management systems, and customers can manage ssh keys using technology compatible with Oracle Linux.

As of Exadata software version 22.1.4.0.0.221020, Microsoft Active Directory (AD) and Lightweight Directory Access Protocol (LDAP) authentication to the customer VM can be implemented by customers on ExaDB-D. ExaDB-D does not provide cloud automation support for this configuration. Customers can configure AD and LDAP by directly accessing the ExaDB-D customer VM to implement AD and LDAP. Customers should note that the ExaDB-D customer VM updates<sup>85</sup> are executed as image updates using the Exadata Database Machine image update process,<sup>86</sup> and that customers should test and validate how their AD or LDAP implementation is affected by the image update process. Customers should plan for the possibility of needing to temporarily disable or remove AD or LDAP during a patch cycle, and then reinstate AD or LDAP following the patch if the implementation of AD or LDAP is not compatible with the image update process.

## Controls for Protecting Against Theft of Data

User tablespace data in ExaDB-D databases is protected by Oracle Transparent Data Encryption (TDE). Theft of encrypted data is of limited use, due to the technical difficulty of decrypting the data. The United States Department of Defense (DoD) and National Security Agency (NSA) endorse AES encryption standards to secure data. Reference NSA guidelines<sup>87</sup> and NIST standards<sup>88</sup> for further detail.

Oracle's Corporate Security Practices<sup>89</sup> cover the management of security for Oracle's internal operations and the cloud services, including ExaDB-D, Oracle provides to its customers, and apply to all Oracle personnel, such as employees and contractors. These policies are aligned with the ISO/IEC 27002:2022 (formerly known as ISO/IEC 17799:2005) and ISO/IEC 27001:2022 standards and guide all areas of security within Oracle.

## Oracle Data Safe

Oracle Data Safe<sup>90</sup> is a security cloud service that is included with your Exadata Cloud at Customer subscription. Data Safe helps you:

---

<sup>83</sup> [https://support.oracle.com/knowledge/Oracle%20Cloud/2621025\\_1.html](https://support.oracle.com/knowledge/Oracle%20Cloud/2621025_1.html)

<sup>84</sup> <https://docs.oracle.com/en/engineered-systems/exadata-cloud-service/ecscm/ecs-connecting-to-service-inst.html#GUID-53DE1ED5-96D9-4F7F-B57F-4EF8D01FCDCB>

<sup>85</sup> <https://docs.oracle.com/en-us/iaas/exadata/doc/ecc-update-exacc-system.html>

<sup>86</sup> <https://docs.oracle.com/en/engineered-systems/exadata-database-machine/dbmmn/updating-exadata-software.html#GUID-E6090FA9-13B4-4BEF-A28D-73BDC3729C58>

<sup>87</sup> <https://apps.nsa.gov/iaarchive/programs/iad-initiatives/cnsa-suite.cfm>

<sup>88</sup> <https://www.nist.gov/publications/advanced-encryption-standard-aes>

<sup>89</sup> <https://www.oracle.com/corporate/security-practices/corporate/>

<sup>90</sup> <https://docs.oracle.com/en-us/iaas/data-safe/index.html>

- Assess your database's security configuration
- Detect configuration drift
- Identify high-risk database accounts and view their activity
- Provision audit policies
- Analyze audit data, including generating reports and producing alerts
- Discover sensitive data, including what type of data, how much of it there is, and where the data is located
- Mask sensitive data to remove security risk from non-production databases copies

There is no additional cost to use Data Safe so long as you do not exceed one million audit records per database in a month.

Oracle Data Safe Technical Architecture<sup>91</sup> includes functionality that supports an on-premises connector deployed on customer-controlled servers to facilitate connecting databases running on ExaDB-D to connect to the OCI Data Safe service in an OCI region. The Data Safe FAQ<sup>92</sup> provides answers to commonly asked questions about Data Safe.

## Oracle Database Security Assessment Tool (DBSAT)

The Oracle Database Security Assessment Tool is a stand-alone command line tool that accelerates the assessment and regulatory compliance process by collecting relevant types of configuration information from the database and evaluating the current security state to provide recommendations on how to mitigate the identified risks.

DBSAT is provided at no additional cost and is designed to enable customers to quickly find:

- Security configuration issues, and how to remediate them,
- Users and their entitlements,
- Location, type, and quantity of sensitive data.

DBSAT analyzes information in the database and listener configuration to identify configuration settings that may unnecessarily introduce risk. DBSAT goes beyond simple configuration checking, examining user accounts, privilege and role grants, authorization control, separation of duties, fine-grained access control, data encryption and key management, auditing policies, and OS file permissions. DBSAT applies rules to quickly assess the current security status of a database and produce findings in all the areas above. For each finding, DBSAT recommends remediation activities that follow best practices to reduce or mitigate risk. By applying the comprehensive measurements and compensating controls described by DBSAT, customers can reduce data exposure risk throughout their enterprise. Oracle DBSAT is available for download from Oracle.<sup>93</sup>

## Oracle Controls for Cloud Operations Access to Infrastructure Components

Oracle Cloud Ops staff are not authorized to access customer VMs, databases, or database data under normal operating conditions<sup>94</sup>. Oracle Cloud Operations staff are authorized to access and support ExaDB-D infrastructure components, which include the following equipment:

- Power Distribution Units (PDUs)
- Out of band (OOB) management switches
- Storage Network switches
- Exadata Storage Servers
- Physical Exadata database servers

## Oracle Technical Access Controls

Figure 3 shows how Oracle Cloud Operations (Cloud Ops) staff access infrastructure components to manage the ExaDB-D.

<sup>91</sup> <https://docs.oracle.com/en/solutions/oracle-data-safe-for-on-prem-database/index.html#GUID-07534FC6-3B10-48E5-BD49-C011D55D1070>

<sup>92</sup> <https://www.oracle.com/security/database-security/data-safe/faq/>

<sup>93</sup> <https://www.oracle.com/database/technologies/security/dbsat.html>

<sup>94</sup> Exception conditions that can permit Oracle staff to access customer VMs are described in Exception workflows - Oracle Access to Customer VM

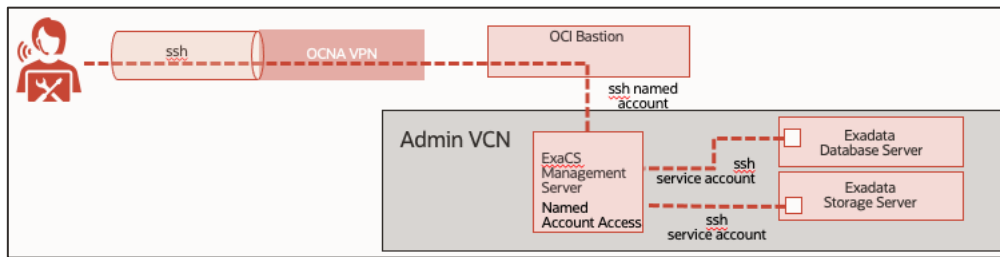


Figure 3: Cloud Operations Staff Access to ExaDB-D Infrastructure Components

Oracle controls Oracle Cloud Ops staff access to Cloud Service infrastructure components in the following process:

- Access Oracle Cloud Network Attach (OCNA) using FIPS 140-2 level 3 hardware MFA (Yubikey) based on entitlements specific to job code
- Access to Bastion and Management servers for the purposes of ssh access to ExaDB-D infrastructure
  - Access to ExaDB-D management servers is implemented as a tunnel through the Bastion server isolated to OCI privileged administrative VCN located in the OCI region hosting the service
  - Connections through Bastion servers are logged and monitored by Oracle
- Login to management servers dedicated to managing ExaDB-D infrastructure as a named user via ssh using MFA implemented with a FIPS 140-2 Level 3 hardware token (Yubikey)
  - Access to the management server is controlled based on Oracle’s published least privileged access policies<sup>95</sup>
  - Connections to the ExaDB-D infrastructure are logged and monitored by Oracle
- Log into the ExaDB-D infrastructure using the required service account using token-based ssh
  - Command execution is traceable to a specific named user via audit logging implemented in the ExaDB-D infrastructure
  - Connections to infrastructure components are logged and monitored by Oracle

## Oracle Process Access Controls

Oracle’s Access Control<sup>96</sup> security practice restricts access to Oracle staff with a need to know and need to access ExaDB-D infrastructure, and include the following policies:

- Authorization to access ExaDB-D infrastructure is limited to specific support staff whose job codes and training records are in compliance with Oracle policies; technical security measures enforce this policy
- Automated HR joiner/mover/leaver processes ensure authorization to access customer infrastructure is consistent with updates to employee job code, training records, and employment status

## Exadata Infrastructure Software Security and Controls

ExaDB-D is based on the Exadata Database Machine and delivers the enterprise-class security features of Exadata Database Machine<sup>97</sup> in an on-premises cloud model. Security features of ExaDB-D include the following:

- Software deployed on ExaDB-D infrastructure is limited to the minimum software components to run customer services
- Development and debug tools to inspect customer data are not installed on ExaDB-D infrastructure
- Non-essential operating system tools and packages are not installed on ExaDB-D infrastructure
- Software development performed under Oracle Software Security Assurance<sup>98</sup>
- Security architecture performed under Oracle Corporate Security Architecture<sup>99</sup>

<sup>95</sup> <https://www.oracle.com/corporate/security-practices/corporate/access-control.html>

<sup>96</sup> <https://www.oracle.com/corporate/security-practices/corporate/access-control.html>

<sup>97</sup> <https://docs.oracle.com/en/engineered-systems/exadata-database-machine/dbmsq/toc.htm>

<sup>98</sup> <https://www.oracle.com/corporate/security-practices/assurance/>

<sup>99</sup> <https://www.oracle.com/corporate/security-practices/corporate/governance/security-architecture.html>

## DETECTIVE CONTROLS (LOGGING AND AUDITING)

ExaDB-D provides robust detective controls (auditing and logging) for customer services and Oracle managed infrastructure. The customer controls the logging configuration of customer services, and Oracle controls the logging configuration of Oracle managed infrastructure. Oracle is not authorized to access customer service audit logs. The customer may request access to applicable Oracle audit log information via the Oracle service request (SR) process, and customers may view their audit rights in the Oracle Data Processing Agreement (DPA).<sup>100</sup>

### Customer Audit Logging

ExaDB-D provides three capabilities for auditing and logging of customer actions:

- OCI Audit Service:<sup>101</sup> audit logs for control plane actions (e.g., web UI, OCI CLI, OCI REST API) initiated via a customer's OCI IAM credential
- Oracle database auditing:<sup>102</sup> audit logs for database actions initiated via a customer's Oracle database credential
- Customer VM operating system audit log:<sup>103</sup> audit logs for actions initiated on a customer VM via an operating system credential

The OCI Audit Service automatically records calls to all supported Oracle Cloud Infrastructure public application programming interface (API) endpoints as log events. Currently, all services support logging by Audit Logging. Object Storage service supports logging for bucket-related events, but not for object-related events. Log events recorded by the Audit service include API calls made by the Oracle Cloud Infrastructure Console, Command Line Interface (CLI), Software Development Kits (SDK), your own custom clients, or other Oracle Cloud Infrastructure services. Information in the logs includes the following:

- Time the API activity occurred
- Source of the activity
- Target of the activity
- Type of action
- Type of response

Each log event includes a header ID, target resources, timestamp of the recorded event, request parameters, and response parameters. You can view events logged by the OCI Audit<sup>104</sup> service by using the Console, API, or the SDK for Java. Data from events can be used to perform diagnostics, track resource usage, monitor compliance, and collect security-related events.

Oracle database auditing tracks changes made to the Oracle database by database users and non-database users. Customers can configure and manage the Oracle database audit log, including sending the audit log a remote log server. Documentation for configuring, managing, and monitoring of Oracle database audit logs is published in the Oracle Database Security Guide<sup>105</sup> for each database version.

The customer VM operating system audit log is implemented as the audit log service for the Oracle Linux (OL) operating system running in the customer VM. The Oracle Linux audit log service records actions executed via operating system credentials, such as root, orac1e, opc, and named users configured by the customer. Customers can configure the Oracle Linux audit log per their standards, including sending the Oracle Linux audit log to a remote log server. Documentation is published in the Oracle Linux Security Guide.<sup>106</sup>

---

<sup>100</sup> <https://www.oracle.com/a/ocom/docs/corporate/data-processing-agreement-062619.pdf>

<sup>101</sup> <https://docs.oracle.com/en-us/iaas/Content/Audit/Concepts/auditoverview.htm>

<sup>102</sup> <https://docs.oracle.com/en/database/oracle/oracle-database/19/dbseg/introduction-to-auditing.html#GUID-94381464-53A3-421B-8F13-BD171C867405>

<sup>103</sup> <https://docs.oracle.com/en/operating-systems/oracle-linux/7/security/ol7-implement-sec.html#ol7-audit-sec>

<sup>104</sup> <https://docs.cloud.oracle.com/iaas/Content/Audit/Concepts/auditoverview.htm>

<sup>105</sup> Oracle database 19c, see <https://docs.oracle.com/en/database/oracle/oracle-database/19/dbseg/introduction-to-auditing.html#GUID-94381464-53A3-421B-8F13-BD171C867405>

<sup>106</sup> <https://docs.oracle.com/en/operating-systems/oracle-linux/7/security/ol7-audit-sec.html>



## Customer Security Scanning of Customer VM

Customers may use OpenSCAP<sup>107</sup> to scan the customer VM for compliance.

Customers may use the Oracle Linux Advanced Intrusion Detection Environment (AIDE)<sup>108</sup> to check file and directory integrity. AIDE is a small, yet powerful, intrusion detection tool automatically installed with the Linux Operating System, that uses predefined rules to check file and directory integrity. It is meant to protect the system internally, by providing a layer of protection against viruses, rootkits, malware, and detection of unauthorized activities. It is an independent static binary for simplified client/server monitoring configurations. It runs on demand, and the time to report changes is dependent on the system checks (usually at least once a day). The utility works by using a number of algorithms (such as, but not limited to, md5, sha1, rmd160, tiger), supports common file attributes and also supports regular expression parsers for file(s) to be included or excluded from the scan.

Customers have control to install third party software, including scanning software, on the ExaDB-D customer VM. Oracle will not provide technical support for non-Oracle software. This includes installation, testing, certification, and error resolution. The supplier of the custom/third party software is responsible for any technical support for it. It is highly recommended that all non-Oracle software be certified by the vendor for use in an Oracle Linux and/or Exadata environment and thorough testing is performed in the target environment by the customer and third party providers. Details for third party software support on ExaDB-D are published on My Oracle Support at Installing Third Party Software on Exadata Components (Doc ID 1593827.1).<sup>109</sup>

Customers using third party scanning tools with third party provided benchmarks should take care to update benchmarks to make them compatible with the ExaDB-D software distribution and configuration. In some cases, arbitrary benchmarks can flag security issues on the ExaDB-D customer VM that may not be a material risk due to compensating controls on the ExaDB-D service that the benchmark is not aware of. Customers may reference My Oracle Support Note, "Responses to common Exadata security scan findings (Doc ID 1405320.1)"<sup>110</sup> at to learn more about how common benchmarks may be adjusted to work with Exadata. If the ExaDB-D customer VM is modified to comply with a third party or customer designed benchmark these modifications should be tested to validate that they do not compromise ExaDB-D software automation. Automated software updates, including operating system, Oracle database, and Grid Infrastructure updates may revert customer changes that are implemented to meet third party provided security benchmarks.

Customer security testing of the ExaDB-D customer VM must be done in accordance with Oracle Cloud Testing Policies.<sup>111</sup>

## Customer Use of Third-Party Software on ExaDB-D Customer VM

Customers have control to install third party software, including scanning software, on the ExaDB-D customer VM. Oracle will not provide technical support for non-Oracle software. This includes installation, testing, certification, and error resolution. The supplier of the custom/third party software is responsible for any technical support for it. It is highly recommended that all non-Oracle software be certified by the vendor for use in an Oracle Linux and/or Exadata environment and thorough testing is performed in the target environment by the customer. Details for third party software support on ExaDB-D are published on My Oracle Support Installing Third Party Software On Exadata Components (Doc ID 1593827.1).<sup>112</sup>

## Oracle Audit Logging

Audit logging of actions taken in the ExaDB-D infrastructure owned by Oracle are the responsibility of Oracle. Oracle maintains the following infrastructure audit logs for ExaDB-D X8 and earlier hardware:

- ILOM
  - syslog
  - ILOM syslog redirected to the syslog of the physical infrastructure component
- Physical Exadata Database Server
  - /var/log/messages

---

<sup>107</sup> <https://docs.oracle.com/en/operating-systems/oracle-linux/7/security/ol7-scap-sec.html>.

<sup>108</sup> [https://support.oracle.com/knowledge/Oracle%20Linux%20and%20Virtualization/2616282\\_1.html](https://support.oracle.com/knowledge/Oracle%20Linux%20and%20Virtualization/2616282_1.html)

<sup>109</sup> [https://support.oracle.com/knowledge/Oracle%20Cloud/1593827\\_1.html](https://support.oracle.com/knowledge/Oracle%20Cloud/1593827_1.html)

<sup>110</sup> [https://support.oracle.com/knowledge/Oracle%20Database%20Products/1405320\\_1.html](https://support.oracle.com/knowledge/Oracle%20Database%20Products/1405320_1.html)

<sup>111</sup> [https://docs.oracle.com/en-us/iaas/Content/Security/Concepts/security\\_testing-policy.htm](https://docs.oracle.com/en-us/iaas/Content/Security/Concepts/security_testing-policy.htm)

<sup>112</sup> [https://support.oracle.com/knowledge/Oracle%20Cloud/1593827\\_1.html](https://support.oracle.com/knowledge/Oracle%20Cloud/1593827_1.html)



- /var/log/audit.log
- /var/log/secure
- /var/log/xen/xend.log
- Exadata Storage Server
  - /var/log/messages
  - /var/log/audit.log
  - /var/log/secure
- Storage Network Switch
  - /var/log/messages
  - /var/log/audit.log
  - /var/log/secure
  - /var/log/opensm.log

Oracle retains the following audit logs for ExaDB-D X8M and later hardware:

- ILOM
  - syslog
  - ILOM syslog redirected to the syslog of the physical infrastructure component
- Physical Exadata Database Server
  - /var/log/messages
  - /var/log/secure
  - /var/log/audit/audit.log
  - /var/log/clamav/clamav.log
  - /var/log/aide/aide.log
- Exadata Storage Server
  - /var/log/messages
  - /var/log/secure
  - /var/log/audit/audit.log

The retention period for infrastructure audit logs is 13 months. Infrastructure audit logs are stored in the OCI SIEM service and OCI Logging service and are accessible by the Oracle Incident Management team and OCI security teams. Customers may request access to infrastructure audit logs via the Oracle Service Request (SR) process. If a customer detects suspicious activity, the process is to log a security Service Request, provide applicable logs which will trigger an Oracle Security Operations Center (SOC) engagement. This review is performed by an independent team which works with the customer to investigate events.

## RESPONSIVE CONTROLS

The customer and Oracle work together to secure and monitor access to customer services, databases, database data, VMs, and infrastructure. Should either party detect an unauthorized action, that party can take responsive action immediately and prior to notifying the other party, depending on security policy and the details and circumstances of the unexpected action. If the customer detects an unauthorized action, the customer should notify Oracle of the action and response via the Oracle Service Request process. Oracle will notify the customer of confirmed unauthorized actions and Oracle responses per Oracle's Incident Response Policy.<sup>113</sup>

The customer may take any responsive action on any services they control. This includes terminating network connections into the customer VM and into the customer-controlled Oracle database.

Oracle's responsive controls may include terminating connections at Bastion Servers in OCI and revoking access to Oracle-managed ExaDB-D infrastructure resources.

## SERVICE TERMINATION AND DATA DESTRUCTION

Customers may terminate their ExaDB-D instance as part of ExaDB-D Lifecycle Management Operations<sup>114</sup>. Terminating an Exadata Database Service on Dedicated Infrastructure resource permanently deletes it and any databases running on it. The terminate service functionality is implemented as Exadata Database Machine Secure Erase.<sup>115</sup> The Exadata Secure Eraser

<sup>113</sup> <https://www.oracle.com/corporate/security-practices/corporate/security-incident-response.html>

<sup>114</sup> <https://docs.oracle.com/en-us/iaas/Content/Database/Tasks/examanagingDBsystem.htm>

<sup>115</sup> <https://docs.oracle.com/en/engineered-systems/exadata-database-machine/dbmsq/exadata-secure-erase.html#GUID-6C9FD30C-FF88-4ABA-9249-93E183784B0D>

automatically detects the hardware capability of a storage device and picks the best erasure method supported by the device. Cryptographic erasure is used whenever possible to provide better security and faster speed. The cryptographic erasure method used by Secure Eraser is fully compliant with the NIST SP-800-88r1 standard.<sup>116</sup> Customers may obtain secure erase certifications from Oracle by opening a My Oracle Support (MOS) request.

## EXCEPTION WORKFLOWS - ORACLE ACCESS TO CUSTOMER VM

The ExaDB-D service does not authorize Oracle staff to access the customer VM under normal operating conditions. There are exception cases where a failure in the customer VM requires Oracle staff access to resolve the issue. The process and technical controls that govern when and how Oracle staff can access the customer VM depend on if the exception occurred before the customer could access the customer VM, or after the customer accessed the customer VM.

### Case 1: Service exception before customer could log into customer VM

If a customer service has an exception prior to the customer accessing the service, the customer can authorize Oracle staff to access the customer service by responding “yes” to Oracle’s ask for access in the Service Request (SR) related to the service exception. The use cases for this method include failure for a VM to be created by cloud automation.

Oracle staff will ask for authorization in an existing SR by entering the following information:

- As per the security policy associated with ExaCC service, Oracle personnel are prohibited to access customer DomU without customer’s explicit permission. For Oracle to comply with this policy, Oracle staff must - get customer permission to access DomU<sup>117</sup> by asking the following question.
- “In order for us to resolve the issue described in this SR, we need customer’s explicit permission allowing us to login to customer DomU. By giving us explicit permission to access DomU, you are confirming that there is no confidential data that is stored in customer DomU or associated databases and customer security team is authorizing Oracle to have access to customer DomU in order for Oracle to help fix this issue. Do I have your explicit permission to access DomU?”

If the customer responds “yes” in the SR, then Oracle process and security controls will be temporarily adjusted to permit Oracle staff access to the customer VM. Oracle staff access to the customer VM will be authorized until the SR is closed or the customer directs Oracle to cease access in the SR.

### Case 2: Service exception after customer could log into customer VM

If a customer service has an exception after to the customer accesses the service, the customer can authorize Oracle staff to access the customer service by opening a new SR to authorize access.

The use cases for this method include the following:

- Errors that cause a VM to fail to boot
- Errors that cause customer ssh to VM to fail or lost customer credentials
- Other support error conditions

For the customer to authorize Oracle to access the customer VM, the customer must open a new SR with the following language:

- If a customer is willing to permit Oracle Cloud Ops to access the customer VM without direct customer supervision, then the customer opens a Service Request (SR) with the following language:
  - SR Title:
    - ◆ SR granting Oracle explicit permission to access a Guest VM of ExaCC with VM Name <insert VM Name as listed under the DB Server detail page→ Resources→ Virtual Machines>
  - SR Content:
    - ◆ We are opening this SR to grant explicit permission to Oracle to access our Guest VM in order for support to help resolve the issue described in SR# 1-xxxxxxx. We acknowledge that by providing this permission, we understand that Oracle will have access to all files and memory that are part of the Guest VM. In addition, we also agree that the customer security team has authorized Oracle to have access to the customer Guest VM in order to resolve the issue described in the above SR.

---

<sup>116</sup> <https://www.nist.gov/publications/nist-special-publication-800-88-revision-1-guidelines-media-sanitization>

<sup>117</sup> DomU is an Oracle term for the customer VM deployed in the ExaDB-D service. This term is required as part of the process controls that govern Oracle staff access to the customer VM in the ExaDB-D service.

- ◆ DB Server OCID: <insert OCID of DB Server hosting the VM here>
- ◆ VM Name: <insert VM Name as listed under the DB Server detail page→ Resources→ Virtual Machines>
- If a customer requires Oracle to offer a shared screen to permit direct customer supervision of the Oracle cloud ops access, the customer opens a Service Request (SR) with the following language
  - SR Title:
    - ◆ SR granting Oracle explicit permission to access a Guest VM of ExaCC with VM Name <insert VM Name as listed under the DB Server detail page→ Resources→ Virtual Machines>
  - SR Content:
    - ◆ We are opening this SR to grant explicit permission to Oracle to access our Guest VM in a shared screen session in order for support to help resolve the issue described in SR# 1-xxxxxxx. We acknowledge that by providing this permission, we understand that Oracle will have access to all files and memory that are part of the Guest VM. This permission to access our VM is contingent on our representative being able to monitor in real-time via a screen-sharing session all activities performed by Oracle. In addition, we also agree that the customer security team has authorized Oracle to have access to the customer Guest VM via this shared screen session in order to resolve the issue described in the above SR.
    - ◆ DB Server OCID: <insert OCID of DB Server hosting the VM here>
    - ◆ VM Name: <insert VM Name as listed under the DB Server detail page→ Resources→ Virtual Machines>

After the customer creates the new SR and Oracle receives the new SR, then Oracle process and security controls will be adjusted to permit Oracle staff to access the customer VM.

## ORACLE DATABASE@AZURE

Oracle Database@Azure (OD@Azure) is an Oracle Cloud Database service that runs Oracle Database workloads in an Azure environment. All hardware for Oracle OD@Azure is physically located in an Azure data centers and connected via Azure networking. The service benefits from the simplicity, security, and low latency of a single operating environment within Azure. Federated identity and access management for OD@Azure is provided by Microsoft Entra ID.<sup>118</sup>

Oracle Database Service for Azure reduces the complexity of connecting your clouds, networks, identities, and data by

- Automatically creating the network implementation between the cloud environments (over Oracle Interconnect for Microsoft Azure)
- Managing Domain Name System (DNS) settings so OD@Azure provisioned resources are available to Azure applications using standard Azure connection strings
- Delivering an administration portal that looks and feels like the Azure portal, removing the need for Azure administrators and developers to learn another tool/platform
- Streaming database metrics and events to Azure so administrators and developers can view them alongside information from other applications
- Delivering a single support path for customers

## Roles and Responsibilities for OD@Azure

Table 2 describes the roles and responsibilities for Oracle, Azure, and customer staff at supporting and operating the OD@Azure service.

Table 2: Roles and Responsibilities for OD@Azure service

Work Function	Oracle Managed Infrastructure Responsibility	Azure Managed Infrastructure Responsibility	Customer Managed Services Responsibility
Monitoring	Infrastructure, Control Plane, Hardware Faults, Availability, Capacity	Infrastructure availability to support customer monitoring of customer service	Monitoring of Customer OS, Databases, Apps

<sup>118</sup> <https://docs.oracle.com/en-us/iaas/Content/multicloud/oaa.htm>

Work Function	Oracle Managed Infrastructure Responsibility	Azure Managed Infrastructure Responsibility	Customer Managed Services Responsibility
<b>Incident Management &amp; Response</b>	Incident Management and Remediation  Spare Parts and Field Dispatch	Onsite Diagnostic Assistance (e.g., network troubleshooting, power, cooling)	Incident Management and resolution for Customer's Apps
<b>Patch Management</b>	Proactive patching of Hardware, IaaS/PaaS control stack, Staging of available patches (e.g., Oracle DB patch set)		Patching of tenant instances
<b>Backup &amp; Restoration</b>	Infrastructure and Control Plane Backup and recovery	Onsite Diagnostic Assistance (e.g., network troubleshooting, power, cooling)	Snapshots/Backup & Recovery of customer resources using Oracle native backups or 3 <sup>rd</sup> party solutions.
<b>Cloud Support</b>	Response and Resolution	Response & Resolution	Submit SRs via Support Portal

## OD@Azure Architecture

The OD@Azure service is deployed across Exadata Database Server and Storage Server racks in an Azure data center of the customer's choice. The ODB@A racks contain all the components of a standard Exadata Database Machine, plus networking hardware. The physical Exadata rack and networking infrastructure may be shared among multiple tenants (customers). The Exadata Database Servers and Exadata Storage Servers are dedicated to a single tenant (customer). Figure 4 shows an overview diagram of the OD@Azure service.

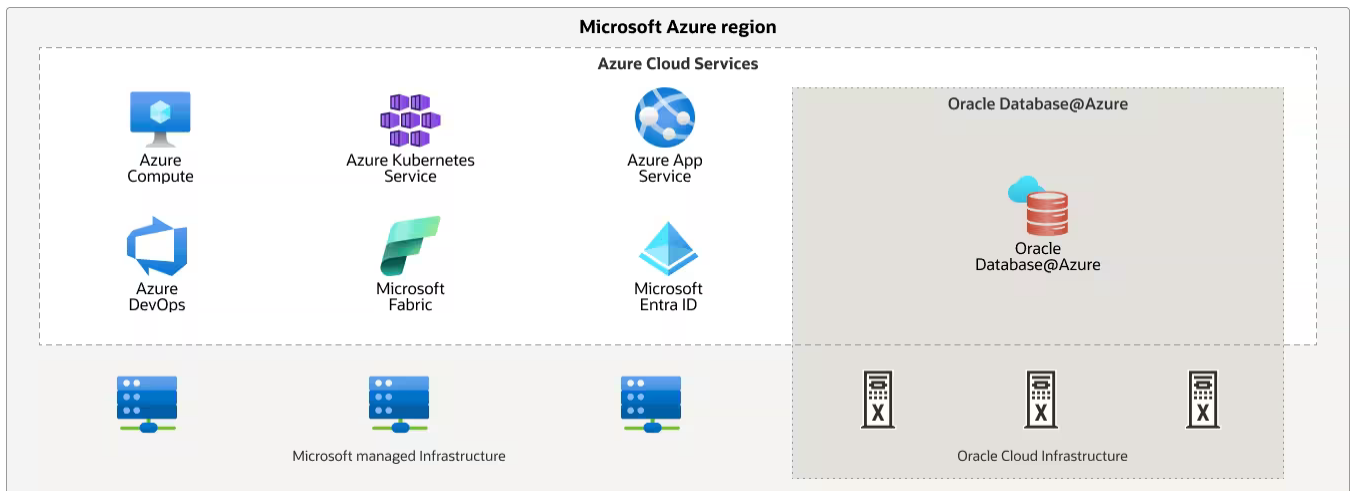


Figure 4: OD@Azure overview

Customers deploy and manage OD@Azure and database services using the Azure Console, Oracle Cloud Infrastructure Console and REST APIs. The customer controls access to the cloud automation's management functionality via the Azure Entra ID and OCI Identity and Access Management (IAM) services, and the Azure Audit and OCI Audit services provides the customer with a record of all customer-initiated management actions invoked via the Azure/OCI Console or Azure/OCI REST endpoints, such as creating or deleting databases. The customer controls network access to the ExaDB- D customer VM and database services running on the OD@Azure service via Azure Virtual Networks and OCI Virtual Cloud Networks. Microsoft and Oracle control network access to the OD@Azure infrastructure for cloud automation and operator shell access. All software updates, security patches, and deployments to OCI are performed the same way as any other OCI region, including the security and operational controls.

An OCI region contains one or three availability domains.<sup>119</sup> Each availability domain can have one or more data center sites with child DC sites acting as an extension of the OCI availability domain fabric. OCI child sites inside Azure data centers and are connected to the OCI region that's closest in terms of physical distance and network distance, as described in Figure 5.

OD@Azure stacks and their key dependencies are entirely hosted in the OCI child sites inside the Azure data centers with the same underlying infrastructure as OCI, offering the same physical network stack, Gen 2 Virtual Network service, off-box virtualization, and RDMA cluster network to power Oracle Exadata Database Service and the Oracle Autonomous Database. Figure 6 shows the OD@Azure architecture. Control plane connectivity for the OD@Azure service is implemented with a direct private network link between the OCI child site in the Azure data center and the Azure network in the same data center.

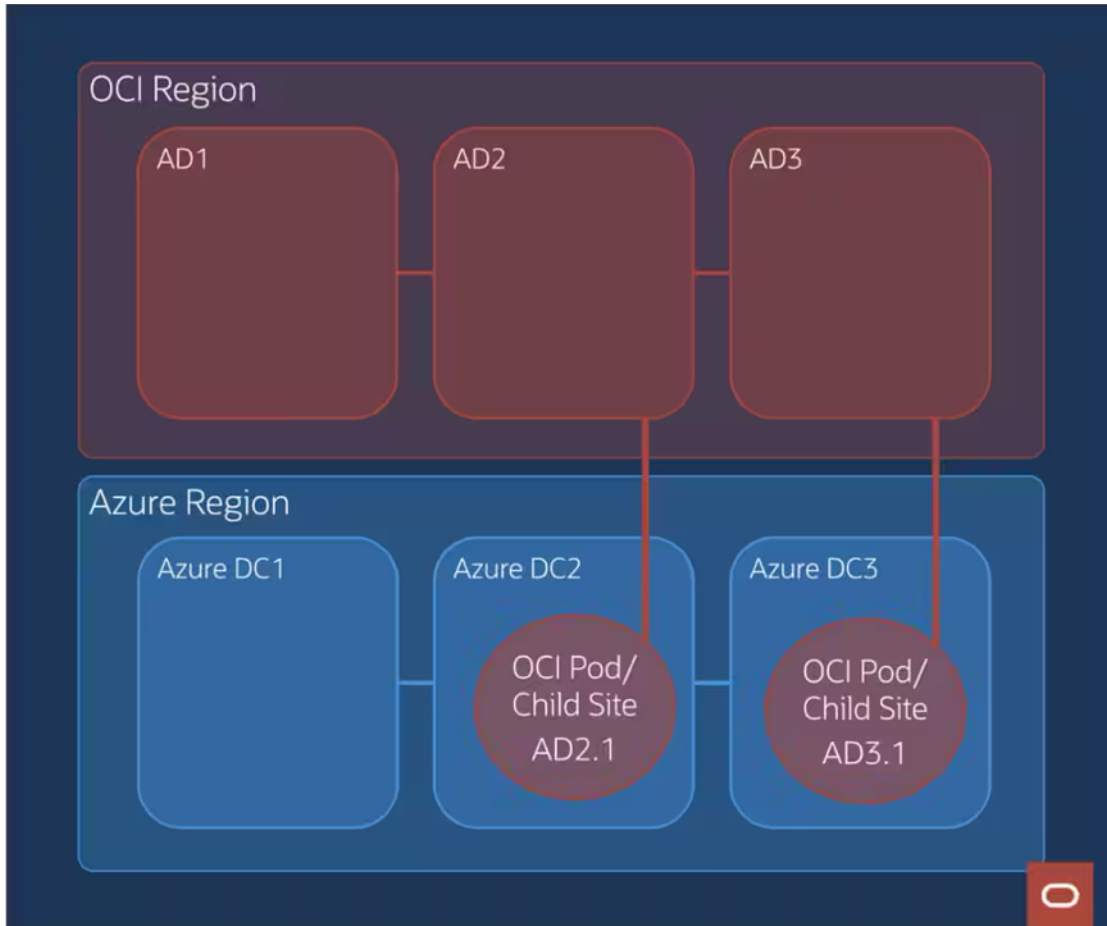


Figure 5: OD@Azure availability domains

<sup>119</sup> <http://docs.oracle.com/en-us/iaas/Content/General/Concepts/regions.htm>

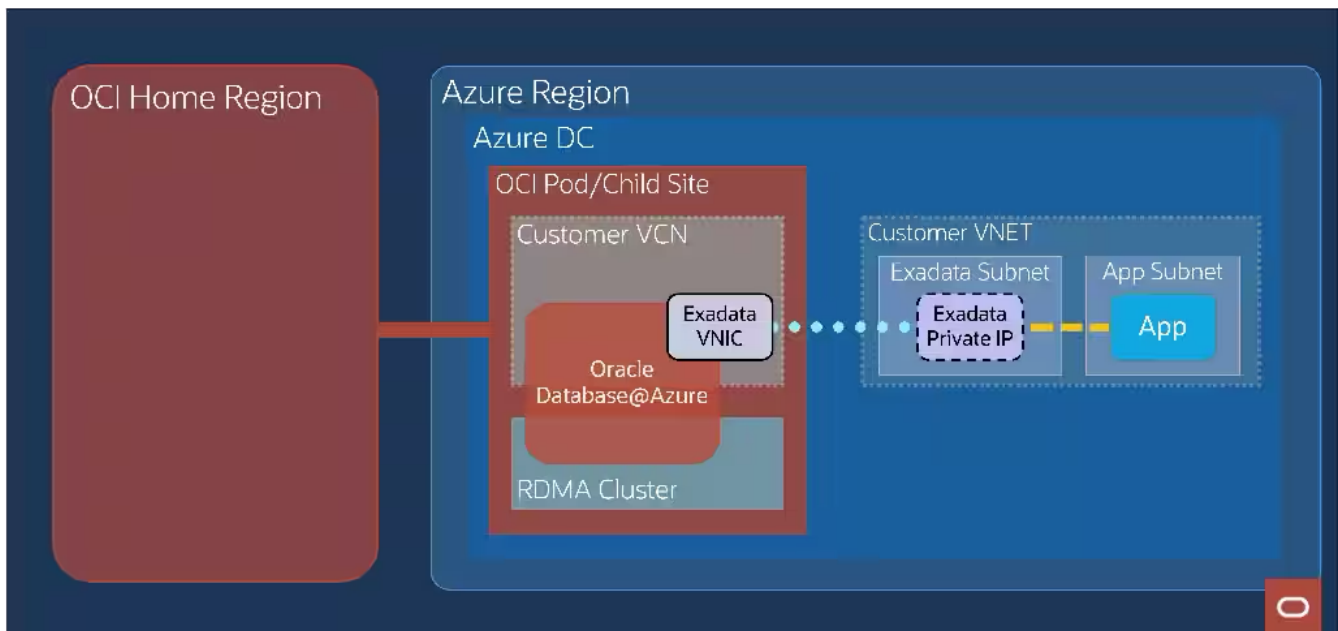


Figure 6: OD@Azure architecture diagram

## IP Address and Routing Control for OD@Azure

The OD@Azure database cluster is created in a subnet in an Azure virtual network (VNET). The cloud automation software creates a backend OCI virtual cloud network (VCN) for the ExaDB-D service with an equivalent subnet using the same IP CIDR range as the subnet in Azure VNET. The database cluster runs in the OCI subnet and using virtual network interface cards (VNICs) within the OCI subnet with necessary private IP assignments. The private IP addresses are reserved on the subnet in Azure VNET. A virtual mapping is created between the private IP in the customer VNET and the VNIC in the backend VCN through direct Azure-OCI connectivity within the Azure datacenter. Figure 7 shows the networking implementation for OD@Azure in a single availability zone, and Figure 8 shows the networking implementation in multiple availability zones.

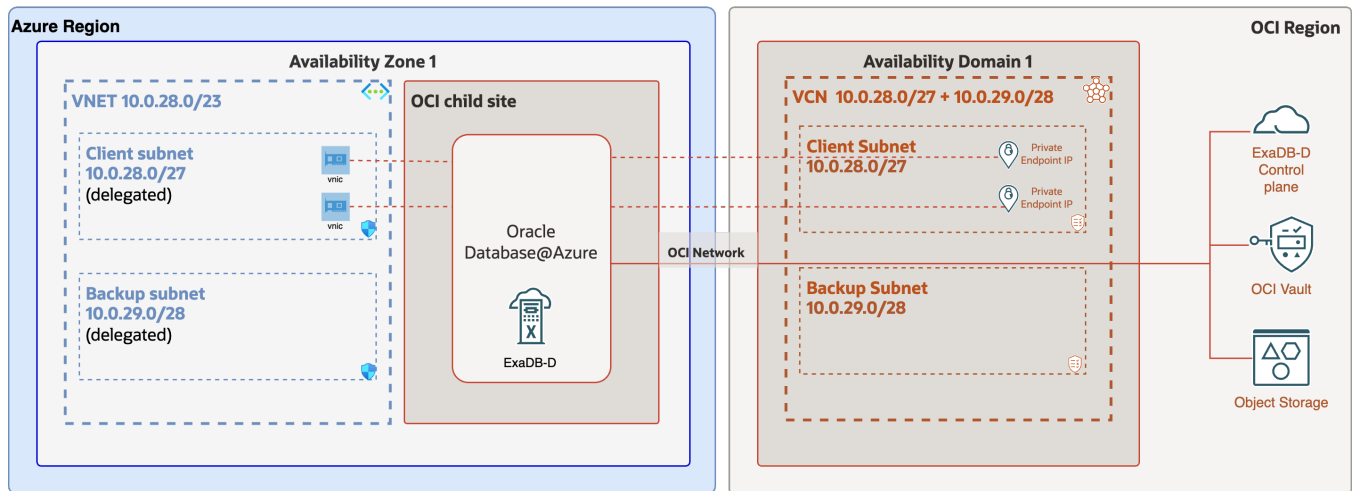


Figure 7: OD@Azure networking, single availability zone



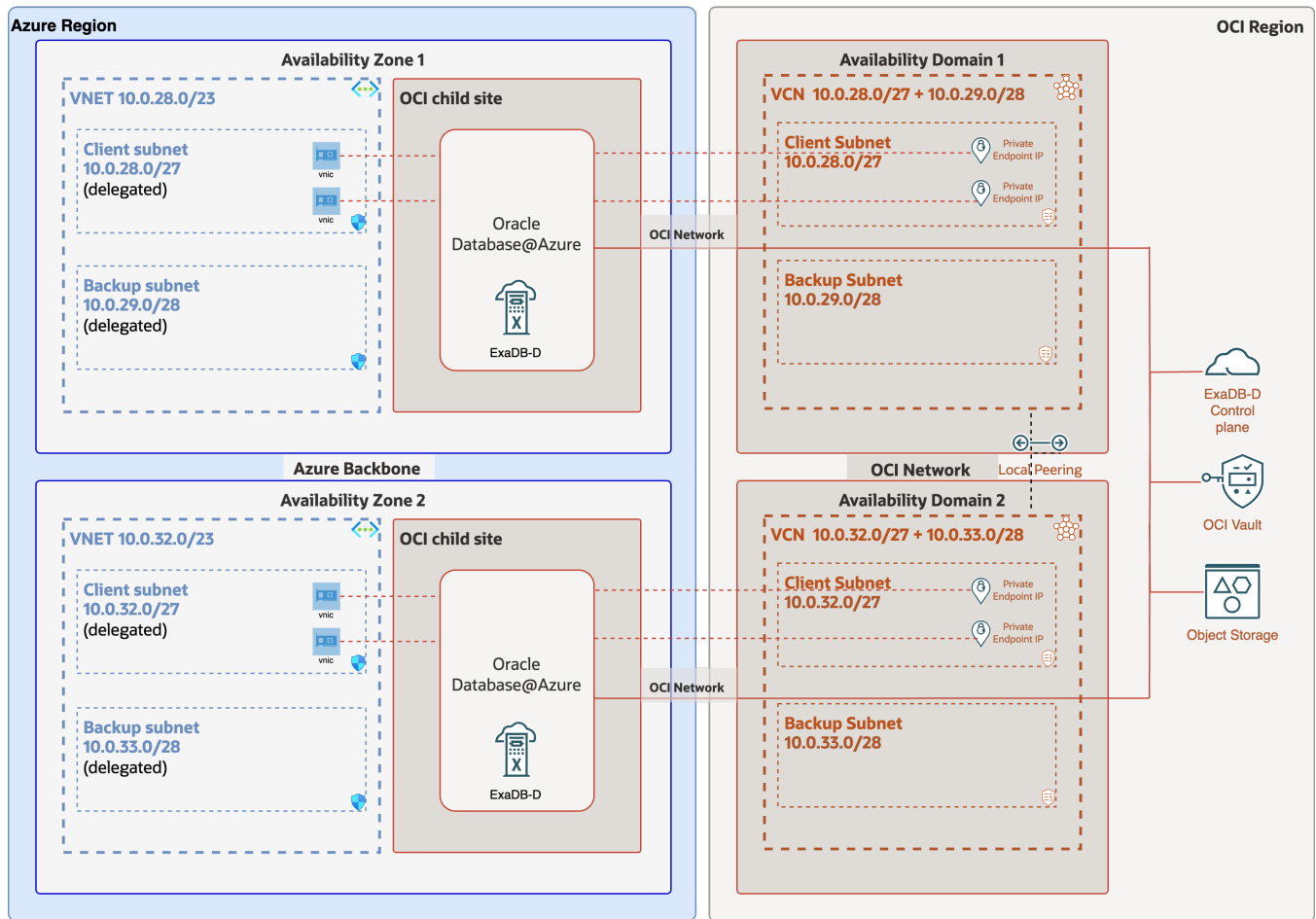


Figure 8: OD@Azure networking, multiple availability zones

When an application or user in Azure VNET connects to a database using the assigned private IP address, the Azure virtual networking service routes the packets through the direct private network connectivity to the edge gateway located inside the child site. The OCI virtual networking service routes the packets from the edge gateway to the servers hosting the Oracle Database instance. The direct private network link prevents the application, user, and database network traffic from leaving Azure data center.

## Customer Access to OD@Azure Service

Customers access Oracle databases (DB) running on OD@Azure via an Azure VNET connection from customer endpoints to the databases running in the customer VM using standard Oracle database connection methods, such as SQLNet on TCP port 1521. Customer's access the VM running the Oracle databases via standard Oracle Linux methods, such as token based SSH on TCP port 22.

Customers may optionally access database services from applications running in OCI VCNs and customers may use OCI services that are integrated with the ExaDB-D service, such as Data Safe,<sup>120</sup> Vault,<sup>121</sup> Oracle Database Autonomous Recovery Service,<sup>122</sup> and customer-developed services within OCI.

<sup>120</sup> <https://docs.oracle.com/en-us/iaas/data-safe/index.html>

<sup>121</sup> <https://docs.oracle.com/en-us/iaas/Content/KeyManagement/home.htm>

<sup>122</sup> <https://docs.oracle.com/en-us/iaas/recovery-service/doc/about-recovery-service.html>

## Customer Access to Azure Interfaces

Customers use the Azure console to create the Exadata infrastructure and Exadata VM Cluster resources. Following, customers use OCI interfaces to create an Exadata database instance. The Azure console invokes the Azure Resource Manager which routes the API call to ODB@A Resource Provider. The resource provider performs the appropriate translation, AuthZ and AuthN, and invokes the Exadata Database control plane, which is responsible for creating and managing the Exadata Database instance. To make the customer experience seamless, a federation is enabled between the Microsoft Entra ID and OCI Identity and Access Management (IAM) service. This integration allows you to continue using Microsoft Entra ID for identity management. When you invoke API calls on your ODB@A resources, the corresponding downstream OCI API calls uses the federated identity for authentication purposes. Figure 9 shows the integration of Azure interfaces calling OCI APIs to manage the OD@Azure service.

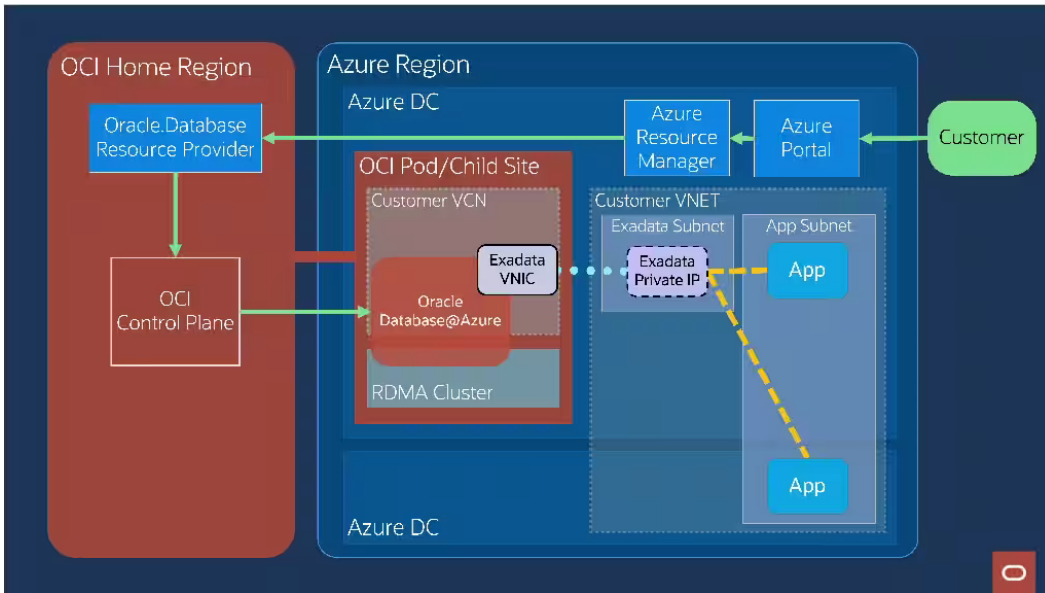


Figure 9: Customer access to Azure interfaces

## SUMMARY

With Exadata Database Service on Dedicated Infrastructure, security features throughout the customer VM and customer database are controlled by the customer. Oracle database encryption features encrypt data, and the customer retains control of the encryption keys. Oracle database security features control authentication and access to data in the database, and the customer retains control of this authentication and access. Oracle Linux authentication features control access to the customer's VM, and the customer retains control of this authentication and access.

Security and auditing features throughout the Oracle-managed components of Exadata Database Service on Dedicated Infrastructure help to prevent unauthorized actions on the infrastructure components of ExaDB-D. Security measures include multi-factor named user authentication and strong authentication with and FIPS 140-2 level 3 compliant token-based ssh access to Oracle-managed infrastructure components. Auditing and logging are implemented throughout the stack, and applicable audit logs are available to customers at their request via the Oracle Service Request (SR) process.

Exadata Database Service on Dedicated Infrastructure delivers the benefit of a high-security on-premises deployment with the ease-of-use and economics of the cloud. Customers and Oracle Cloud Operations work together to implement system security and help prevent unauthorized access to and theft of customer data. Oracle Cloud Operations staff does not access customer networks, services, or data to deliver the service, and customers do not access Oracle-managed infrastructure to consume the service. In the Exadata Database Service on Dedicated Infrastructure deployment model, customers gain the security of an on-premises deployment with the benefits of cloud economics, agility, and scale.

## CONNECT WITH US

Call +1.800.ORACLE1 or visit [oracle.com](https://www.oracle.com).  
Outside North America, find your local office at [oracle.com/contact](https://www.oracle.com/contact).

 [blogs.oracle.com](https://blogs.oracle.com)

 [facebook.com/oracle](https://www.facebook.com/oracle)

 [twitter.com/oracle](https://twitter.com/oracle)

Copyright © 2024, Oracle and/or its affiliates. All rights reserved. This document is provided for information purposes only, and the contents hereof are subject to change without notice. This document is not warranted to be error-free, nor subject to any other warranties or conditions, whether expressed orally or implied in law, including implied warranties and conditions of merchantability or fitness for a particular purpose. We specifically disclaim any liability with respect to this document, and no contractual obligations are formed either directly or indirectly by this document. This document may not be reproduced or transmitted in any form or by any means, electronic or mechanical, for any purpose, without our prior written permission.

Oracle and Java are registered trademarks of Oracle and/or its affiliates. Other names may be trademarks of their respective owners.

Intel and Intel Xeon are trademarks or registered trademarks of Intel Corporation. All SPARC trademarks are used under license and are trademarks or registered trademarks of SPARC International, Inc. AMD, Opteron, the AMD logo, and the AMD Opteron logo are trademarks or registered trademarks of Advanced Micro Devices. UNIX is a registered trademark of The Open Group. 0120

Exadata Database Service on Dedicated Infrastructure  
Security Controls

