

Thomson Reuters

ONESOURCE Determination Integration with Oracle E-Business Suite 12.2

Automate VAT, GST, and sales and use tax decisions with Thomson Reuters intelligent tax determination engine, ONESOURCE Determination. ONESOURCE Determination is a global, scalable, and secure cloud-based indirect tax solution for companies of any industry and size.*

COMPANY OVERVIEW

Thomson Reuters ONESOURCE tax software helps you stay up to date with corporate tax compliance amid regularly changing state, federal, and international tax laws and regulations. Boost collaboration with departments and partners and ensure seamless corporate tax and trade compliance, no matter where your company does business.

INTEGRATION OVERVIEW

Companies using Oracle Order Management/Oracle Receivables and Oracle Purchasing/Oracle Payables integrated with ONESOURCE Determination can obtain accurate sales and use tax results, along with a complete audit and compliance database for generating standard and custom reports as well as returns. This is enabled by the integration between ONESOURCE Determination and Oracle E-Business Suite. ONESOURCE Determination's automated tax determination and calculation provide corporate tax departments with the means to significantly improve transaction tax accuracy and reduce compliance costs.

The integration was built by a team of experts in compliance with Oracle's third-party independent software vendor (ISV) development guidelines. It employs standard Oracle integration techniques to enable the determination and calculation of taxes in the order-to-cash and procure-to-pay business processes. In both these areas, the integration between ONESOURCE Determination and Oracle E-Business Suite offers enhanced flexibility that enables the passing of additional customer-specific data elements that can be critical for the accurate determination of usage and taxability within ONESOURCE Determination.

Advanced features include:

- Automation of the Oracle E-Business Tax setup process, making implementation and deployment easier, faster, and less error-prone.
- Robust vendor-charged tax and accrual functionality for procure-to-pay process flows, including tax determination and calculation on purchase orders, validation of vendor-charged tax on accounts payable invoices, and accrual for sales tax.
- Eliminates the need to store and maintain tax rates within Oracle E-Business Suite because tax rules, rates, and logic are maintained within ONESOURCE Determination.

** The scope of the Oracle Validated Integration for tax partner solutions is for United States sales and use tax only.*



**THOMSON
REUTERS®**

2395 Midway Road
Carrollton, TX 75006
Tel.: +1.888.885.0206

tax.tr.com/determination

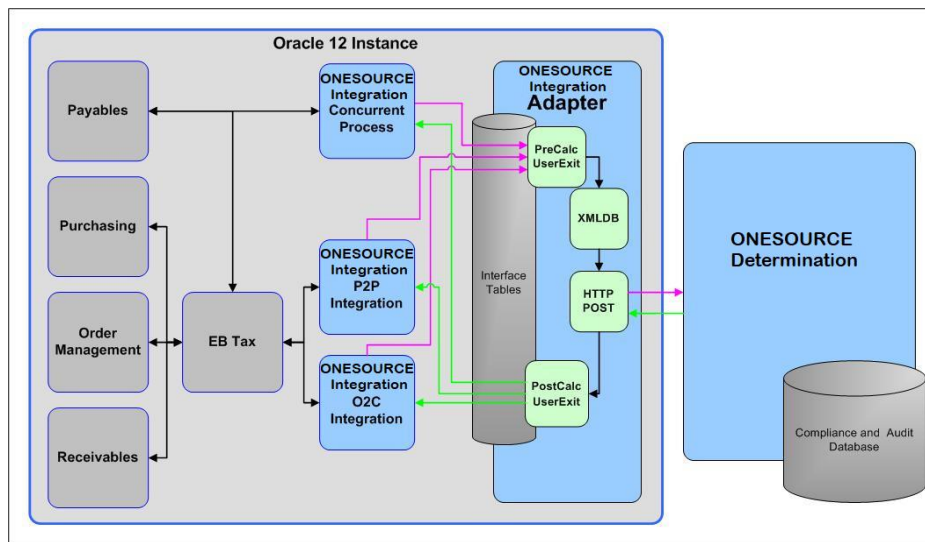
ORACLE Validated Integration Oracle E-Business Suite

Oracle Validated Integration provides customers with confidence that a partner's integration with an on-premises Oracle application is functionally sound and performs as designed. This can help customers reduce deployment risk, lower total cost of ownership, and improve the user experience related to the partner's integrated offering.

INTEGRATION DETAILS

The ONESOURCE Determination integration for Oracle E-Business Suite is validated with Oracle Order Management, Oracle Receivables, Oracle Purchasing, and Oracle Payables. When these applications encounter a business process that requires tax, all such calls are routed to the ONESOURCE Determination integration for Oracle E-Business Suite that is installed within Oracle E-Business Suite.

This solution utilizes the standard Oracle E-Business Tax framework and APIs designed for third-party tax providers. It receives tax-relevant data via a set of PL/SQL packages that map and create an HTTP(S) request to be sent via Oracle E-Business Tax-provided functions to ONESOURCE Determination in XML format. Requests to ONESOURCE Determination are processed and appropriate tax results are returned via HTTP(S) and mapped to the Oracle E-Business Tax APIs. By leveraging the standard Oracle E-Business Tax APIs, the integration between ONESOURCE Determination Integration and Oracle E-Business Suite provides end-to-end integration for automating tax determination and calculation.



ONESOURCE Determination Integration for Oracle E-Business Suite Release 12.2 system architecture

TECHNICAL DETAILS	
Partner Environment	Oracle Environment
<ul style="list-style-type: none"> ONESOURCE Determination Release 5.6.2.1 Oracle Database 19c 	<ul style="list-style-type: none"> Oracle E-Business Suite 12.2.9 Oracle Order Management, Oracle Receivables, Oracle Purchasing, and Oracle Payables Oracle Database 19c Oracle WebLogic Server 11g Release 1

AVAILABILITY

Headquarters

2395 Midway Road
Carrollton, TX 75006
United States of America
Tel.: +1.888.885.0206
tax.tr.com/determination

Europe

5 Canada Square
Canary Wharf
London E14 5AQ
United Kingdom
Tel: +44 20 3197 3000
tax.thomsonreuters.co.uk/onesource

Asia

18 Science Park Drive
118 229
Singapore
Tel: +65 6403 5557
tax.thomsonreuters.com/sg/en/onesource

Latin America - Mexico

Bldv. Manuel Ávila Camacho 36, Piso 19 -
Lomas de Chapultepec
Mexico City - Distrito Federal 11000
Mexico
Tel: +52 55 8874 7000
www.thomsonreutersmexico.com/es-mx/soluciones-fiscales

Latin America - Brazil

Av. Doutor Cardoso de Melo 1855
Vila Olimpia
Sao Paulo 04548-000
Brazil
Tel: +55 11 5047 3333
www.thomsonreuters.com.br/pt/tax-accounting

SUPPORT

Tel.: +1.888.885.0206
tax.thomsonreuters.com/en/onesource/support.com

ORACLE
Validated Integration
Oracle Applications

Copyright © 2021, Oracle and/or its affiliates. All rights reserved. This document is provided for information purposes only, and the contents hereof are subject to change without notice. This document is not warranted to be error-free, nor subject to any other warranties or conditions, whether expressed orally or implied in law, including implied warranties and conditions of merchantability or fitness for a particular purpose. We specifically disclaim any liability with respect to this document, and no contractual obligations are formed either directly or indirectly by this document. This document may not be reproduced or transmitted in any form or by any means, electronic or mechanical, for any purpose, without our prior written permission.

Oracle and Java are registered trademarks of Oracle and/or its affiliates. Other names may be trademarks of their respective owners. 1021

