



FIPS 140-2 Non-Proprietary Security Policy

Oracle Linux 7 OpenSSH Client Cryptographic Module

FIPS 140-2 Level 1 Validation

Software Version: R7-2.0.0

Date: September 28, 2017



Title: Oracle Linux 7 OpenSSL Client Cryptographic Module Security Policy

September 28, 2017

Author: atsec Information Security

Contributing Authors:

Oracle Linux Engineering

Oracle Security Evaluations – Global Product Security

Oracle Corporation

World Headquarters

500 Oracle Parkway

Redwood Shores, CA 94065

U.S.A.

Worldwide Inquiries:

Phone: +1.650.506.7000

Fax: +1.650.506.7200

oracle.com



Copyright © 2017, Oracle and/or its affiliates. All rights reserved. This document is provided for information purposes only and the contents hereof are subject to change without notice. This document is not warranted to be error-free, nor subject to any other warranties or conditions, whether expressed orally or implied in law, including implied warranties and conditions of merchantability or fitness for a particular purpose. Oracle specifically disclaim any liability with respect to this document and no contractual obligations are formed either directly or indirectly by this document. This document may reproduced or distributed whole and intact including this copyright notice.

Oracle and Java are registered trademarks of Oracle and/or its affiliates. Other names may be trademarks of their respective owners.

Hardware and Software, Engineered to Work Together



TABLE OF CONTENTS

Section	Title	Page
1.	Introduction	1
1.1	Overview	1
1.2	Document Organization	1
2.	Oracle Linux 7 OpenSSH Client Cryptographic Module	2
2.1	Functional Overview	2
2.2	FIPS 140-2 Validation Scope	2
3.	Cryptographic Module Specification	3
3.1	Definition of the Cryptographic Module	3
3.2	Definition of the Physical Cryptographic Boundary	4
3.3	Modes of Operation	4
3.4	Approved Security Functions from OpenSSH module	5
3.5	Approved or Allowed Security Functions from OpenSSL Module	5
3.6	Non-Approved Security Functions from OpenSSH Module	5
3.7	Non-Approved Security Functions from OpenSSL Module	6
4.	Module Ports and Interfaces	7
5.	Physical Security	8
6.	Operational Environment	9
6.1	Tested Environments	9
6.2	Vendor Affirmed Environments	9
6.3	Operational Environment Policy	12
7.	Roles, Services and Authentication	13
7.1	Roles	13
7.2	FIPS Approved Services and Descriptions	13
7.3	Non FIPS Approved Services and Descriptions	14
7.4	Operator Authentication	14
8.	Key and CSP Management	15
8.1	Random Number and Key Generation	15
8.2	Key/CSP Storage	15
8.3	Key/CSP Zeroization	15
9.	Self-Tests	16
9.1	Power-Up Self-Tests	16
9.1.1	Integrity Tests	16
9.1.2	Cryptographic Algorithm Tests	16
9.2	On-Demand self-tests	16
10.	Crypto-Officer and User Guidance	17
10.1	Crypto-Officer Guidance	17
10.1.1	OpenSSH Client Configuration	17
10.2	User Guidance	18
10.2.1	Handling Self-Test Errors	18
11.	Mitigation of Other Attacks	19
	Acronyms, Terms and Abbreviations	20
	References	21

List of Tables

Table 1: FIPS 140-2 Security Requirements	2
Table 2: FIPS Approved Security Functions from OpenSSH Module	5
Table 3: Approved or Allowed Security Functions from OpenSSL Module	5
Table 4: Non-Approved Functions from OpenSSH Module	5
Table 5: Non-Approved Functions from OpenSSL Module	6
Table 6: Mapping of FIPS 140 Logical Interfaces	7
Table 7: Tested Operating Environment	9
Table 8: Vendor Affirmed Operating Environment	12
Table 9: FIPS Approved Services and Descriptions.....	13
Table 10: Non FIPS Approved Services and Descriptions	14
Table 11: CSP Table	15
Table 12: Acronyms.....	20
Table 13: References	21

List of Figures

Figure 1: Oracle Linux 7 OpenSSH Logical Cryptographic Boundary	4
Figure 2: Oracle Linux 7 OpenSSH Client Hardware Block Diagram	4



1. Introduction

1.1 Overview

This document is the Security Policy for the Oracle Linux 7 OpenSSH Client Cryptographic Module by Oracle Corporation. Oracle Linux 7 OpenSSH Client Cryptographic Module is also referred to as “the Module” or “Module”. This Security Policy specifies the security rules under which the module shall operate to meet the requirements of FIPS 140-2 Level 1. It also describes how the Oracle Linux 7 OpenSSH Client Cryptographic Module functions in order to meet the FIPS 140-2 requirements, and the actions that operators must take to maintain the security of the module.

This Security Policy describes the features and design of the Oracle Linux 7 OpenSSH Client Cryptographic Module using the terminology contained in the FIPS 140-2 specification. FIPS 140-2, Security Requirements for Cryptographic Module specifies the security requirements that will be satisfied by a cryptographic module utilized within a security system protecting sensitive but unclassified information. The NIST/CSE Cryptographic Module Validation Program (CMVP) validates cryptographic module to FIPS 140-2. Validated products are accepted by the Federal agencies of both the USA and Canada for the protection of sensitive or designated information.

1.2 Document Organization

The FIPS 140-2 submission package contains:

- Oracle Linux 7 OpenSSH Client Cryptographic Module Non-Proprietary Security Policy
- Other supporting documentation as additional references

With the exception of this Non-Proprietary Security Policy, the FIPS 140-2 Validation Documentation is proprietary to Oracle and is releasable only under appropriate non-disclosure agreements. For access to these documents, please contact Oracle.

2. Oracle Linux 7 OpenSSH Client Cryptographic Module

2.1 Functional Overview

The Oracle Linux 7 OpenSSH Client Cryptographic Module is a software module implementing the cryptographic support for the SSH protocol in the Oracle Linux user space.

The Oracle Linux 7 OpenSSH Client Cryptographic Module is distributed with Oracle Linux open-source distributions. The Module implements SSH protocol and acts as a client providing SSH service.

2.2 FIPS 140-2 Validation Scope

The following table shows the security level for each of the eleven sections of the validation.

Security Requirements Section	Level
Cryptographic Module Specification	1
Cryptographic Module Ports and Interfaces	1
Roles and Services and Authentication	1
Finite State Machine Model	1
Physical Security	N/A
Operational Environment	1
Cryptographic Key Management	1
EMI/EMC	1
Self-Tests	1
Design Assurance	3
Mitigation of Other Attacks	N/A

Table 1: FIPS 140-2 Security Requirements

3. Cryptographic Module Specification

3.1 Definition of the Cryptographic Module

The Oracle Linux 7 OpenSSH Client Cryptographic Module is defined as software-only multi-chip standalone module as defined by the requirements within FIPS PUB 140-2. The logical cryptographic boundary of the module consists of application, library file and their integrity check HMAC files, which are delivered through the Oracle Linux Yum Server as listed below.

The module will use the Oracle Linux OpenSSL Cryptographic Module (FIPS 140-2 Certificate # 3017) as a bound module which provides the underlying cryptographic algorithms necessary for establishing and maintaining the SSH session. In addition the integrity check uses the cryptographic services provided by the Oracle Linux OpenSSL Cryptographic Module as used by the utility application of fipscheck using the HMAC-SHA-256 algorithm.

This requires a copy of a Cert. #3017 validated version of the Oracle Linux OpenSSL Cryptographic Module to be installed on the system for the current module to operate.

The cryptographic Module combines a vertical stack of Oracle Linux components intended to limit the external interface each separate component may provide. The following software needs to be installed for the module to operate:

- Oracle Linux 7 OpenSSH Client Cryptographic Module with the version of the OpenSSH Client RPM file `openssh-6.6.1p1-35.el7_3.x86_64`
- The bound module of OpenSSL with FIPS 140-2 Certificate #3017
- The contents of the fipscheck RPM package `fipscheck-1.4.1-5.el7.x86_64`
- The contents of the fipscheck-lib RPM package (version `1.4.1-5.el7.x86_64`).

The OpenSSH Client RPM package of the Module includes the binary files, integrity check HMAC files and Man Pages. Any application other than the OpenSSH Client application delivered with the aforementioned OpenSSH RPM package is not part of the Module. The FIPS certificate for this module will not be valid if any other application than the OpenSSH Client application is used.

The files comprising the module are the following:

- `/usr/sbin/ssh`
- `/usr/bin/fipscheck`
- `/usr/lib64/fipscheck/ssh.hmac`
- `/usr/lib64/fipscheck/fipscheck.hmac`
- `/usr/lib64/fipscheck/libfipscheck.so.1.2.1.hmac`
- `/usr/lib64/libfipscheck.so.1.2.1`

Figure 1 shows the logical block diagram of the module executing in memory on the host system.

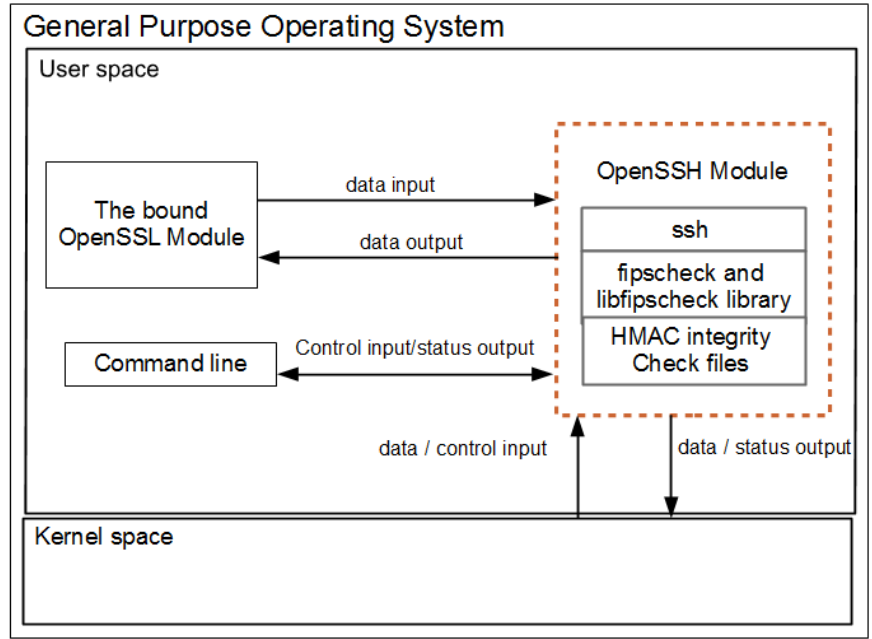


Figure 1: Oracle Linux 7 OpenSSH Logical Cryptographic Boundary

3.2 Definition of the Physical Cryptographic Boundary

The physical cryptographic boundary is defined as the hard enclosure of the host system on which it runs. See Figure 2 below. No components are excluded from the requirements of FIPS PUB 140-2.

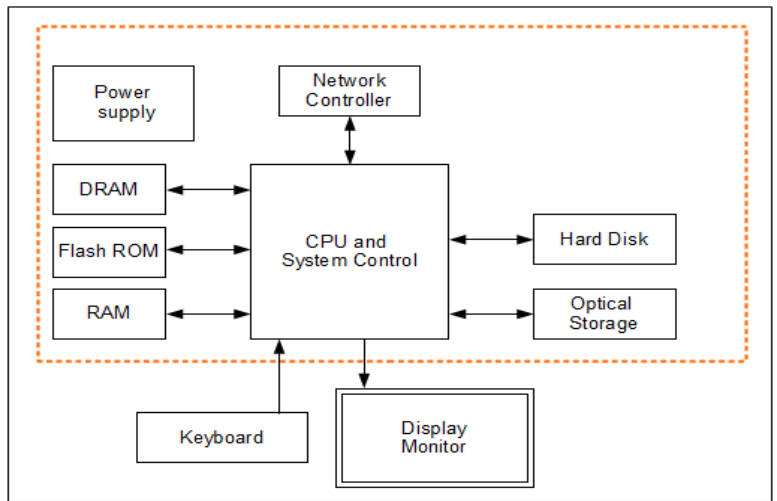


Figure 2: Oracle Linux 7 OpenSSH Client Hardware Block Diagram

3.3 Modes of Operation

The Module supports two modes of operation: FIPS approved and non-FIPS approved mode. The mode of operation is implicitly assumed depending on the services/security functions invoked. The Module turns to the FIPS approved mode after power-on self-tests succeed. The services available in FIPS mode can be found in section 7.2, Table 9.



3.4 Approved Security Functions from OpenSSH module

The Oracle Linux 7 OpenSSH Client Cryptographic Module contains the following FIPS Approved Algorithms:

Approved or Allowed Security Functions		Certificate
Key Derivation (NIST SP 800-135 Section 5.2 for SSH)	(SHA 1, 256, 384, 512)	CVL #1253

Table 2: FIPS Approved Security Functions from OpenSSH Module

Note: The SSH protocol except the SP 800-135 Key Derivation Function has not been reviewed or tested by the CAVP and CMVP.

The OpenSSH and the bound OpenSSL module together provide the Diffie Hellman and EC Diffie Hellman key agreement. The OpenSSH module only implements the KDF portion of the key agreement as stated in the above table and the bound OpenSSL module provides the shared secrete computation as stated in the below table.

- Diffie-Hellman (CVL Cert. #1217 with CVL cert. #1253, key agreement; key establishment methodology provides between 112 and 256 bits of encryption strength);
- EC Diffie-Hellman (CVL Cert. #1217 with CVL cert. #1253, key agreement; key establishment methodology provides between 112 and 256 bits of encryption strength);

3.5 Approved or Allowed Security Functions from OpenSSL Module

The following table shows Approved or allowed security functions provided by the bound OpenSSL module.

Algorithm	Certificate
AES	4534 , 4536 , 4538
Triple-DES	2415
HMAC	2992 , 2994 , 2996
Diffie Hellman all except KDF (shared secrete computation)	CVL 1217
EC Diffie-Hellman all except KDF (shared secrete computation)	CVL 1217
RSA	2469
DRBG	1491 , 1493 , 1495
SHA	3715 , 3717 , 3719
ECDSA	1105
NDRNG	Used for seeding NIST SP 800-90A DRBG.

Table 3: Approved or Allowed Security Functions from OpenSSL Module

3.6 Non-Approved Security Functions from OpenSSH Module

The use of following non-Approved security functions will put the module in non-Approved mode implicitly.

Algorithm	Usage
Ed25519	signature scheme based on Curve25519

Table 4: Non-Approved Functions from OpenSSH Module

3.7 Non-Approved Security Functions from OpenSSL Module

The use of following security functions will put the module in the non-Approved mode of operation implicitly.

Algorithm	Usage
RSA signature generation	Using keys less than 2048 bits
DSA signature generation	With key size 1024 bits

Table 5: Non-Approved Functions from OpenSSL Module

4. Module Ports and Interfaces

The module interfaces can be categorized as follows:

- Data Input Interface
- Data Output Interface
- Control Input interface
- Status Output Interface

As a software-only module, the module does not have physical ports. For the purpose of the FIPS 140-2 validation, the physical ports are interpreted to be the physical ports of the hardware platform on which the module runs. The Table below, shows the mapping of ports and interfaces as per FIPS 140-2 Standard.

FIPS 140 Interface	Physical Port	Module Interfaces
Data Input	Keyboard, Ethernet port	Input parameters and data of the ssh command on the command line with configuration file ~/.ssh/known_hosts, /etc/ssh/ssh_known_hosts, key files ~/.ssh/id_ecdsa*, ~/.ssh/id_rsa*, input data via SSHv2 channel, input data via local or remote port-forwarding port, input data from the bound OpenSSL module via its API parameters
Data Output	Display, Ethernet Port	Output data returned by the ssh command, output data sent via the SSHv2 channel, output data sent via local or remote port-forwarding port, output data sent to the bound OpenSSL module via its API parameters
Control Input	Keyboard, Ethernet port	Invocation of the ssh command on the command line or control input via /etc/ssh/ssh_config and ~/.ssh/config file, SSHv2 protocol message requests received from SSH server.
Status Output	Display, Ethernet Port	Status messages returned after the command execution, status of processing SSHv2 protocol message requests.
Power Input	PC power supply	N/A

Table 6: Mapping of FIPS 140 Logical Interfaces



5. Physical Security

The Module is comprised of software only and thus does not claim any physical security.

6. Operational Environment

The module operates in a modifiable operational environment per FIPS 140-2 Security Level 1 specifications. The module runs on a commercially available general-purpose operating system executing on the hardware specified in sections 6.1 and 6.2.

6.1 Tested Environments

The Module was tested on the following environments with and without PAA i.e. AES-NI:

Operating Environment	Processor	Hardware
Oracle Linux 7.3 64 bit	Intel® Xeon® CPU E5-2699 v4	Oracle Server X6-2

Table 7: Tested Operating Environment

6.2 Vendor Affirmed Environments

The following platforms have not been tested as part of the FIPS 140-2 level 1 certification however Oracle “vendor affirms” that these platforms are equivalent to the tested and validated platforms. Additionally, Oracle affirms that the module will function the same way and provide the same security services on any of the systems listed below.

Operating Environment	Processor	Hardware
Oracle Linux 7.3 64-bit	Intel® Xeon® E5-2600/E5-2600 v2	Cisco UCS B200 M3
Oracle Linux 7.3 64-bit	Intel® Xeon® E5-2600 v3 & v4	Cisco UCS B200 M4
Oracle Linux 7.3 64-bit	Intel® Xeon® E5-2400/E5-2400 v2	Cisco UCS B22 M3
Oracle Linux 7.3 64-bit	Intel® Xeon® E7-2800/E7-8800	Cisco UCS B230 M2
Oracle Linux 7.3 64-bit	Intel® Xeon® E7-2800/E7-8800 v3	Cisco UCS B260 M4
Oracle Linux 7.3 64-bit	Intel® Xeon® E5-4600/E5-4600 v2	Cisco UCS B420 M3
Oracle Linux 7.3 64-bit	Intel® Xeon® E5-4600 v3 & v4	Cisco UCS B420 M4
Oracle Linux 7.3 64-bit	Intel® Xeon® E7-2800/E7-8800	Cisco UCS B440 M2
Oracle Linux 7.3 64-bit	Intel® Xeon® E7-2800 v2/E7-4800 v2/E7-8800 v2/E7-4800 v3/E7-8800 v3	Cisco UCS B460 M4
Oracle Linux 7.3 64-bit	Intel® Xeon® E5-2400/E5-2400 v2	Cisco UCS C22 M3
Oracle Linux 7.3 64-bit	Intel® Xeon® E5-2600/E5-2600 v2	Cisco UCS C220 M3
Oracle Linux 7.3 64-bit	Intel® Xeon® E5-2600 v3 & v4	Cisco UCS C220 M4
Oracle Linux 7.3 64-bit	Intel® Xeon® E5-2400/E5-2400 v2	Cisco UCS C24 M3
Oracle Linux 7.3 64-bit	Intel® Xeon® E5-2600/E5-2600 v2	Cisco UCS C240 M3
Oracle Linux 7.3 64-bit	Intel® Xeon® E5-2600 v3 & v4	Cisco UCS C240 M4
Oracle Linux 7.3 64-bit	Intel® Xeon® E7-2800 v2/E7-4800 v2, v3 & v4/E7-8800 v2 & v4	Cisco UCS C460 M4
Oracle Linux 7.3 64-bit	Intel® Xeon® E5-2600 v3	Dell PowerEdge FC630
Oracle Linux 7.3 64-bit	Intel® Xeon® E5-4600 v3	Dell PowerEdge FC830
Oracle Linux 7.3 64-bit	Intel® Xeon® E5-2600 v3	Dell PowerEdge M630 Blade
Oracle Linux 7.3 64-bit	Intel® Xeon® E5-4600 v4	Dell PowerEdge M830 Blade
Oracle Linux 7.3 64-bit	Intel® Xeon® E5-2600 v3	Dell PowerEdge R630
Oracle Linux 7.3 64-bit	Intel® Xeon® E5-2600 v3	Dell PowerEdge R730



Operating Environment	Processor	Hardware
Oracle Linux 7.3 64-bit	Intel® Xeon® E5-2600 v3	Dell PowerEdge R730xd
Oracle Linux 7.3 64-bit	Intel® Xeon® E7-4800 v4	Dell PowerEdge R930
Oracle Linux 7.3 64-bit	Intel® Xeon® E5-2600 v3	Dell PowerEdge T630
Oracle Linux 7.3 64-bit	Intel® Xeon® E7-4800 v2/E7-8800 v2	Fujitsu PRIMEQUEST 2400E
Oracle Linux 7.3 64-bit	Intel® Xeon® E7-8800 v3	Fujitsu PRIMEQUEST 2400E2
Oracle Linux 7.3 64-bit	Intel® Xeon® E7-8800 v4	Fujitsu PRIMEQUEST 2400E3
Oracle Linux 7.3 64-bit	Intel® Xeon® E7-4800 v2	Fujitsu PRIMEQUEST2400L
Oracle Linux 7.3 64-bit	Intel® Xeon® E7-8800 v3	Fujitsu PRIMEQUEST2400L2
Oracle Linux 7.3 64-bit	Intel® Xeon® E7-8800 v4	Fujitsu PRIMEQUEST 2400L3
Oracle Linux 7.3 64-bit	Intel® Xeon® E7-4800 v2	Fujitsu PRIMEQUEST 2400S
Oracle Linux 7.3 64-bit	Intel® Xeon® E7-4800 v2	Fujitsu PRIMEQUEST 2400S Lite
Oracle Linux 7.3 64-bit	Intel® Xeon® E7-8800 v3	Fujitsu PRIMEQUEST 2400S2
Oracle Linux 7.3 64-bit	Intel® Xeon® E7-8800 v3	Fujitsu PRIMEQUEST 2400S2 Lite
Oracle Linux 7.3 64-bit	Intel® Xeon® E7-8800 v4	Fujitsu PRIMEQUEST 2400S3
Oracle Linux 7.3 64-bit	Intel® Xeon® E7-8800 v4	Fujitsu PRIMEQUEST 2400S3 Lite
Oracle Linux 7.3 64-bit	Intel® Xeon® E7-8800 v2	Fujitsu PRIMEQUEST 2800B
Oracle Linux 7.3 64-bit	Intel® Xeon® E7-8800 v3	Fujitsu PRIMEQUEST 2800B2
Oracle Linux 7.3 64-bit	Intel® Xeon® E7-8800 v4	Fujitsu PRIMEQUEST 2800B3
Oracle Linux 7.3 64-bit	Intel® Xeon® E7-8800 v2	Fujitsu PRIMEQUEST 2800E
Oracle Linux 7.3 64-bit	Intel® Xeon® E7-8800 v3	Fujitsu PRIMEQUEST 2800E2
Oracle Linux 7.3 64-bit	Intel® Xeon® E7-8800 v4	Fujitsu PRIMEQUEST 2800E3
Oracle Linux 7.3 64-bit	Intel® Xeon® E7-8800 v2	Fujitsu PRIMEQUEST 2800L
Oracle Linux 7.3 64-bit	Intel® Xeon® E7-8800 v3	Fujitsu PRIMEQUEST 2800L2
Oracle Linux 7.3 64-bit	Intel® Xeon® E7-8800 v4	Fujitsu PRIMEQUEST 2800L3
Oracle Linux 7.3 64-bit	Intel® Xeon® E5-2600 v3	Fujitsu PRIMERGY BX2580 M1
Oracle Linux 7.3 64-bit	Intel® Xeon® E5-2600 v4	Fujitsu PRIMERGY BX2580 M2
Oracle Linux 7.3 64-bit	Intel® Xeon® E5-2600 v3	Fujitsu PRIMERGY RX2530 M1
Oracle Linux 7.3 64-bit	Intel® Xeon® E5-2600 v4	Fujitsu PRIMERGY RX2530 M2
Oracle Linux 7.3 64-bit	Intel® Xeon® E5-2600 v3	Fujitsu PRIMERGY RX2540 M1
Oracle Linux 7.3 64-bit	Intel® Xeon® E5-2600 v4	Fujitsu PRIMERGY RX2540 M2
Oracle Linux 7.3 64-bit	Intel® Xeon® E7-4800 v2/E7-8800 v2	Fujitsu PRIMERGY RX4770 M1
Oracle Linux 7.3 64-bit	Intel® Xeon® E7-4800 v3/E7-8800 v3	Fujitsu PRIMERGY RX4770 M2
Oracle Linux 7.3 64-bit	Intel® Xeon® E7-4800 v4/E7-8800 v4	Fujitsu PRIMERGY RX4770 M3
Oracle Linux 7.3 64-bit	Intel® Xeon® E5-2600 v4	Hitachi Compute Blade 2500 CB520H B4
Oracle Linux 7.3 64-bit	Intel® Xeon® E7-8800 v2	Hitachi Compute Blade 2500 CB520X B2
Oracle Linux 7.3 64-bit	Intel® Xeon® E7-8800 v3	Hitachi Compute Blade 2500 CB520X B3
Oracle Linux 7.3 64-bit	Intel® Xeon® E5-2600 v4	Hitachi Compute Blade 500 CB520H B4
Oracle Linux 7.3 64-bit	Intel® Xeon® E7-8800 v2	Hitachi Compute Blade 500 CB520X B2
Oracle Linux 7.3 64-bit	Intel® Xeon® E5-2600 v4	Hitachi QuantaGrid D51B-2U
Oracle Linux 7.3 64-bit	Intel® Xeon® E5-2600 v3 & v4	Hitachi QuantaPlex T41S-2U

Operating Environment	Processor	Hardware
Oracle Linux 7.3 64-bit	Intel® Xeon® E7-4800 v4/E7-8800 v4	HPE Integrity MC990 X
Oracle Linux 7.3 64-bit	Intel® Xeon® E5-2600 v2	HPE ProLiant BL460c Gen8
Oracle Linux 7.3 64-bit	Intel® Xeon® E5-2600 v3	HPE ProLiant BL460c Gen9
Oracle Linux 7.3 64-bit	Intel® Xeon® E5-4600 v3	HPE ProLiant BL660c Gen9
Oracle Linux 7.3 64-bit	Intel® Xeon® E5-2600 v3 & v4	HPE ProLiant DL160 Gen9
Oracle Linux 7.3 64-bit	Intel® Xeon® E5-2600 v3 & v4	HPE ProLiant DL180 Gen9
Oracle Linux 7.3 64-bit	Intel® Pentium® G2120 & Intel® Xeon® E3-1200 v2	HPE ProLiant DL320e Gen8
Oracle Linux 7.3 64-bit	Intel® Pentium® G3200-series/G3420, Core i3-4100-series/Intel® Xeon® E3-12 v3	HPE ProLiant DL320e Gen8 v2
Oracle Linux 7.3 64-bit	Intel® Xeon® E5-2600 v3 & v4	HPE ProLiant DL360 Gen9
Oracle Linux 7.3 64-bit	Intel® Xeon® E5-2400/E5-2400 v2	HPE ProLiant DL360e Gen8
Oracle Linux 7.3 64-bit	Intel® Xeon® E5-2600 v3 & v4	HPE ProLiant DL360p Gen8
Oracle Linux 7.3 64-bit	Intel® Xeon® E5-2600 v3 & v4	HPE ProLiant DL380 Gen9
Oracle Linux 7.3 64-bit	Intel® Xeon® E5-2400/E5-2400 v2	HPE ProLiant DL380e Gen8
Oracle Linux 7.3 64-bit	Intel® Xeon® E5-4600/E5-4600 v2	HPE ProLiant DL560 Gen8
Oracle Linux 7.3 64-bit	Intel® Xeon® E5-4600 v3 & v4	HPE ProLiant DL560 Gen9
Oracle Linux 7.3 64-bit	Intel® Xeon® E7-4800 v2/E7-8800 v2	HPE ProLiant DL580 Gen8
Oracle Linux 7.3 64-bit	Intel® Xeon® E7-4800 v3/E7-8800 v3	HPE ProLiant DL580 Gen9
Oracle Linux 7.3 64-bit	Intel® Xeon® E5-2600 v3 & v4	HPE ProLiant ML350 Gen9
Oracle Linux 7.3 64-bit	Intel® Xeon® E5-2600 v4	HPE Synergy 480 Gen9 Compute Module
Oracle Linux 7.3 64-bit	Intel® Xeon® E7-4800 v4/E7-8800 v4	HPE Synergy 620 Gen9 Compute Module
Oracle Linux 7.3 64-bit	Intel® Xeon® E7-4800 v4/E7-8800 v4	HPE Synergy 680 Gen9 Compute Module
Oracle Linux 7.3 64-bit	Intel® Xeon® E5-2600 v3	Inspur Yingxin NF5180M4
Oracle Linux 7.3 64-bit	Intel® Xeon® E5-2600 v3 & v4	Inspur Yingxin NF5280M4
Oracle Linux 7.3 64-bit	Intel® Xeon® E7-4800 v3 & v4/E7-8800 v3 & v4	Inspur Yingxin NX8480M4
Oracle Linux 7.3 64-bit	Intel® Xeon® E7-4800 v4/E7-8800 v4	NEC Express 5800/A1040d
Oracle Linux 7.3 64-bit	Intel® Xeon® E7-4800 v4/E7-8800 v4	NEC Express 5800/A2010d
Oracle Linux 7.3 64-bit	Intel® Xeon® E7-4800 v4/E7-8800 v4	NEC Express 5800/A2020d
Oracle Linux 7.3 64-bit	Intel® Xeon® E7-4800 v4/E7-8800 v4	NEC Express 5800/A2040d
Oracle Linux 7.3 64-bit	Intel® Xeon® E7-4800 v4/E7-8800 v4	NEC NX7700x/A4010M-4
Oracle Linux 7.3 64-bit	Intel® Xeon® E7-4800 v4/E7-8800 v4	NEC NX7700x/A4012L-1
Oracle Linux 7.3 64-bit	Intel® Xeon® E7-4800 v4/E7-8800 v4	NEC NX7700x/A4012L-2
Oracle Linux 7.3 64-bit	Intel® Xeon® E7-4800 v3/E7-8800 v3	NEC NX7700x/A4012M-4
Oracle Linux 7.3 64-bit	Intel® Xeon® E5-2600 v3	Oracle Netra Server X5-2
Oracle Linux 7.3 64-bit	Intel® Xeon® E5-2600 v3	Oracle Server X5-2
Oracle Linux 7.3 64-bit	Intel® Xeon® E5-2600 v3	Oracle Server X5-2L
Oracle Linux 7.3 64-bit	Intel® Xeon® E7-8800 v3	Oracle Server X5-4
Oracle Linux 7.3 64-bit	Intel® Xeon® E7-8800 v3	Oracle Server X5-8
Oracle Linux 7.3 64-bit	Intel® Xeon® E5-2600 v4	Oracle Server X6-2L
Oracle Linux 7.3 64-bit	Intel® Xeon® E5-2600 v4	Oracle Server X6-2M
Oracle Linux 7.3 64-bit	Intel® Xeon® x7500-series	Oracle Sun Fire X4470
Oracle Linux 7.3 64-bit	Intel® Xeon® x7500-series	Oracle Sun Fire X4800

Operating Environment	Processor	Hardware
Oracle Linux 7.3 64-bit	Intel® Xeon® E7-8800	Oracle Sun Server X2-8
Oracle Linux 7.3 64-bit	Intel® Xeon® E7-4800	Oracle Sun Server X2-4
Oracle Linux 7.3 64-bit	Intel® Xeon® E5-2600	Oracle Sun Server X3-2
Oracle Linux 7.3 64-bit	Intel® Xeon® E5-2600	Oracle Sun Server X3-2L
Oracle Linux 7.3 64-bit	Intel® Xeon® E5-2600 v2	Oracle Sun Server X4-2
Oracle Linux 7.3 64-bit	Intel® Xeon® E5-2600 v2	Oracle Sun Server X4-2L
Oracle Linux 7.3 64-bit	Intel® Xeon® E7-8800 v2	Oracle Sun Server X4-4
Oracle Linux 7.3 64-bit	Intel® Xeon® E7-8800 v2	Oracle Sun Server X4-8
Oracle Linux 7.3 64-bit	Intel® Xeon® E7-8800 v3 & v4	SGI UV 300RL
Oracle Linux 7.3 64-bit	Intel® Xeon® E7-4800 v4/E7-8800 v3 & v4	SGI UV 300
Oracle Linux 7.3 64-bit	AMD Opteron™ 6000	Sugon A840-G10
Oracle Linux 7.3 64-bit	Intel® Xeon® E5-2600 v3 & v4	Sugon CB50-G20
Oracle Linux 7.3 64-bit	Intel® Xeon® E7-4800 v2	Sugon CB80-G20
Oracle Linux 7.3 64-bit	Intel® Xeon® E7-4800 v4	Sugon CB80-G25
Oracle Linux 7.3 64-bit	AMD Opteron™ 6300	Sugon CB85-G10
Oracle Linux 7.3 64-bit	Intel® Xeon® E5-2600 v3	Sugon I610-G20
Oracle Linux 7.3 64-bit	Intel® Xeon® E5-2600 v3	Sugon I620-G20
Oracle Linux 7.3 64-bit	Intel® Xeon® E7-4800 v3 & v4	Sugon I840-G20
Oracle Linux 7.3 64-bit	Intel® Xeon® E7-4800 v2	Sugon I840-G25
Oracle Linux 7.3 64-bit	Intel® Xeon® E7-4800 v2 & v3/E7-8800 v2 & v3	Sugon I980-G20
Oracle Linux 7.3 64-bit	Intel® Xeon® E5-2600 v3 & v4	Sugon TC4600T

Table 8: Vendor Affirmed Operating Environment

CMVP makes no statement as to the correct operation of the module or the security strengths of the generated keys when so ported if the specific operational environment is not listed on the validation certificate.

6.3 Operational Environment Policy

The operating system is restricted to a single operator (concurrent operators are explicitly excluded). The entity using the application is the single user of the module. In FIPS Approved mode, the ptrace(2) system call, the debugger (gdb(1)), and strace(1) shall be not used.

7. Roles, Services and Authentication

7.1 Roles

The roles are implicitly assumed by the entity accessing the module services. The Module supports the following roles:

- **User Role:** Performs services to establish, maintain and close SSH session, show status and self tests
- **Crypto Officer Role:** Performs module installation and configuration and terminate ssh Application

7.2 FIPS Approved Services and Descriptions

The following table shows the available services, the roles allowed, the Critical Security Parameters (CSPs) involved and how they are accessed in the FIPS mode. In the table below, the “U” represents a User Role, and “CO” denotes a Crypto Officer role.

U	CO	Service Name	Service Description	Keys and CSP(s)	Access
X		Establish SSH Session	SSH authentication	RSA or ECDSA key pair	R, W, X
			Negotiate a SSH V2 key agreement	Diffie-Hellman or EC Diffie-Hellman key pair	
			Key derivation using SP800-135 SSH KDF	shared secret, derived session encryption keys (Triple-DES or AES), and derived data authentication (HMAC) keys	
X		Maintain SSH Session	Provide data encryption and data authentication over SSH V2 network protocol	Derived session encryption keys (Triple-DES or AES), and derived data authentication (HMAC) keys	R
X		Close SSH session	Zeroize SSH derived session encryption and data authentication keys by closing the SSH session	Derived session encryption key (Triple-DES or AES) and data authentication keys, Shared secret	Z
	X	Terminate SSH client application	Zeroize SSH derived session encryption and data authentication keys by terminating the SSH client application		
X		Self-Test	Perform on-demand self-tests	None	R, X
X		Show Status	Show status of the module	None	R, X
	X	Installation	Install the SSH Client	None	X
	X	Configure SSH Client	Configure the SSH Client	None	R, W, X

R – Read, W – Write, X – Execute, Z – Zeroize

Table 9: FIPS Approved Services and Descriptions



7.3 Non FIPS Approved Services and Descriptions

The following table shows Non FIPS approved services. Any use of these services will put the module in non-FIPS mode implicitly.

U	CO	Service Name	Service Description	Keys and CSP(s)	Access
X		Establish SSH Session	SSH authentication	RSA, DSA with keys listed in Table 5, Ed25519	R, W, X

R – Read, W – Write, X – Execute, Z – Zeroize

Table 10: Non FIPS Approved Services and Descriptions

7.4 Operator Authentication

The module does not support operator authentication mechanisms.

8. Key and CSP Management

The following keys, cryptographic key components and other critical security parameters are contained in the module.

CSP Name	Generation/Input	Use	Zeroization
Shared Secret	N/A (entered via API parameter from the bound OpenSSL module)	Shared secret used to derive session keys.	Zeroized by the closing the SSH session or terminating the ssh application
Derived session key (AES, Triple-DES,HMAC)	N/A (derived from the shared secret via SP800-135 SSH KDF)	SSH session keys used for encrypt/decrypt and data authentication operations.	
Client RSA private key	N/A (keys are read from the key file)	RSA Client private key used to authenticate SSH Client	
Client ECDSA private key		ECDSA private key used to authenticate SSH Client	
Client EC Diffie-Hellman private key	N/A (keys are entered from the bound OpenSSL Module via API parameters)	EC Diffie-Hellman private key used as part of the key agreement protocol.	
Client Diffie-Hellman private key		Diffie-Hellman private key used as part of the key agreement protocol.	

Table 11: CSP Table

8.1 Random Number and Key Generation

The module does not implement any random number generator nor does it provide key generation. The module only provides key derivation through the implementation of the SP 800-135 KDF.

When establishing the SSH Session, the module calls the bound OpenSSL module which generates the shared secret. The module derives keys from this shared secret applying SP 800-135 KDF. When the module requests encryption/decryption services provided by the OpenSSL bound module, the resulting derived symmetric key (i.e. the output of the SP 800-135 KDF) will be passed to the OpenSSL bound module via API parameters. The module does not support manual key entry.

8.2 Key/CSP Storage

The module does not perform persistent storage of keys. The keys and CSPs are temporarily stored as plaintext in the RAM. The client's public and private keys are stored in the key files in ~/.ssh directory, which are outside its logical boundary.

8.3 Key/CSP Zeroization

The destruction functions overwrite the memory occupied by keys with zeros and deallocates the memory with the free () call. In case of abnormal termination, or swap in/out of a physical memory page of a process, the keys in physical memory are overwritten before the physical memory is allocated to another process.

9. Self-Tests

9.1 Power-Up Self-Tests

The module performs power-up self-tests at module initialization to ensure that the module is not corrupted. The self-tests are automatically triggered without any user intervention.

While the module is performing the power-up tests, services are not available and input or output data is not possible: the module is not available for use until the self-tests are completed successfully.

9.1.1 Integrity Tests

The integrity check is performed by the fipscheck application using the HMAC-SHA-256 algorithm implemented by the bound Oracle Linux OpenSSL Cryptographic Module. When the OpenSSH module starts, it triggers the power-on self-tests which, includes the software integrity test.

The user space integrity verification is performed as follows: the OpenSSH Client application links with the library libfipscheck.so which is intended to execute fipscheck to verify the integrity of the OpenSSH Client application file using the HMAC-SHA-256 algorithm. Upon calling the FIPSCHECK_verify() function provided with libfipscheck.so, fipscheck is loaded and executed, and the following steps are performed:

1. OpenSSL, loaded by fipscheck, performs the integrity check of the OpenSSL library files using the HMAC-SHA-256 algorithm
2. fipscheck performs the integrity check of its application file using the HMAC-SHA-256 algorithm provided by the OpenSSL Module
3. fipscheck automatically verifies the integrity of libfipscheck.so before processing requests of calling applications
4. The fipscheck application performs the integrity check of the OpenSSH Client application file. The fipscheck computes the HMAC-SHA-256 checksum of that and compares the computed value with the value stored inside the /usr/lib64/fipscheck/<applicationfilename>.hmac checksum file. The fipscheck application returns the appropriate exit value based on the comparison result: zero if the checksum is OK, an error code otherwise (which brings the OpenSSH Module into the error state). The libfipscheck.so library reports the result to the OpenSSH Client application.

If any of those steps fail, an error code is returned and the OpenSSH Module enters the error state with the message 'FIPS integrity verification test failed'. In Error state, all data output is inhibited and no cryptographic operation is allowed. The module needs to be reloaded in order to recover from the Error state.

9.1.2 Cryptographic Algorithm Tests

The OpenSSH module will use the Oracle Linux OpenSSL Cryptographic Module as a bound module which provides the underlying cryptographic algorithms. All the known answer tests are implemented by the bound OpenSSL Modules.

9.2 On-Demand self-tests

The module provides the Self-Test service to perform self-tests on demand. On demand self-tests can be invoked by powering-off and reloading the module. This service performs the same tests executed during power-up. During the execution of the on-demand self-tests, crypto services are not available and no data output or input is possible.

10. Crypto-Officer and User Guidance

The following guidance items are to be used for assistance in maintaining the module's validated status while in use.

10.1 Crypto-Officer Guidance

The version of the RPM file containing the FIPS validated Module is stated in section 3.1 above. The Oracle Linux OpenSSL Cryptographic Module referenced in section 3.1 must be installed according to its Security Policy.

As stated in Guidance section of Oracle Linux OpenSSL Cryptographic Module security policy, after configuring the operating environment to support FIPS, the file `/proc/sys/crypto/fips_enabled` will contain 1. If the file does not exist or does not contain "1", the operating environment is not configured to support FIPS and the module will not operate as a FIPS validated module.

After performing the configuration, the Crypto Officer should proceed for module installation. The RPM package of the Module can be installed by standard tools recommended for the installation of Oracle packages on an Oracle Linux system (for example, yum, RPM, and the RHN remote management tool). The integrity of the RPM is automatically verified during the installation of the Module and the Crypto Officer shall not install the RPM file if the Oracle Linux Yum Server indicates an integrity error. The RPM files listed in section 3 are signed by Oracle and during installation; Yum performs signature verification which ensures as secure delivery of the cryptographic module. If the RPM packages are downloaded manually, then the CO should run `'rpm -K <rpm-file-name>'` command after importing the builder's GPG key to verify the package signature. In addition, the CO can also verify the hash of the RPM package to confirm a proper download.

10.1.1 OpenSSH Client Configuration

The user must not use DSA keys for performing SSH authentication as OpenSSH only allows DSA keys with 1024 bit size which are disallowed as per [SP800-131A].

The user must not accept DSA host keys potentially offered during the first contact of an SSH Client as OpenSSH only allows DSA keys with 1024 bit size which are disallowed as per [SP800- 131A].

When re-generating RSA host keys, the crypto officer should generate RSA keys with a size of 2048 bit or higher according to [SP800-131A]. The crypto officer should inform the user base to not use RSA keys with key sizes smaller than 2048 bits.

With operating environment setup as stated in the above section, the following restrictions are applicable. For the module, the mode of operation is implicitly assumed depending on the services/security functions invoked as stated in section 3.3 and the successive sections lists the available ciphers from the module. Any use of non-approved cipher or non-Approved key size will result in the module entering the non-FIPS mode of operation. No more cipher addition is possible by configuration or command line options.

- SSH protocol version 1 is not allowed
- GSSAPI is not allowed
- Only the following ciphers are allowed:
 - aes128-ctr
 - aes192-ctr
 - aes256-ctr



- aes128-cbc
- aes192-cbc
- aes256-cbc
- 3des-cbc
- rijndael-cbc@lysator.liu.se

Only the following message authentication codes are allowed:

- hmac-sha1
- hmac-sha2-256
- hmac-sha2-512
- hmac-sha1- etm@openssh.com
- hmac-sha2-256- etm@openssh.com
- hmac-sha2-512- etm@openssh.com

10.2 User Guidance

This module is used by connecting to it with SSH server. See the documentation of the client, e.g. the Oracle Linux 7 OpenSSH Server Cryptographic Module's Security Policy and the `ssh(1)` man page, for more information. Use the `'ssh username@hostname'` command to connect to the OpenSSH server. When connecting to a previously unknown server, the user will be prompted to verify a fingerprint of the server's public key. This must be done by consulting a trusted source.

10.2.1 Handling Self-Test Errors

The OpenSSH self-test consists of the software integrity test. If the integrity test fails, OpenSSH enters an error state. To recover from the error state, the module must be restarted. If the failure persists, the module must be reinstalled. The bound OpenSSL module's self tests failures will prevent OpenSSH from operating. See the Guidance section in the OpenSSL Security Policy for instructions on handling OpenSSL self-test failures.



11. Mitigation of Other Attacks

The Oracle Linux 7 OpenSSH Client cryptographic module does not mitigate against attacks.

Acronyms, Terms and Abbreviations

Term	Definition
AES	Advanced Encryption Standard
CMVP	Cryptographic Module Validation Program
CSP	Critical Security Parameter
DRBG	Deterministic Random Bit Generator
ECDSA	Elliptic Curve Digital Signature Algorithm
HMAC	(Keyed) Hash Message Authentication Code
KDF	Key Derivation Function
NIST	National Institute of Standards and Technology
PAA	Processor Algorithm Acceleration
PUB	Publication
SHA	Secure Hash Algorithm
SSH	Secure Shell

Table 12: Acronyms

References

The FIPS 140-2 standard, and information on the CMVP, can be found at <http://csrc.nist.gov/groups/STM/cmvp/index.html>. More information describing the module can be found on the Oracle web site at www.oracle.com.

This Security Policy contains non-proprietary information. All other documentation submitted for FIPS 140-2 conformance testing and validation is “Oracle - Proprietary” and is releasable only under appropriate non-disclosure agreements.

Document	Author	Title
FIPS PUB 140-2	NIST	FIPS PUB 140-2: Security Requirements for Cryptographic Modules
FIPS IG	NIST	Implementation Guidance for FIPS PUB 140-2 and the Cryptographic Module Validation Program
NIST SP 800-135	NIST	Recommendation for Existing Application-Specific Key Derivation Functions
NIST SP 800-131A	NIST	Recommendation for the Transitioning of Cryptographic Algorithms and Key Sizes

Table 13: References